



# Overhead Door and Desk Slides

4461D 5/8 Extension Variable Height Keyboard Slide. . . . . 55  
 8100 3/4 Extension Keyboard Slide . . . . . 56  
 8150, 8157 3/4 Extension Variable Height Keyboard Slides . . . . . 57  
 8200 3/4 Extension Pencil or Center Drawer Slide . . . . . 58  
 8250 3/4 Extension Variable Height Pencil or Center Drawer Slide . . . . . 59  
 8040, 8041, 8042, 8043, 8044, 8045 Hinged Door Slides . . . . . 60  
 8050 Hinged Door Slide . . . . . 61

	Mounting Style	Load Class	Type	Extension			Disconnect Type				Open/Close Features								
				Ball-Bearing	5/8 Extension	3/4 Extension	Full Extension	1" Over Travel	No Disconnect	Friction Release	Lever Release	Lift Out	Quick Disconnect	Hold In Anti-Rebound	Hold-Out / Open	Lock Open	Self-Close	Push-to-Open	Soft-Close
4461D	Under	75		•	•				•				•	•					•
8100	Under	75		•		•			•				•	•					
8150	Under	75		•		•				•			•	•					
8157	Under	75		•		•				•			•	•					•
8200	Under	75		•		•					•		•	•					
8250	Under	75		•		•				•			•	•					

# 4461D 5/8 Extension Variable Height Keyboard Slide



## Features

- Mounting brackets adjust to three heights and can be reversed for in-board and out-board mounting
- Anti-rebound stay-close design holds pencil drawer in closed position yet allows for easy opening
- Integrated shelf tabs

**Mounting:** Under surface

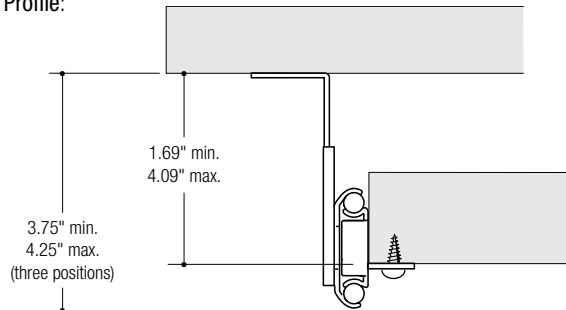
**Action:** Ball-bearing movement

**Load Rating:** 75 lb. class

**Height:** Overall drop height 3.75" to 4.25" in 1/2" increments

**Finish:** Black (BLK)

**Profile:**



## Configurations

Poly (P)	1 pair per bag with screws; 5 pairs per carton
<b>4461D Black (BLK) Finish</b>	
<b>Size</b>	<b>Poly (P)</b>
15"	4461D

### Recommended Fasteners

	#10 x 5/8" Phillips Pan Head
---	------------------------------

## 8100 3/4 Extension Keyboard Slide



### Features

- Hold-out feature keeps drawer securely in the open position
- Hold-in feature prevents keyboard tray bounce back

**Mounting:** Under surface

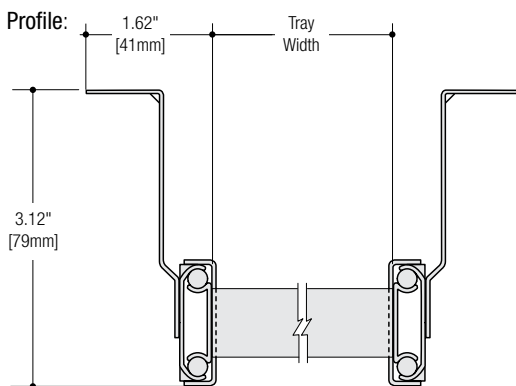
**Action:** Ball-bearing movement

**Load Rating:** 75 lb. class

**Height:** 3.12" [79mm] overall drop height


**Clearance:** 1.62" [41mm] per side

**Finish:** Anochrome (ANO)



### Configurations

Poly (P)	1 pair per bag with screws; 10 pairs per carton
<b>8100 Anochrome (ANO) Finish</b>	
<b>Size</b>	<b>Poly (P)</b>
14"	8100P 14
16"	8100P 16
18"	8100P 18
20"	8100P 20

Recommended Fasteners	KV Part	Finish	Qty
 #7 x 1/2" Phillips Pan Head	8500-93	Zinc (ZC)	1000

# 8150, 8157 3/4 Extension Variable Height Keyboard Slide



## Features

- Mounting brackets adjust to seven different heights and can be reversed for in-board/out-board mounting
- Track member quickly disconnects using positive lever release, easing installation
- Hold-out feature keeps drawer securely in the open position
- Hold-in feature prevents keyboard tray bounce back

**8150:** 3/4 extension keyboard slide

**8157:** 3/4 extension keyboard slide with shelf tabs

**Mounting:** Under surface

**Action:** Ball-bearing movement

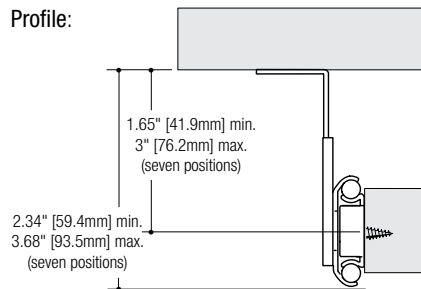
**Load Rating:** 75 lb. class

**Height:** Overall drop height adjusts from 2.34" [59.4mm] to 3.68" [93.5mm] in 7/32" increments

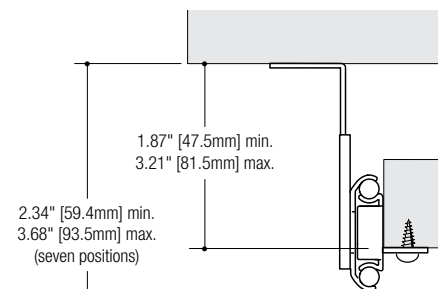
**Clearance:** 1.62" [41 mm] per side out-board  
.62" [15.7mm] per side in-board

**Finish:** Anochrome (ANO), Ebony Black (EB)

### Profile:



8150



8157

## Configurations

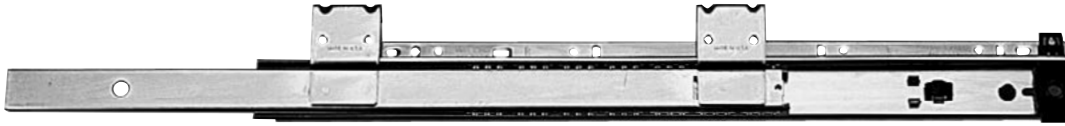


Poly (P)	1 pair per bag with screws; 10 pairs per carton	
Quantity (Q)	20 pairs without screws; multiple cartons	
<b>8150 Anochrome (ANO) Finish</b>		
<b>Size</b>	<b>Poly (P)</b>	<b>Quantity (Q)</b>
12"	8150P 12	8150Q 12
14"	8150P 14	8150Q 14
16"	8150P 16	8150Q 16
18"	8150P 18	8150Q 18
20"	8150P 20	8150Q 20
22"	–	8150Q 22
<b>8150 Ebony Black (EB) Finish</b>		
12"	8150P EB 12	–
14"	8150P EB 14	8150Q EB 14
16"	8150P EB 16	8150Q EB 16
18"	8150P EB 18	8150Q EB 18
20"	8150P EB 20	8150Q EB 20
<b>8157 Anochrome (ANO) Finish</b>		
14"	8157P 14	–
16"	8157P 16	–
18"	8157P 18	–
20"	8157P 20	–
<b>8157 Ebony Black (EB) Finish</b>		
14"	8157P EB 14	–
16"	8157P EB 16	–
18"	8157P EB 18	–
20"	8157P EB 20	–

Recommended Fasteners		KV Part	Finish	Qty
	#7 x 1/2" Phillips Pan Head	8500-93	Zinc (ZC)	1000

☐ Non-stock item – minimum order quantities and additional lead time may apply.

# 8200 3/4 Extension Pencil or Center Drawer Slide



## Features

- Quick disconnect drawer members
- Anti-rebound stay-close design holds pencil drawer in closed position yet allows for easy opening

**Mounting:** Under surface

**Action:** Ball-bearing movement

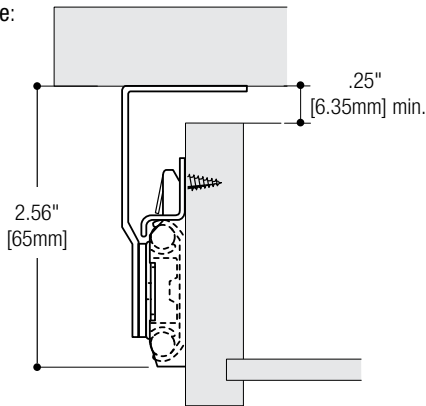
**Load Rating:** 75 lb. class

**Height:** 2.56" [65mm] overall

**Clearance:** 1.62" [41mm] per side out-board  
.62" [15.7mm] per side in-board


**Finish:** Anochrome (ANO), Ebony Black (EB)

**Profile:**



## Configurations

Poly (P)	1 pair per bag with screws; 10 pairs per carton	
Quantity (Q)	20 pairs without screws; multiple cartons	
<b>8200 Anochrome (ANO) Finish</b>		
<b>Size</b>	<b>Poly (P)</b>	<b>Quantity (Q)</b>
12"	8200P 12	8200Q 12
14"	8200P 14	8200Q 14
16"	8200P 16	8200Q 16
18"	8200P 18	8200Q 18
20"	8200P 20	8200Q 20
22"	8200P 22	8200Q 22
24"	8200P 24	8200Q 24
<b>8200 Ebony Black (EB) Finish</b>		
12"	–	8200Q EB 12
14"	–	8200Q EB 14
16"	–	8200Q EB 16
18"	–	8200Q EB 18
20"	–	8200Q EB 20
22"	–	8200Q EB 22
24"	–	8200Q EB 24

Recommended Fasteners		KV Part	Finish	Qty
	#7 x 1/2" Phillips Pan Head	8500-93	Zinc (ZC)	1000

☐ Non-stock item – minimum order quantities and additional lead time may apply.

# 8250 3/4 Extension Variable Height Pencil or Center Drawer Slide



## Features

- Mounting brackets adjust to seven heights and can be reversed for in-board and out-board mounting
- Anti-rebound stay-close design holds pencil drawer in closed position yet allows for easy opening
- Track member quickly disconnects using positive lever releases

**Mounting:** Under surface

**Action:** Ball-bearing movement

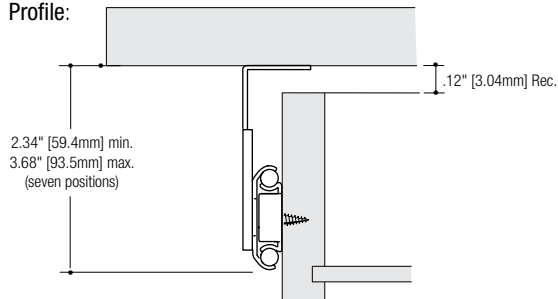
**Load Rating:** 75 lb. class

**Height:** Overall drop height 2.34" [59.4mm] to 3.68" [93.5mm] in 7/32" increments

**Clearance:** 1.62" [41mm] per side out-board  
.53" [13.5mm] per side in-board

**Finish:** Anochrome (ANO), Ebony Black (EB)


**Profile:**



## Configurations



Poly (P)	1 pair per bag with screws; 10 pairs per carton	
Quantity (Q)	20 pairs without screws; multiple cartons	
<b>8250 Anochrome (ANO) Finish</b>		
<b>Size</b>	<b>Poly (P)</b>	<b>Quantity (Q)</b>
10"	8250P 10	8250Q 10
12"	8250P 12	8250Q 12
14"	8250P 14	8250Q 14
16"	8250P 16	8250Q 16
18"	8250P 18	8250Q 18
20"	8250P 20	8250Q 20
22"	8250P 22	8250Q 22
<b>8250 Ebony Black (EB) Finish</b>		
12"	–	8250Q EB 12
14"	–	8250Q EB 14
16"	–	8250Q EB 16
18"	–	8250Q EB 18
20"	–	8250Q EB 20
22"	–	8250Q EB 22
24"	–	8250Q EB 24

Recommended Fasteners		KV Part	Finish	Qty
	#7 x 1/2" Phillips Pan Head	8500-93	Zinc (ZC)	1000

■ Non-stock item – minimum order quantities and additional lead time may apply.



# 8040, 8041, 8042, 8043, 8044, 8045 Hinged Door Slides



## Features

- One piece, non-marring roller
- Permanently staked hinge pin

- 8040EZ: 3/4" offset hinge  
 8041EZ: 3/4" offset hinge and mounting brackets  
 8042EZ: 1" offset hinge  
 8043EZ: 1" offset hinge and mounting brackets  
 8044EZ: 3/4" straight hinge  
 8045EZ: 3/4" straight hinge and mounting brackets

**Mounting:** Hinge mounts to top of case, and the slide mounts to backside of door

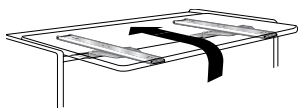
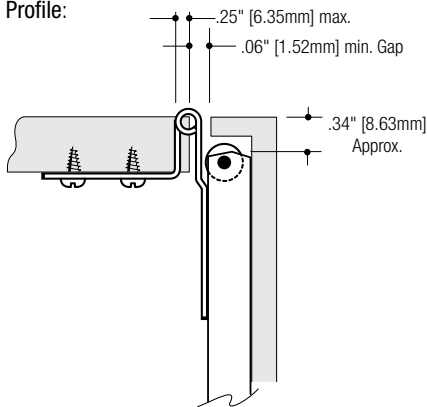
**Action:** Ball-bearing movement

**Load Rating:** 20 lb. class

**Clearance:** .37" [9.5mm] low profile mounts to rear side of door

**Finish:** Anochrome (ANO), Ebony Black (EB)

## Profile:



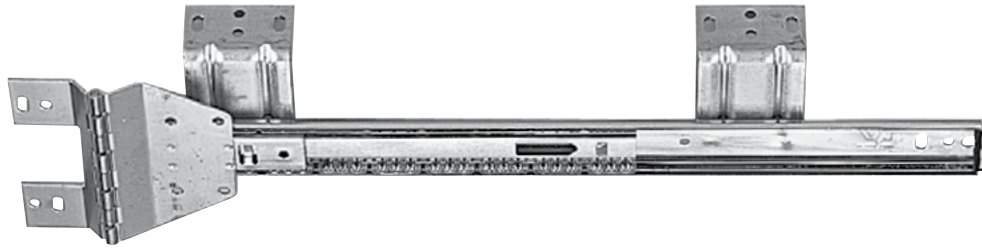
Up and over application

## Configurations

Bulk (B)	10 pairs per carton without screws			
Poly (P)	1 pair per bag with screws; 10 pairs per carton			
<b>8040 Anochrome (ANO) Finish</b>				
<b>Size</b>	<b>Bulk (B)</b>			<b>Poly (P)</b>
12"	8040BEZ 12			8040PEZ 12
14"	8040BEZ 14			8040PEZ 14
16"	8040BEZ 16			8040PEZ 16
18"	8040BEZ 18			8040PEZ 18
20"	8040BEZ 20			8040PEZ 20
22"	8040BEZ 22			8040PEZ 22
24"	8040BEZ 24			8040PEZ 24
<b>8040 Ebony Black (EB) Finish</b>				
12"	8040BEZ EB 12			8040PEZ EB 12
14"	8040BEZ EB 14			8040PEZ EB 14
16"	8040BEZ EB 16			8040PEZ EB 16
18"	8040BEZ EB 18			8040PEZ EB 18
20"	8040BEZ EB 20			8040PEZ EB 20
22"	8040BEZ EB 22			8040PEZ EB 22
24"	8040BEZ EB 24			8040PEZ EB 24
<b>8041-8045 Anochrome (ANO) Special Order Products</b>				
8041EZ	8042EZ	8043EZ	8044EZ	8045EZ
<b>8041-8045 Ebony Black (EB) Special Order Products</b>				
8041EZ EB	8042EZ EB	8043EZ EB	8044EZ EB	8045EZ EB
<b>Recommended Fasteners</b>		<b>KV Part</b>	<b>Finish</b>	<b>Qty</b>
 #7 x 1/2" Phillips Pan Head		8500-93	Zinc (ZC)	1000

☐ Non-stock item – minimum order quantities and additional lead time may apply.

# 8050 Hinged Door Slide



## Features

- One-piece, non-marring roller
- Permanently staked hinge pin

**Mounting:** Under surface

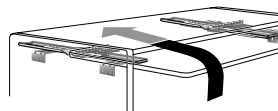
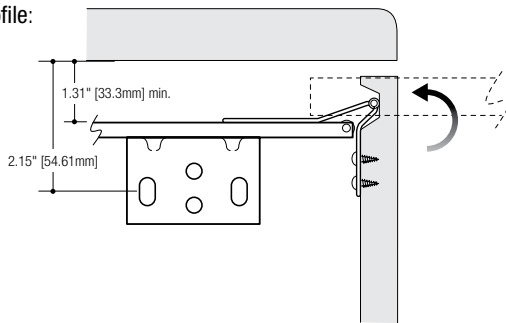
**Action:** Ball-bearing movement

**Load Rating:** 20 lb. class

**Clearance:** 1.31" [33.3mm] minimum

**Finish:** Anochrome (ANO)


**Profile:**



Up and under application

## Configurations

Poly (P)	1 pair per bag with screws; 10 pairs per carton	
Quantity (Q)	20 pairs without screws; multiple cartons	
<b>8050 Anochrome (ANO) Finish</b>		
<b>Size</b>	<b>Poly (P)</b>	<b>Quantity (Q)</b>
12"	8050PEZ 12	8050QEZ 12
14"	8050PEZ 14	8050QEZ 14
16"	8050PEZ 16	8050QEZ 16
18"	8050PEZ 18	8050QEZ 18
20"	8050PEZ 20	8050QEZ 20
22"	8050PEZ 22	8050QEZ 22
24"	8050PEZ 24	8050QEZ 24

Recommended Fasteners		KV Part	Finish	Qty
	#7 x 1/2" Phillips Pan Head	8500-93	Zinc (ZC)	1000

☐ Non-stock item – minimum order quantities and additional lead time may apply.