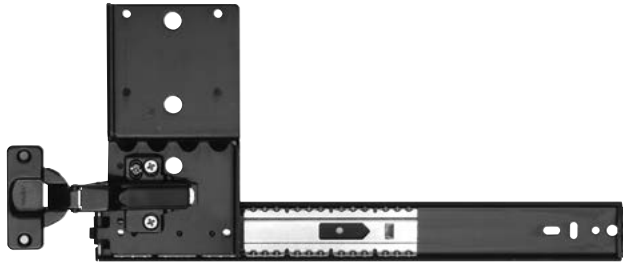


Door Slides and Hinge Kits

8070, 8071, 8072 Pivot Door Slides.....	63
8080, 8081, 8082 Pivot Door Slides.....	64
8091, 8092 Pivot Door Slides	65
4x4 Pocket Door Full Overlay Kit.....	66
Salice Hinge Kits	67

8070, 8071, 8072 Pivot Door Slides



Features

- Cabinet acts as installation jig
- Cushioned stops and door hold-out
- Three-way adjustable door hinge

8070: 3/4 extension slide with self-close 35mm hinge

8071: 3/4 extension slide without hinge and base

8072: 3/4 extension slide with included hinge base

Mounting: Side

Action: Ball-bearing movement

Load Rating: 30 lb. class

Maximum

Dimensions: Vertical doors: 42" high x 24" wide

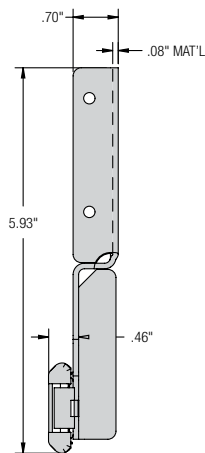
Horizontal pivot doors: 24" high x 48" wide

Clearance:

Maximum Slide Width Including Hinges		
Type	Standard	Salice
Self-close hinge	1-23/32"	1-21/32"
Free-swing hinge	1-23/32"	1-21/32"
Overlay hinge	1-23/32"	1-7/8"
Thick door hinge	2-3/32"	-
Extra-thick door hinge	2-13/32"	2-5/16"

Finish: Ebony Black (EB)

Profile:



8090P CR Raised Panel Cassette Roller



Additional protection for raised panel doors

Product	Pack
8090P CR	1 per poly pack with screws

Configurations

Poly (P)		1 pair per bag with screws; 10 pairs per carton			
8070EZ Ebony Black (EB)		8071EZ Ebony Black (EB)		8072EZ Ebony Black (EB)	
Includes standard 3/4 inset hinge and baseplate		Hinges and baseplates are not included		Baseplate included; Must order hinges separately	
Size	Poly (P)	Size	Poly (P)	Size	Poly (P)
12"	8070PEZ EB 12	12"	8071PEZ EB 12	12"	8072PEZ EB 12
14"	8070PEZ EB 14	14"	8071PEZ EB 14	14"	8072PEZ EB 14
16"	8070PEZ EB 16	16"	8071PEZ EB 16	16"	8072PEZ EB 16
18"	8070PEZ EB 18	18"	8071PEZ EB 18	18"	8072PEZ EB 18
20"	8070PEZ EB 20	20"	8071PEZ EB 20	20"	8072PEZ EB 20
22"	8070PEZ EB 22	22"	8071PEZ EB 22	22"	8072PEZ EB 22
24"	8070PEZ EB 24	24"	8071PEZ EB 24	24"	8072PEZ EB 24

Recommended Fasteners		KV Part	Finish	Qty
	#6 x 13/32" Phillips Pan Head	1300-83	Zinc (ZC)	1000

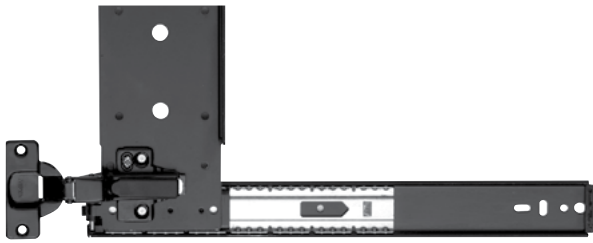
Hinge Kit Options



Hinge Kit (K)		2 hinges per kit; 10 kits per carton	
Nickel Hinges (For Use with 8072)			
Kit (K)	Hinge Cup Size	Door Thickness	Application
8080 HKEZS	35 mm	3/4"	Inset
8080 HKEZL	40 mm	3/4"	Overlay
8080 HKEZF	35 mm	3/4"	Inset - Free Swing
8085 HKEZT	40 mm	1"	Inset - Thick Door
8086 HKEZX	40 mm	1-1/4"	Inset - Extra Thick Door
Ebony Black (EB) Hinges (For Use with 8072)			
Kit (K)	Hinge Cup Size	Door Thickness	Application
8080 HKEZS EB	35 mm	3/4"	Inset
8080 HKEZL EB	40 mm	3/4"	Overlay
8085 HKEZT EB	40 mm	1"	Inset - Thick Door
8086 HKEZX EB	40 mm	1-1/4"	Inset - Extra Thick Door
Salice Hinges (For Use with 8071) Nickel Finish			
Kit (K)	Hinge Cup Size	Door Thickness	Application
8080 HKS SAL	35 mm	3/4"	Inset
8080 HKF SAL	35 mm	3/4"	Inset - Free Swing
8080 HKL SAL	40 mm	3/4"	Overlay
8086 HKX SAL	40 mm	1-1/4"	Inset - Thick Door
Salice Hinges (For Use with 8071) Ebony Black (EB) Finish			
Kit (K)	Hinge Cup Size	Door Thickness	Application
8080 HKS SAL EB	35 mm	3/4"	Inset
8080 HKL SAL EB	40 mm	3/4"	Overlay
8086 HKX SAL EB	40 mm	1-1/4"	Inset - Thick Door

For additional information on our salice hinge offerings please see page 67.

8080, 8081, 8082 Pivot Door Slides



Features

- Cushioned stops and door hold-out
- Three-way adjustable door hinge

8080: 3/4 extension slide with self-close 35mm hinge

8081: 3/4 extension slide without hinge and base

8082: 3/4 extension slide with attached hinge base

Mounting: Side

Action: Ball-bearing movement

Load Rating: 30 lb. class

Maximum

Dimensions: Vertical doors: 42" high x 24" wide

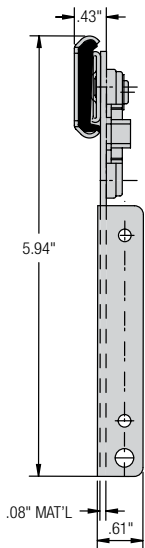
Horizontal pivot doors: 24" high x 48" wide

Clearance:

Maximum Slide Width Including Hinges		
Type	Standard	Salice
Self-close hinge	1-23/32"	1-21/32"
Free-swing hinge	1-23/32"	1-21/32"
Overlay hinge	1-23/32"	1-7/8"
Thick door hinge	2-3/32"	-
Extra-thick door hinge	2-13/32"	2-5/16"

Finish: Anochrome (ANO) Ebony Black (EB)

Profile:



8090P CR Raised Panel Cassette Roller



Additional protection for raised panel doors

Product	Pack
8090P CR	1 per poly pack with screws

Configurations



Poly (P) 1 pair per bag with screws; 10 pairs per carton					
8080EZ Anochrome (ANO)		8081EZ Anochrome (ANO)		8082EZ Anochrome (ANO)	
Includes hinges and bases		No hinges or bases		Hinge base only	
Size	Poly (P)	Size	Poly (P)	Size	Poly (P)
12"	8080PEZ 12	12"	8081PEZ 12	12"	8082PEZ 12
14"	8080PEZ 14	14"	8081PEZ 14	14"	8082PEZ 14
16"	8080PEZ 16	16"	8081PEZ 16	16"	8082PEZ 16
18"	8080PEZ 18	18"	8081PEZ 18	18"	8082PEZ 18
20"	8080PEZ 20	20"	8081PEZ 20	20"	8082PEZ 20
22"	8080PEZ 22	22"	8081PEZ 22	22"	8082PEZ 22
24"	8080PEZ 24	24"	8081PEZ 24	24"	8082PEZ 24
8080EZ Ebony Black (EB)		8081EZ Ebony Black (EB)		8082EZ Ebony Black (EB)	
12"	8080PEZ EB 12	12"	8081PEZ EB 12	12"	8082PEZ EB 12
14"	8080PEZ EB 14	14"	8081PEZ EB 14	14"	8082PEZ EB 14
16"	8080PEZ EB 16	16"	8081PEZ EB 16	16"	8082PEZ EB 16
18"	8080PEZ EB 18	18"	8081PEZ EB 18	18"	8082PEZ EB 18
20"	8080PEZ EB 20	20"	8081PEZ EB 20	20"	8082PEZ EB 20
22"	8080PEZ EB 22	22"	8081PEZ EB 22	22"	8082PEZ EB 22
24"	8080PEZ EB 24	24"	8081PEZ EB 24	24"	8082PEZ EB 24

Recommended Fasteners	KV Part	Finish	Qty
#6 x 13/32" Phillips Pan Head	1300-83	Zinc (ZC)	1000

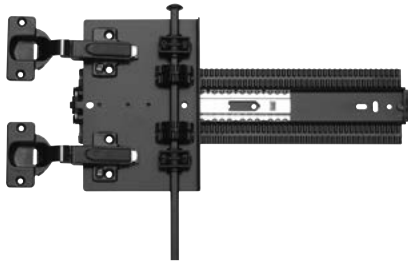
Hinge Kit Options



Hinge Kit (K) 2 hinges per kit; 10 kits per carton			
Hinge Pack (P) 40 hinges per carton			
Nickel Hinges (For Use with 8082P and 8082Q)			
Kit (K)	Hinge Cup Size	Door Thickness	Application
8080 HKEZS	35 mm	3/4"	Inset
8080 HKEZL	40 mm	3/4"	Overlay
8080 HKEZF	35 mm	3/4"	Inset - Free Swing
8085 HKEZT	40 mm	1"	Inset - Thick Door
8086 HKEZX	40 mm	1-1/4"	Inset - Extra Thick Door
Ebony Black (EB) Hinges (For Use with 8082P and 8082Q)			
Kit (K)	Hinge Cup Size	Door Thickness	Application
8080 HKEZS EB	35 mm	3/4"	Inset
8080 HKEZL EB	40 mm	3/4"	Overlay
8085 HKEZT EB	40 mm	1"	Inset - Thick Door
8086 HKEZX EB	40 mm	1-1/4"	Inset - Extra Thick Door
Salice Hinges (For Use with 8081P) Nickel Finish			
Kit (K)	Hinge Cup Size	Door Thickness	Application
8080 HKS SAL	35 mm	3/4"	Inset
8080 HKF SAL	35 mm	3/4"	Inset - Free Swing
8080 HKL SAL	40 mm	3/4"	Overlay
8086 HKX SAL	40 mm	1-1/4"	Inset - Thick Door
Salice Hinges (For Use with 8081P) Ebony Black (EB) Finish			
Kit (K)	Hinge Cup Size	Door Thickness	Application
8080 HKS SAL EB	35 mm	3/4"	Inset
8080 HKL SAL EB	40 mm	3/4"	Overlay
8086 HKX SAL EB	40 mm	1-1/4"	Inset - Thick Door

For additional information on our salice hinge offerings please see page 67.

8091, 8092 Pivot Door Slides



Features

- Rack and pinion design
- Multiple hinge options
- Greatly reduces door sag

8091: Hinge and baseplate not included
 8092: Baseplate attached; hinge must be ordered separately

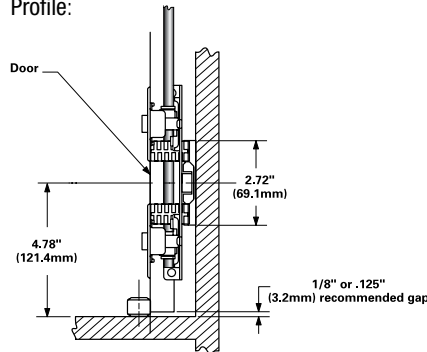
Mounting: Side
 Action: Ball-bearing movement
 Load Rating: 75 lb. class

Maximum Dimensions: Vertical doors: 72" high x 26" wide
 Clearance:

Maximum Slide Width Including Hinges		
Type	Standard	Salice
Self-close hinge	1-23/32"	1-21/32"
Free-swing hinge	1-23/32"	1-21/32"
Overlay hinge	1-23/32"	1-7/8"
Thick door hinge	2-3/32"	—
Extra-thick door hinge	2-13/32"	2-5/16"

Finish: Ebony Black (EB)

Profile:



8090P CR Raised Panel Cassette Roller



Additional protection for raised panel doors

Product	Pack
8090P CR	1 per poly pack with screws

Configurations

Poly (P)		1 pair per bag with screws; 6 pairs per carton	
8091 Ebony Black (EB)		8092 Ebony Black (EB)	
Size	Poly (P)	Size	Poly (P)
12"	8091P EB 12	12"	8092P EB 12
13"	8091P EB 13	13"	8092P EB 13
14"	8091P EB 14	14"	8092P EB 14
15"	8091P EB 15	15"	8092P EB 15
16"	8091P EB 16	16"	8092P EB 16
18"	8091P EB 18	18"	8092P EB 18
20"	8091P EB 20	20"	8092P EB 20
22"	8091P EB 22	22"	8092P EB 22
24"	8091P EB 24	24"	8092P EB 24
26"	8091P EB 26	26"	8092P EB 26
28"	8091P EB 28	28"	8092P EB 28
30"	8091P EB 30	30"	8092P EB 30

Recommended Fasteners	KV Part	Finish	Qty
#6 x 13/32" Phillips Pan Head	1300-83	Zinc (ZC)	1000

Hinge Kit Options



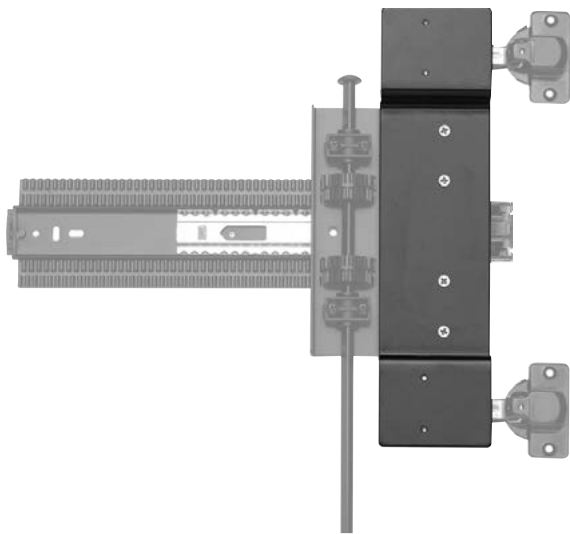
Hinge Kit (K)		2 hinges per kit; 10 kits per carton	
Nickel Hinges (For Use with 8092)			
Kit (K)	Hinge Cup Size	Door Thickness	Application
8080 HKEZS	35 mm	3/4"	Inset
8080 HKEZL	40 mm	3/4"	Overlay
8080 HKEZF	35 mm	3/4"	Inset - Free Swing
8085 HKEZT	40 mm	1"	Inset - Thick Door
8086 HKEZX	40 mm	1-1/4"	Inset - Extra Thick Door
Ebony Black (EB) Hinges (For Use with 8092)			
Kit (K)	Hinge Cup Size	Door Thickness	Application
8080 HKEZS EB	35 mm	3/4"	Inset
8080 HKEZL EB	40 mm	3/4"	Overlay
8085 HKEZT EB	40 mm	1"	Inset - Thick Door
8086 HKEZX EB	40 mm	1-1/4"	Inset - Extra Thick Door
Salice Hinges (For Use with 8091) Nickel Finish			
Kit (K)	Hinge Cup Size	Door Thickness	Application
8080 HKS SAL	35 mm	3/4"	Inset
8080 HKF SAL	35 mm	3/4"	Inset - Free Swing
8080 HKL SAL	40 mm	3/4"	Overlay
8086 HKX SAL	40 mm	1-1/4"	Inset - Thick Door
Salice Hinges (For Use with 8091) Ebony Black (EB) Finish			
Kit (K)	Hinge Cup Size	Door Thickness	Application
8080 HKS SAL EB	35 mm	3/4"	Inset
8080 HKL SAL EB	40 mm	3/4"	Overlay
8086 HKX SAL EB	40 mm	1-1/4"	Inset - Thick Door

For additional information on our salice hinge offerings please see page 67.

8090B Pinion Shafts for 4x4 Pocket Door Slides

SB Pack (SB) - 1 pair of shafts		Bulk Pack (B) - 10 each	
8090B Pinion Shaft Ebony Black (EB) Finish			
Size	Bulk (B)	Quantity	
36"	8090B EB 36	10	
48"	8090B EB 48	10	
72"	8090B EB 72	10	
8092SB Pinion Shaft Ebony Black (EB) Finish			
36"	8092SB EB 36	2	
48"	8092SB EB 48	2	
72"	8092SB EB 72	2	

4x4 Pocket Door Full Overlay Kit



Features

- Provides a full door overlay on doors up to .75" thick
- Does not compromise key performance features of 4x4 pocket door system
- Systems for both Mepla and Salice hinges

Mounting: Mounts directly to KV 8091 Series slide

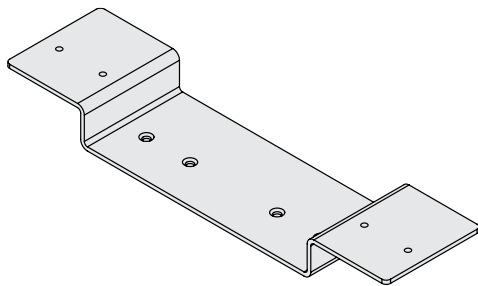
Load Rating: 75 lb. class

Finish: Black

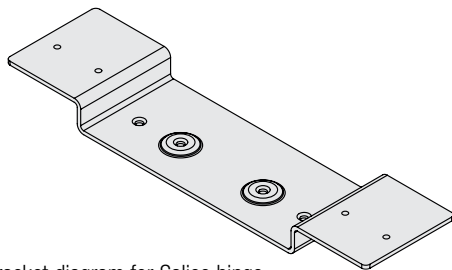
Configurations

	Brackets	Overlay Hinges	Hinge Bases	Hinge Cover Base	Protective Felt Pads	Packed
Poly (P)	Qty: 2	Qty: 4	Qty: 4	Qty: 4	Qty: 4	6 kits/ carton
8091 Full Overlay Pocket Door Kit Black (BLK) Finish						
Poly (P)	Hinge					
8091FULL3/4 M	Mepla					
8091FULL3/4 S	Salice					

8091 Full Overlay Pocket Door Kit Black (BLK) Finish		
Door Thickness	Amount of Overlay	Pocket Width
3/4"	3/4"	1-3/4"
13/16"	11/16"	1-13/16"
7/8"	5/8"	1-7/8"
15/16"	9/16"	1-15/16"
1"	1/2"	2"
1-1/16"	7/16"	2-1/16"
1-1/8"	3/8"	2-1/8"
1-3/16"	5/16"	2-3/16"
1-1/4"	1/4"	2-1/4"



Bracket diagram for Mepla hinge

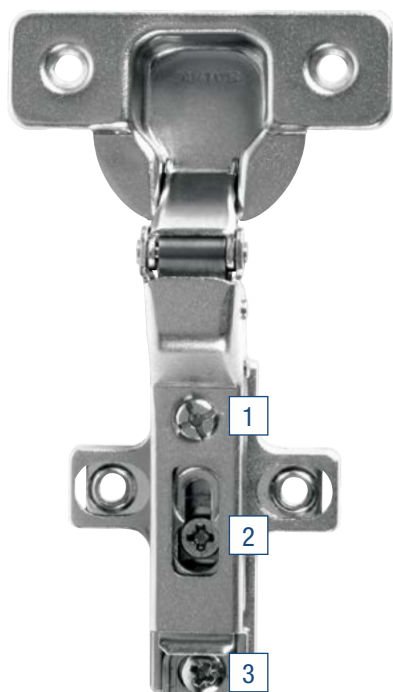


Bracket diagram for Salice hinge

Full Overlay Kit Installation Requirements

- Overlay kits require the use of a KV 8091 series slide
- Overlay kits require the use of a pinion shaft
- Overlay kits require the use of a partition wall within the cabinet

Salice Hinge Kits



1. **Depth Adjustment Cam**
The horizontal (lateral) adjustment range is 6mm.
The depth adjustment range is 3.1 mm (-0.5mm to +2.8mm) for all hinge bases.
2. **Horizontal (Lateral) Adjustment Cam**
The horizontal (lateral) adjustment range is 6mm (-1.5mm to +4.5mm for 35mm cup hinges; -0.5mm to +5.5mm for 40mm cup hinges), while maintaining a constant gap behind the door.
3. **Vertical (Height) Adjustment Cam**
The vertical (height) adjustment range is 4mm (-2mm to +2mm).

Features

- Three-way cam hinges for easy adjustment
- Horizontal, vertical and depth changes can be made without loosening any screws
- Four types of hinges for a variety of application

Clearance: 8080 HKS standard hinge: 1-21/32"
8080 HKF free swing hinge: 1-21/32"
8080 HKL partial overlay hinge: 1-37/64"
8080 HKX extra thick door hinge: 1-37/64"

Finish: Black (BLK), Nickel (NP)

Configurations

Pack Configurations		Hinge Base	Hinges	Screws	Cover Caps
Kit (K)	2 per bag; 10 bags per carton	Yes	Yes	Yes	Yes
Nickel (NP) Finish Salice Hinges for Use with 8071, 8081, 8091 Pocket Door Slides					
Kit (K)	Hinge Cup Size	Door Thickness	Application		
8080 HKS SAL	35 mm	3/4"	Inset		
8080 HKF SAL	35 mm	3/4"	Inset - Free Swing		
8080 HKL SAL	40 mm	3/4"	Overlay		
8086 HKX SAL	40 mm	1-1/4"	Inset - Thick Door		
Black (EB) Finish Salice Hinges for Use with 8071, 8081, 8091 Pocket Door Slides					
Kit (K)	Hinge Cup Size	Door Thickness	Application		
8080 HKS SAL EB	35 mm	3/4"	Inset		
8080 HKL SAL EB	40 mm	3/4"	Overlay		
8086 HKX SAL EB	40 mm	1-1/4"	Inset - Thick Door		