



## GOLA Aluminum Channels

- Contemporary hardware systems to eliminate surface mounted decorative hardware on doors and drawer fronts
- Several finishes complement standard aluminum frame door finishes (Note: aluminum and stainless are not an exact match.)

## Decorative Hardware

- Contemporary decorative hardware
- Anodized aluminum knobs and pulls
- Several finishes complement standard aluminum frame door finishes

## Functional Hardware

- Aluminum door hinges by Blum®
- Soft close technology
- TIP-ON for doors by Blum

# GOLA Channel



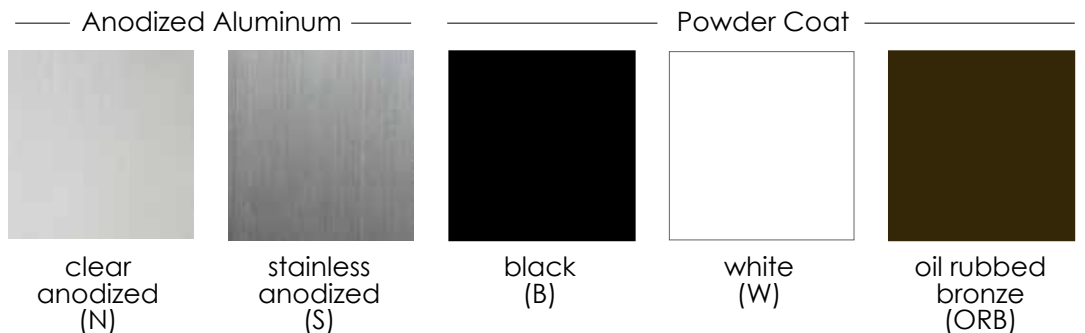
J-Shape and C-Shape aluminum spacer channel in oil rubbed bronze finish.

GOLA aluminum spacer channels are a simple way to achieve sleek, hardware-free cabinetry without additional fabrication to cabinet doors or drawer fronts. The spacer channels provide ample space for fingertips so that the actual drawers and door fronts can be used to open and close instead of exposed handles or pulls. The numerous finish options accent or blend into most cabinetry applications. Element Designs offers the convenience of cut-to-size profiles to make your installation easier.

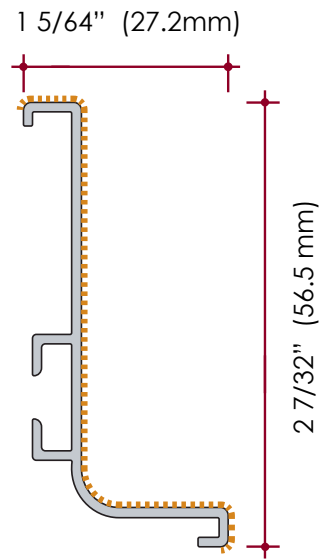


J-Shape and C-Shape aluminum spacer channel in stainless finish.

## Profile Finishes

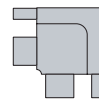
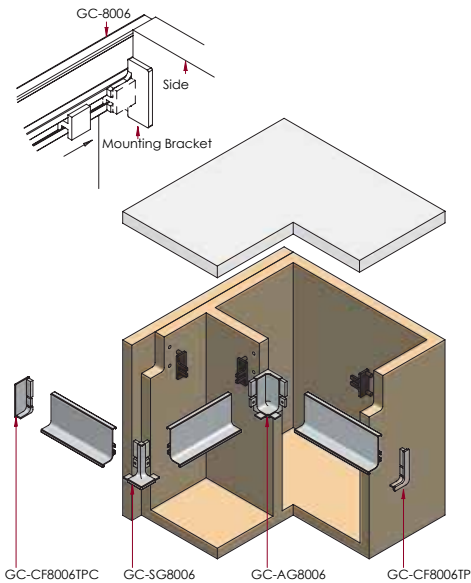


Please note anodized aluminum finishes are not an exact match to our aluminum door profile



# GC-8006

120" length or cut-to-size  
J-Shape horizontal aluminum spacer channel



GC-AG8006

J-Shape internal corner connector (pair)



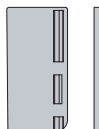
GC-SG8006

J-Shape external corner connector (pair)



GC-CF8006TP

J-Shape open end cap (pair)



GC-CF8006TPC

J-Shape closed end cap (pair)



GC-SU116

Mounting bracket for J-Shape or C-Shape profile, screw-on (pair)



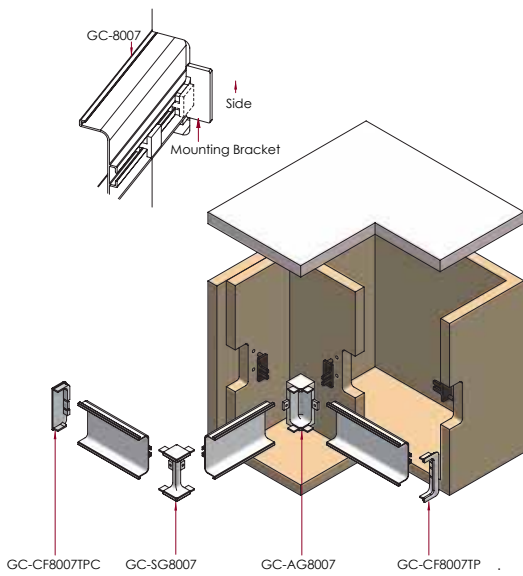
GC-SU136

Mounting bracket for J-Shape or C-Shape profile, dowel (pair)

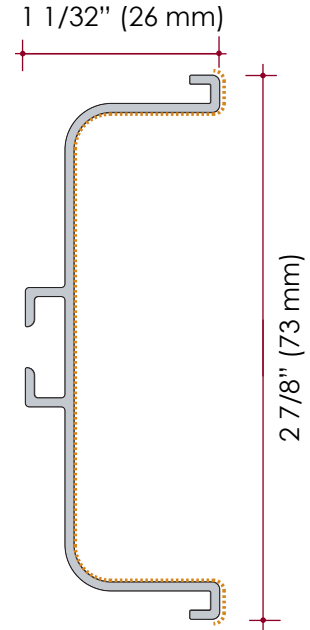
# GOLA Channel



C-Shape channel is also suitable for vertical applications



- N
- S
- B
- W
- ORB



## GC-8007

120" length or cut-to-size

C-Shape horizontal aluminum spacer channel



GC-AG8007

C-Shape internal corner connector (pair)



GC-SG8007

C-Shape external corner connector (pair)



GC-CF8007TP

C-Shape open end cap (pair)



GC-CF8007TPC

C-Shape closed end cap (pair)



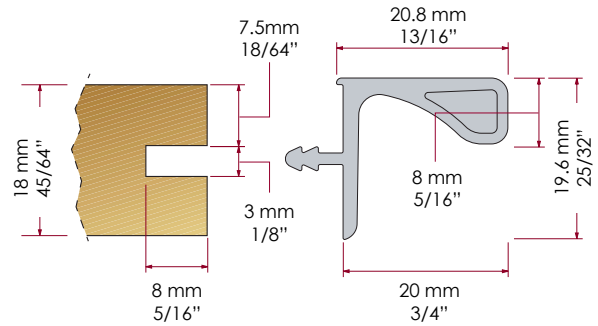
GC-SU116

Mounting bracket for J-Shape or C-Shape profile, screw-on (pair)



GC-SU136

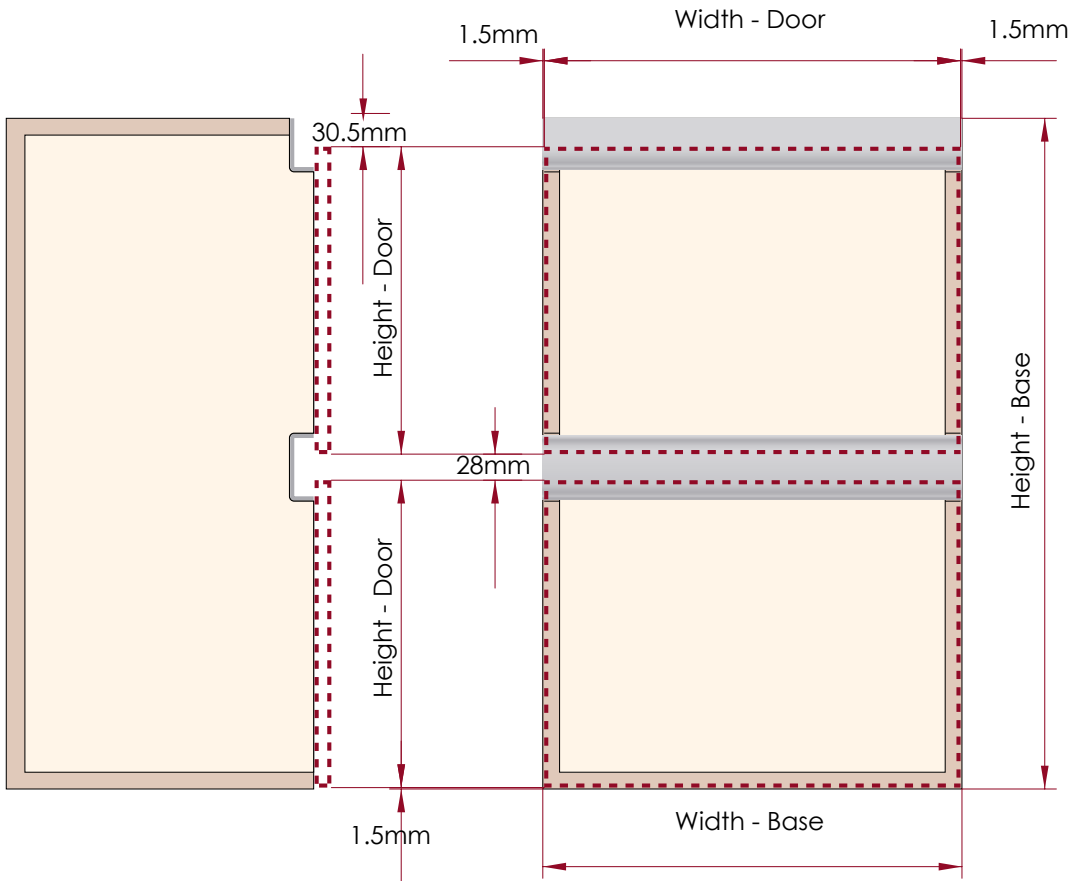
Mounting bracket for J-Shape or C-Shape profile, dowel (pair)



# GC-1730

120" length or cut-to-size  
upper cabinet aluminum spacer channel

Cabinet box construction modification for GOLA J-Shape and C-Shape spacer channels:



Easy to install profile snaps into cabinet notches for J-Shape and C-Shape channels