



Heavy-Duty Drawer Slides

6500 Full Extension Box or File Drawer Slide 42

6505 Over Travel Box or File Drawer Slide 43

8500, 8505 Heavy-Duty File or Lateral Drawer Slides 44

8520, 8525 Extra Heavy-Duty File or Lateral Drawer Slides 45

8800 Heavy-Duty Full Extension Drawer Slide 46

8805 Heavy-Duty Over Travel Drawer Slide with Quick Disconnect Rail . . . 47

8900 Extra Heavy-Duty Full Extension Drawer Slide 48

8908, 8908, 8910 Extra Heavy-Duty Full Extension Locking Drawer Slides. . 49

	Mounting Style	Load Class	Type		Extension				Disconnect Type			Open/Close Features		
			Roller Bearing	Ball-Bearing	3/4 Extension	Full Extension	1" Over Travel	No Disconnect	Friction Release	Lever Release	Quick Disconnect	Hold In Anti-Rebound	Hold-Out / Open	Lock Open
6500	Side	125	•		•					•				
6505	Side	125	•			•				•				
8500	Side	150	•		•						•	•		
8505	Side	150	•			•					•	•		
8520	Side	175	•		•						•	•		
8525	Side	175	•			•					•	•		
8800	Side	200	•		•				•		•			
8805	Side	200	•			•					•	•		
8900	Side	150-500	•		•		•							
8908	Side	150-500	•		•		•						•	•
8909	Side	150-500	•		•		•						•	
8910	Side	150-500	•		•		•							•

6500 Full Extension Box or File Drawer Slide



Features

- Lever disconnect for easy drawer removal
- Closed position hold-in detent
- Non-handed design
- Recommended maximum drawer width 30"

Mounting: Side

Action: Telescopic movement on ball-bearings

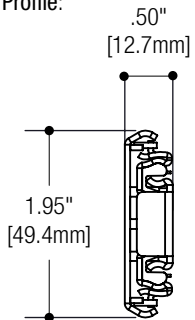
Load Rating: 125 lb. class

Height: 1.95" [49.4mm]

Clearance: .50" + .03" - 0" on each side

Finish: Zinc (ZC)

Profile:



Configurations



Bulk (B)	5 pairs per carton without screws
6500 Zinc (ZC) Finish	
Size	Bulk (B)
12"	6500B 12
14"	6500B 14
16"	6500B 16
18"	6500B 18
20"	6500B 20
22"	6500B 22
24"	6500B 24
26"	6500B 26
28"	6500B 28

Recommended Fasteners	
	#7 x 1/2" Wood Screws

6505 Over Travel Box or File Slide



Features

- 1" over travel for easy access to drawer contents
- Closed position hold-in detent
- Lever disconnect for easy drawer removal
- Recommended maximum drawer width 30"

Mounting: Side

Action: Telescopic movement on ball-bearings

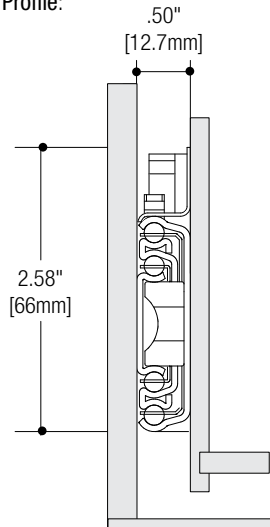
Load Rating: 125 lb. class

Height: 2.58" [66mm]

Clearance: .50" + .03" - 0" on each side

Finish: Zinc (ZC)

Profile:




Configurations



Bulk (B)	5 pairs per carton without screws
6505 Zinc (ZC) Finish	
Size	Bulk (B)
12"	6505B 12
14"	6505B 14
16"	6505B 16
18"	6505B 18
20"	6505B 20
22"	6505B 22
24"	6505B 24
26"	6505B 26
28"	6505B 28

Recommended Fasteners

	#8 x 7/16" Wood Screws
---	------------------------

8500, 8505 Heavy-Duty File or Lateral Drawer Slides



Features

- 32mm hole pattern
- Non-handed quick disconnect drawer members
- Hold-in feature to prevent bounce back
- Recommended maximum drawer width
8500: 36"
8505: 30"

8500: Full extension drawer slide

8505: 1.25" over travel drawer slide

Mounting: Side

Action: Progressive movement on ball-bearings

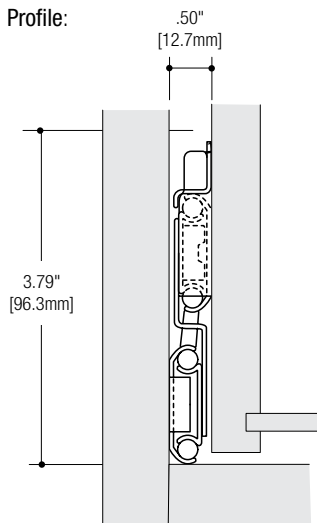
Load Rating: 150 lb. class

Height: 3.79" [96.3mm] (includes quick disconnect rail)

Clearance: .50" + .03" - 0" on each side

Finish: Anochrome (ANO), Ebony Black (EB)

Profile:



Configurations



Bulk (B)	5 pairs per carton without screws
Poly (P)	1 pair per bag with screws; 5 pairs per carton
Quantity (Q)	10 pairs without screws; multiple cartons

8500 Anochrome (ANO) Finish			
Size	Bulk (B)	Poly (P)	Quantity (Q)
12"	8500B 12	8500P 12	8500Q 12
14"	8500B 14	8500P 14	8500Q 14
16"	8500B 16	8500P 16	8500Q 16
18"	8500B 18	8500P 18	8500Q 18
20"	8500B 20	8500P 20	8500Q 20
22"	8500B 22	8500P 22	8500Q 22
24"	8500B 24	8500P 24	8500Q 24
26"	8500B 26	8500P 26	8500Q 26
28"	8500B 28	8500P 28	8500Q 28
30"	8500B 30	8500P 30	8500Q 30

8505 Anochrome (ANO) Finish			
12"	8505B 12	8505P 12	8505Q 12
14"	8505B 14	8505P 14	8505Q 14
16"	8505B 16	8505P 16	8505Q 16
18"	8505B 18	8505P 18	8505Q 18
20"	8505B 20	8505P 20	8505Q 20
22"	8505B 22	8505P 22	8505Q 22
24"	8505B 24	8505P 24	8505Q 24
26"	8505B 26	8505P 26	8505Q 26
28"	8505B 28	8505P 28	8505Q 28
30"	8505B 30	8505P 30	8505Q 30

8505 Ebony Black (EB) Finish			
12"	8505B EB 12	–	8505Q EB 12
14"	8505B EB 14	–	8505Q EB 14
16"	8505B EB 16	8505P EB 16	8505Q EB 16
18"	8505B EB 18	8505P EB 18	8505Q EB 18
20"	8505B EB 20	8505P EB 20	8505Q EB 20
22"	8505B EB 22	8505P EB 22	8505Q EB 22
24"	8505B EB 24	8505P EB 24	8505Q EB 24
26"	8505B EB 26	–	8505Q EB 26
28"	8505B EB 28	–	8505Q EB 28
30"	8505B EB 30	–	8505Q EB 30

Recommended Fasteners	KV Part	Finish	Qty
#7 x 1/2" Phillips Pan Head Screws	8500-93	Zinc (ZC)	1000
	8500-93 EB	Ebony Black (EB)	1000

☐ Non-stock item – minimum order quantities and additional lead time may apply.

8520, 8525 Extra Heavy-Duty File or Lateral Drawer Slides

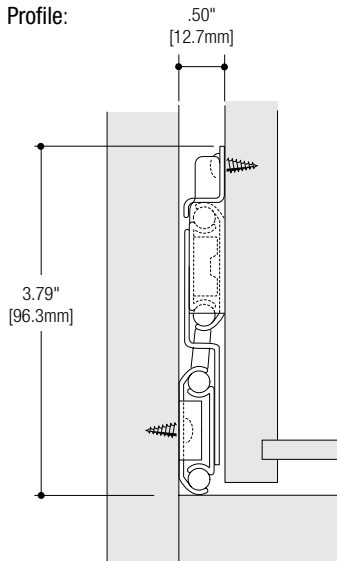


Features

- 32mm hole pattern
- Non-handed quick disconnect drawer members
- Hold-in feature to prevent bounce back
- Recommended maximum drawer width
8520: 42"
8525: 36"

8520: Full extension drawer slide
 8525: 1.25" over travel drawer slide
Mounting: Side
Action: Progressive movement on ball-bearings
Load Rating: 175 lb. class
Height: 3.79" [96.3mm] (includes quick disconnect rail)
Clearance: .50" + .03" - 0" on each side
Finish: Anochrome (ANO)

Profile:



Configurations

Bulk (B)	5 pairs per carton without screws		
Poly (P)	1 pair per bag with screws; 5 pairs per carton		
Quantity (Q)	10 pairs without screws; multiple cartons		
8520 Anochrome (ANO) Finish			
Size	Bulk (B)	Poly (P)	Quantity (Q)
16"	8520B 16	8520P 16	8520Q 16
18"	8520B 18	8520P 18	8520Q 18
20"	8520B 20	8520P 20	8520Q 20
8525 Anochrome (ANO) Finish			
16"	8525B 16	8525P 16	–
18"	8525B 18	8525P 18	–
20"	8525B 20	8525P 20	–

Recommended Fasteners		KV Part	Finish	Qty
	#7 x 1/2" Phillips Pan Head Screws	8500-93	Zinc (ZC)	1000

Non-stock item – minimum order quantities and additional lead time may apply.

8800 Heavy-Duty Full Extension Drawer Slide



Features

- Non-handed design for easy installation
- Closed-position hold-in detent
- Lever disconnect
- Recommended maximum drawer width 42"

Mounting: Side

Action: Telescopic movement on ball-bearings

Load Rating: 200 lb. class

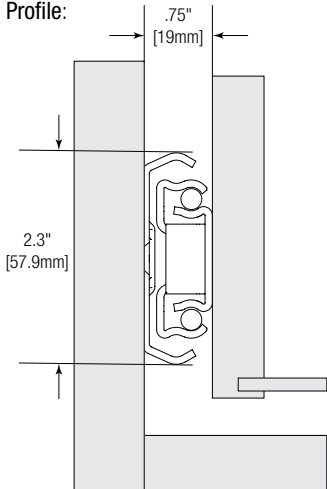
- 100 lb. flat mount rating

Height: 2.3" [57.9mm]

Clearance: .75" + .03" - 0" on each side

Finish: Zinc (ZC)


Profile:



Configurations



Bulk (B)	4 pairs per carton without screws
8800 Zinc (ZC) Finish	
Size	Bulk (B)
12"	8800B 12
14"	8800B 14
16"	8800B 16
18"	8800B 18
20"	8800B 20
22"	8800B 22
24"	8800B 24
26"	8800B 26
28"	8800B 28

Recommended Fasteners	
	#10, 82-degree flat head machine screws on cabinet channel
	#10- 32 x 1/2" with #8 slotted truss head screws on drawer channel

8805 Heavy-Duty Over Travel Slide with Quick Disconnect



Features

- Non-handed design for easy installation
- Ideal for large storage drawer applications
- 1" over travel allows for easy access to drawer contents
- Quick disconnect rail for easy detachment
- Recommended maximum drawer width 42"

Mounting: Side

Action: Telescopic movement on ball-bearings

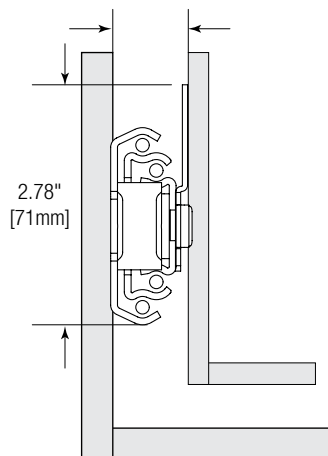
Load Rating: 200 lb. class

Height: 2.3" [57.9mm]
2.78" [71mm] (includes quick disconnect rail)

Clearance: .89" + .03" - 0" on each side

Finish: Zinc (ZC)

Profile: .89"
[22.6mm]



Configurations

Bulk (B)	4 pairs per carton without screws	
Poly (P)	1 pair per bag with screws, 4 pairs per carton	
8805 Zinc (ZC) Finish		
Size	Bulk (B)	Poly (P)
12"	8805B 12	8805P 12
14"	8805B 14	8805P 14
16"	8805B 16	8805P 16
18"	8805B 18	8805P 18
20"	8805B 20	8805P 20
22"	8805B 22	8805P 22
24"	8805B 24	8805P 24
26"	8805B 26	8805P 26
28"	8805B 28	8805P 28

Recommended Fasteners



#8 Truss Head Screws

8900 Extra Heavy-Duty Full Extension Drawer Slide



Features

- Heavy-Duty stops are designed to withstand rough use
- Non-handed design for easy installation
- Full extension travel
- Non-disconnect

Mounting: Side

Action: Telescopic movement on ball-bearings

Load Rating: 100–500 lb. class depending on application

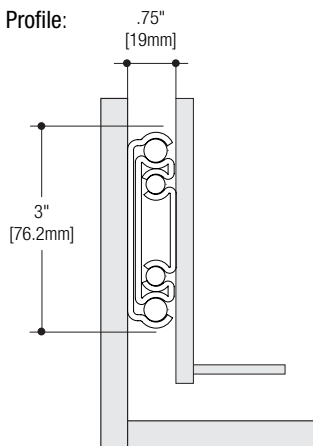
- 150 lb. flat mount rating

Height: 3" [76.2mm]

Clearance: .75" + .03" - 0" on each side

Finish: Zinc (ZC)

Profile:



Configurations



Bulk (B)	10" – 20": 4 pairs per carton; 22" – 28": 3 pairs per carton 30" – 36": 2 pairs per carton; 40" – 60": 1 pair per carton	
Poly (P)	10" – 20": 4 pairs per carton; 22" – 28": 3 pairs per carton 30" – 36": 2 pairs per carton	
8900 Zinc (ZC) Finish		
Size	Bulk (B)	Poly (P)
10"	8900B 10	8900P 10
12"	8900B 12	8900P 12
14"	8900B 14	8900P 14
16"	8900B 16	8900P 16
18"	8900B 18	8900P 18
20"	8900B 20	8900P 20
22"	8900B 22	8900P 22
24"	8900B 24	8900P 24
26"	8900B 26	8900P 26
28"	8900B 28	8900P 28
30"	8900B 30	8900P 30
32"	8900B 32	8900P 32
34"	8900B 34	8900P 34
36"	8900B 36	8900P 36
40"	8900B 40	–
42"	8900B 42	–
44"	8900B 44	–
48"	8900B 48	–
60"	8900B 60	–

Recommended Fasteners	
	1/4" [M6 Euro] flat, hex or pan head screw for 0.26" [6.6mm] cabinet member hole
	1/4" [M6 Euro] hex or pan head screw for 0.26" [6.6mm] drawer member hole
	#10 [M5 Euro] flat, hex or pan head screw for 0.20" [5.2mm] cabinet member hole
	#10 [M5 Euro] hex or pan head screw for 0.20" [5.2mm] drawer member hole

Load Rating Chart		
Load Rating	Test Condition	Open/Close Cycle Tested
500 lb.	18" slide in 18" width drawer	10,000
400 lb.	18" slide in 42" width drawer	30,000
300 lb.	18" slide in 36" width drawer	75,000
100 lb. flat load	18" slide in 32" width drawer	10,000

Note: This slide must never be used as a pull-out step, platform, or any other application supporting human weight as injury may result.

8908, 8909, 8910 Extra Heavy-Duty Full Extension Locking Drawer Slides



Features

- Automatic lock-in/lock-out feature
- Intuitive uni-directional release/closure
- Removable, ergonomic handle
- Spring-activated latches for vertical and horizontal mounting
- Non-disconnect

8908: Extra Heavy-Duty full extension lock-in/lock-out slide

8909: Extra Heavy-Duty full extension lock-out only slide

8910: Extra Heavy-Duty full extension lock-in only slide

Mounting: Side or flat mount

Action: Telescopic movement on ball-bearings

Load Rating: 100–500 lb. class depending on application

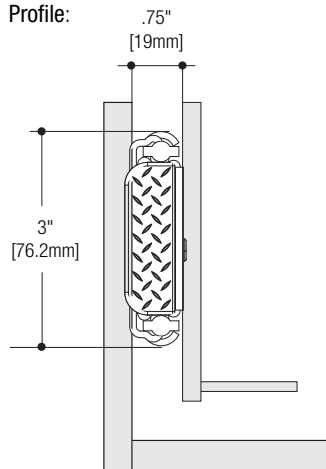
- 150 lb. flat mount rating

Height: 3" [76.2mm]

Clearance: .75" + .03" - 0" on each side

Finish: Zinc (ZC)

Profile:



Configurations

Bulk (B)	10" – 20": 8 slides per carton without screws 22" – 28": 6 slides per carton without screws 30" – 36": 4 slides per carton without screws 40", 42", 44", 48", 60": 2 slides per carton without screws Each slide is poly-bagged with instructions included Sold per slide, not pair		
8908, 8909 & 8910 Zinc (ZC) Finish			
Size	8908 Lock-in/Lock-out	8909 Lock-out Only	8910 Lock-in Only
10"	–	8909B 10	8910B 10
12"	8908B 12	8909B 12	8910B 12
14"	8908B 14	8909B 14	8910B 14
16"	8908B 16	8909B 16	8910B 16
18"	8908B 18	8909B 18	8910B 18
20"	8908B 20	8909B 20	8910B 20
22"	8908B 22	8909B 22	8910B 22
24"	8908B 24	8909B 24	8910B 24
26"	8908B 26	8909B 26	8910B 26
28"	8908B 28	8909B 28	8910B 28
30"	8908B 30	8909B 30	8910B 30
32"	8908B 32	8909B 32	8910B 32
34"	8908B 34	8909B 34	8910B 34
36"	8908B 36	8909B 36	8910B 36
40"	8908B 40	8909B 40	8910B 40
42"	8908B 42	8909B 42	8910B 42
44"	8908B 44	8909B 44	8910B 44
48"	8908B 48	8909B 48	8910B 48
60"	8908B 60	8909B 60	8910B 60

Note: This slide must never be used as a pull-out step, platform, or any other application supporting human weight as injury may result.

Note: The 8908 slide is designed for applications in the 100 – 500 lb. class based on application: modest use 500 lbs.; normal use 400 lbs.; vehicular use 300 lbs.; flat mount 100 lbs..

■ Non-stock item – minimum order quantities and additional lead time may apply.