

Specialty Storage

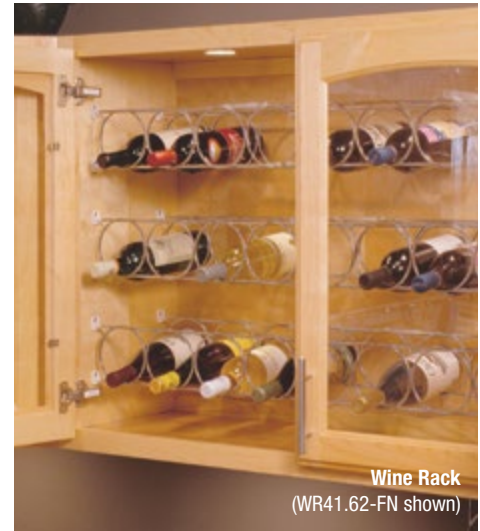
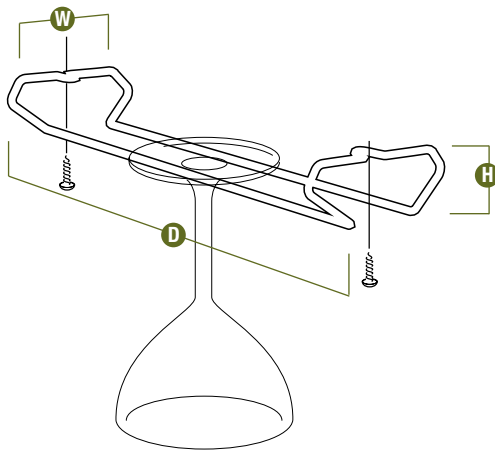
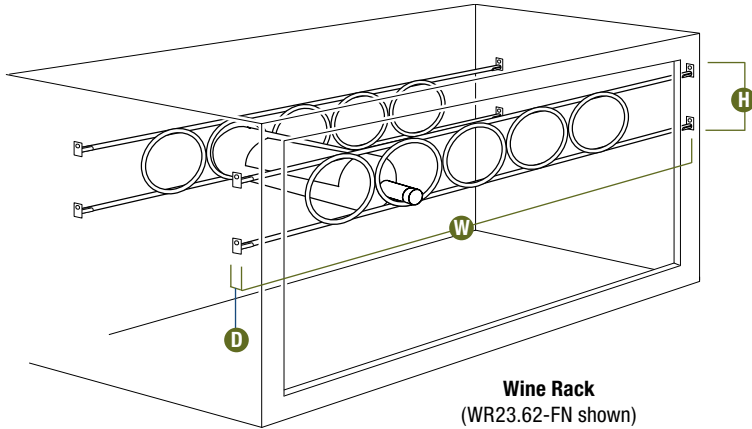
- 66 Wine Accessories
- 67 Spice Racks
- 68 Wire Accessories
- 71 Cabinet Dimensions

Knape and Vogt's Specialty Storage line offers space saving solutions for every room, cabinet, and drawer in the home.



Wine Accessories

- KV Eco-Friendly Frosted Nickel finish
- Economical and elegant wine and stemware displays
- Two racks are required for Wine Rack installation, one in front and one parallel in back



See page 71 for recommended cabinet dimensions and clearances.

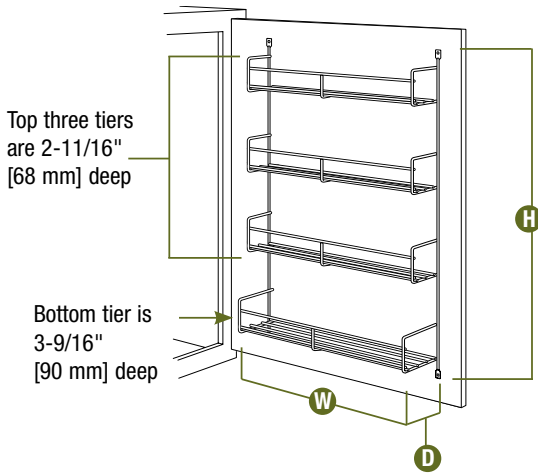
Stock #	Individual Product Dimensions			Number Of Rings	Finish	Units per Carton	Weight per Carton
	Width W	Height H	Depth D				
WINE RACKS							
WR23.62-FN	23-5/8" [600 mm]	4-1/4" [108 mm]	*	5	Frosted Nickel**	5 pair	12 lbs. [5.4 kg.]
WR29.62-FN	29-5/8" [752 mm]	4-1/4" [108 mm]	*	6	Frosted Nickel**	5 pair	17 lbs. [7.7 kg.]
WR35.62-FN	35-5/8" [905 mm]	4-1/4" [108 mm]	*	7	Frosted Nickel**	5 pair	17 lbs. [7.7 kg.]
WR41.62-FN	41-5/8" [1057 mm]	4-1/4" [108 mm]	*	9	Frosted Nickel**	5 pair	20.6 lbs. [9.3 kg.]
STEMWARE HOLDERS							
ST11.50-B	4" [102 mm]	2" [51 mm]	11-9/16" [294 mm]	–	Brass-Look	10	3.5 lbs. [1.6 kg.]
ST11.50-FN	4" [102 mm]	2" [51 mm]	11-9/16" [294 mm]	–	Frosted Nickel**	10	3.5 lbs. [1.6 kg.]

*Total product depth is dependent upon positioning of front and back pieces.

** Eco-Friendly. See page 4 for more information.

Spice Racks

- KV Eco-Friendly Frosted Nickel finish or White
- Bottom tier is 3-9/16" deep to accommodate larger items

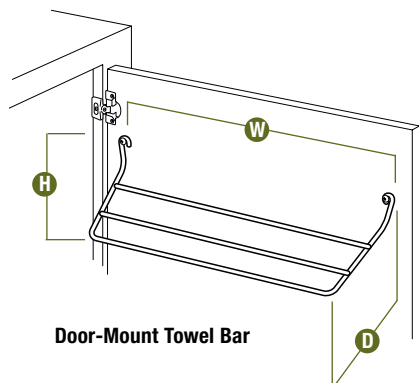


Stock #	Assembled Product Dimensions			Finish [Wire/ Platform]	Units per Carton	Weight per Carton
	Width W	Height H	Depth D			
SPICE RACKS						
SR12-FN	7-13/16" [198 mm]	20" [508 mm]	3-7/8" [98 mm]	Frosted Nickel*	6	12.4 lbs. [5.6 kg.]
SR12-1-FN	7-13/16" [198 mm]	20" [508 mm]	3-7/8" [98 mm]	Frosted Nickel*	1	2.5 lbs. [1.1 kg.]
SR15-FN	10-13/16" [275 mm]	20" [508 mm]	3-7/8" [98 mm]	Frosted Nickel*	5	13.2 lbs. [6.0 kg.]
SR15-1-FN	10-13/16" [275 mm]	20" [508 mm]	3-7/8" [98 mm]	Frosted Nickel*	1	2.5 lbs. [1.1 kg.]
SR18-FN	13-13/16" [351 mm]	20" [508 mm]	3-7/8" [98 mm]	Frosted Nickel*	5	14.7 lbs. [6.7 kg.]
SR18-1-FN	13-13/16" [351 mm]	20" [508 mm]	3-7/8" [98 mm]	Frosted Nickel*	1	3.2 lbs. [1.5 kg.]
SR12-W	7-13/16" [198 mm]	20" [508 mm]	3-7/8" [98 mm]	White	6	12.4 lbs. [5.6 kg.]
SR12-1-W	7-13/16" [198 mm]	20" [508 mm]	3-7/8" [98 mm]	White	1	2.5 lbs. [1.1 kg.]
SR15-W	10-13/16" [275 mm]	20" [508 mm]	3-7/8" [98 mm]	White	5	13.2 lbs. [6.0 kg.]
SR15-1-W	10-13/16" [275 mm]	20" [508 mm]	3-7/8" [98 mm]	White	1	2.5 lbs. [1.1 kg.]
SR18-W	13-13/16" [351 mm]	20" [508 mm]	3-7/8" [98 mm]	White	5	14.7 lbs. [6.7 kg.]
SR18-1-W	13-13/16" [351 mm]	20" [508 mm]	3-7/8" [98 mm]	White	1	3.2 lbs. [1.4 kg.]

* Eco-Friendly. See page 4 for more information.

Door-Mount Towel Bar

- KV Eco-Friendly Frosted Nickel finish or White
- Three-tiered Door-Mount Towel Bar installs easily with two screws and offers a simple solution to storing and accessing dish towels



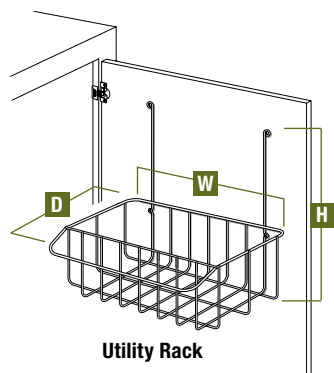
Door-Mount Towel Bar



TB-W

Utility Rack

- Wire basket with attached towel rack is ideal for storing cleaning supplies in sink base cabinets



Utility Rack



UT9-W

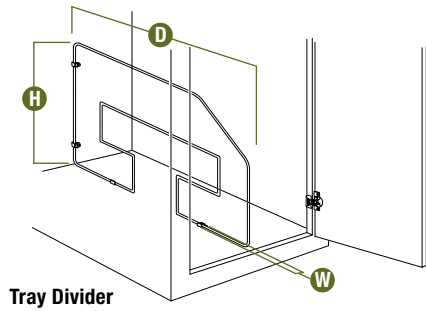
See page 71 for recommended cabinet dimensions and clearances.

Stock #	Assembled Product Dimensions			Finish	Units per Carton	Weight per Carton
	Width W	Height H	Depth D			
DOOR-MOUNT TOWEL BAR						
TB-1-W	12-7/16" [316 mm]	5-1/2" [140 mm]	3-3/8" [86 mm]	White	1	0.2 lbs. [0.1 kg.]
TB-W	12-7/16" [316 mm]	5-1/2" [140 mm]	3-3/8" [86 mm]	White	10	2.9 lbs. [1.3 kg.]
TB-FN	12-7/16" [316 mm]	5-1/2" [140 mm]	3-3/8" [86 mm]	Frosted Nickel*	10	2.9 lbs. [1.3 kg.]
UTILITY RACK						
UT9-W	9-9/16" [243 mm]	9" [229 mm]	5-15/16" [151 mm]	White	10	9.3 lbs. [4.2 kg.]

* Eco-Friendly. See page 4 for more information.

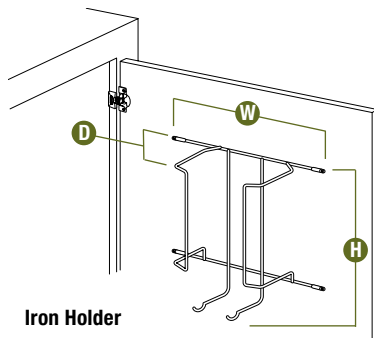
Tray Divider

- KV Eco-Friendly Frosted Nickel finish or White
- Available in 12" and 18" heights
- Installs easily with four attachment clips



Iron Holder

- KV Eco-Friendly Frosted Nickel finish or White
- Can be installed on cabinet door above or below ironing board so iron will be readily available
- Conveniently stores iron when not in use

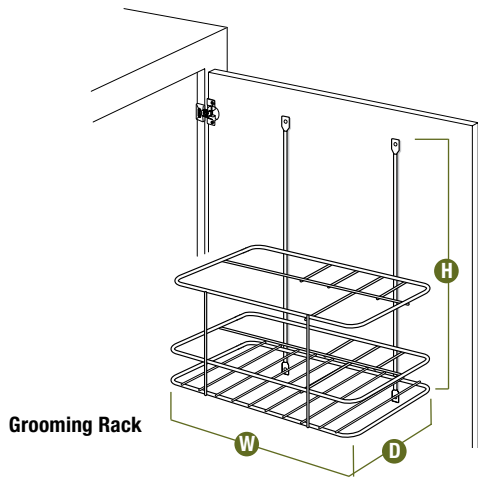


Stock #	Assembled Product Dimensions			Finish [Wire/Bin]	Units per Carton	Weight per Carton
	Width W	Height H	Depth D			
TRAY DIVIDER						
TD12-1-FN	15/16" [24 mm]	12" [205 mm]	19-1/2" [495 mm]	Frosted Nickel*	1	2 lbs. [0.9 kg.]
TD12-FN	15/16" [24 mm]	12" [205 mm]	19-1/2" [495 mm]	Frosted Nickel*	10	14.1 lbs. [6.4 kg.]
TD18-1-FN	15/16" [24 mm]	18" [457 mm]	19-1/2" [495 mm]	Frosted Nickel*	1	2.2 lbs. [1.0 kg.]
TD18-FN	15/16" [24 mm]	18" [457 mm]	19-1/2" [495 mm]	Frosted Nickel*	10	17.2 lbs. [7.8 kg.]
TD12-1-W	15/16" [24 mm]	12" [205 mm]	19-1/2" [495 mm]	White	1	2.0 lbs. [0.9 kg.]
TD12-W	15/16" [24 mm]	12" [205 mm]	19-1/2" [495 mm]	White	10	14.1 lbs. [6.4 kg.]
TD18-1-W	15/16" [24 mm]	18" [457 mm]	19-1/2" [495 mm]	White	1	2.2 lbs. [1.0 kg.]
TD18-W	15/16" [24 mm]	18" [457 mm]	19-1/2" [495 mm]	White	10	17.2 lbs. [7.8 kg.]
IRON HOLDER						
IH-FN	8-1/8" [206 mm]	8-5/16" [211 mm]	5-1/8" [130 mm]	Frosted Nickel*	1	0.9 lbs. [0.4 kg.]

* Eco-Friendly. See page 4 for more information.

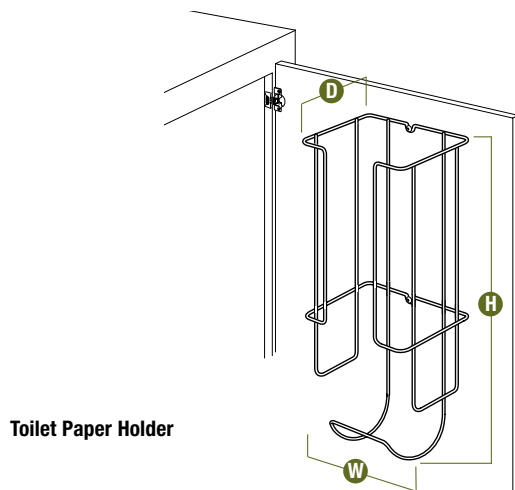
Grooming Rack

- KV Eco-Friendly Frosted Nickel finish
- Door-mounted rack provides storage for one hand-held hair dryer, two cans of hair spray and two curling irons



Toilet Paper Holder

- Holds 4 rolls and mounts to doors or walls
- Installs easily with two screws



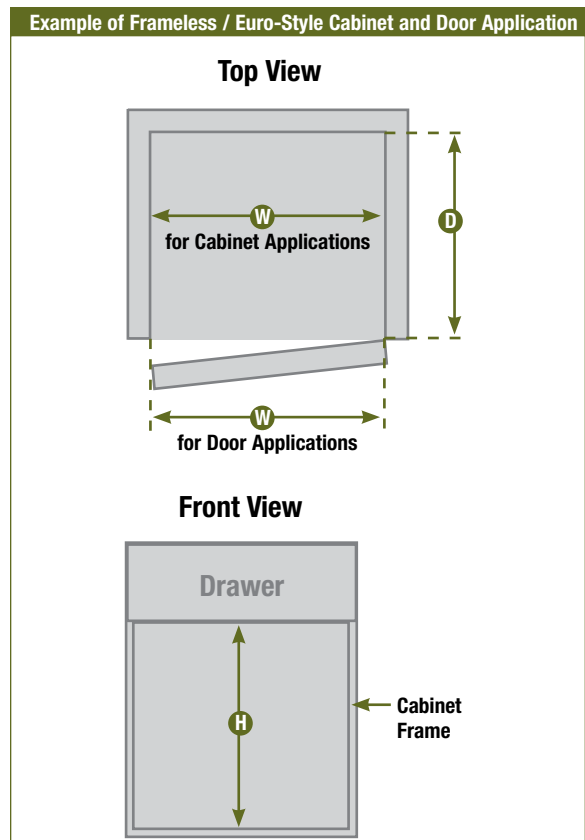
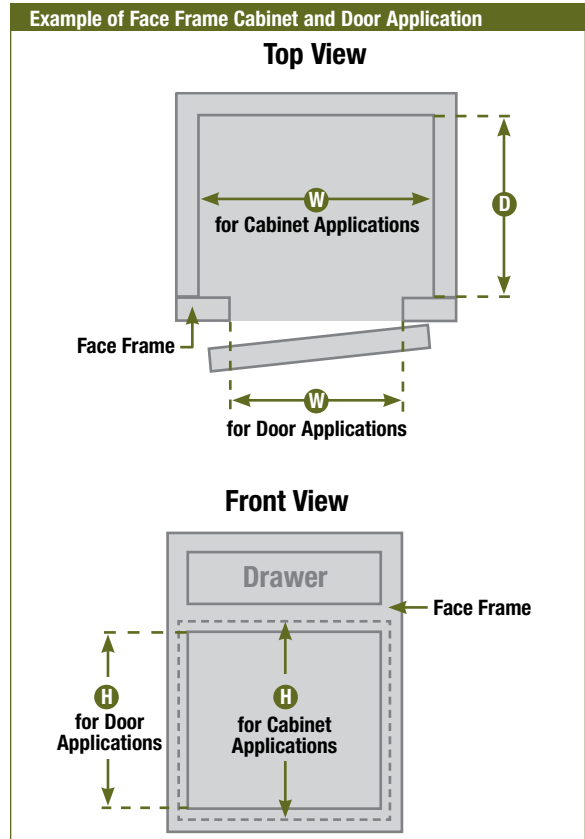
See page 71 for recommended cabinet dimensions and clearances.

Stock #	Assembled Product Dimensions			Finish	Units per Carton	Weight per Carton
	Width W	Height H	Depth D			
GROOMING RACK						
GR12-FN	9-3/16" [233 mm]	16-1/2" [419 mm]	5-1/4" [133 mm]	Frosted Nickel*	1	2.3 lbs. [1.0 kg.]
TOILET PAPER HOLDERS						
TPH-531-W	5-3/8" [137 mm]	16" [406 mm]	5-1/2" [140 mm]	White	1	1.3 lbs. [0.6 kg.]

* Eco-Friendly. See page 4 for more information.

Cabinet Dimensions

Stock #	Minimum Interior Cabinet OR Door Opening Dimensions		
	Width W	Height H	Depth D
WINE RACKS			
WR23.62-FN	23-7/8" [606 mm]	5-1/16" [129 mm]	-
WR29.62-FN	29-7/8" [759 mm]	5-1/16" [129 mm]	-
WR35.62-FN	35-7/8" [911 mm]	5-1/16" [129 mm]	-
WR41.62-FN	41-7/8" [1,064 mm]	5-1/16" [129 mm]	-
STEMWARE HOLDERS			
ST11.50-B	4-1/2" [114 mm]	2-1/2" [64 mm]	11-13/16" [300 mm]
ST11.50-FN	4-1/2" [114 mm]	2-1/2" [64 mm]	11-13/16" [300 mm]
SPICE RACKS			
SR12-FN	9-5/8" [244 mm]	20-1/2" [521 mm]	4-1/8" [105 mm]
SR12-1-FN	9-5/8" [244 mm]	20-1/2" [521 mm]	4-1/8" [105 mm]
SR15-FN	12-3/8" [314 mm]	20-1/2" [521 mm]	4-1/8" [105 mm]
SR15-1-FN	12-3/8" [314 mm]	20-1/2" [521 mm]	4-1/8" [105 mm]
SR18-FN	15" [381 mm]	20-1/2" [521 mm]	4-1/8" [105 mm]
SR18-1-FN	15" [381 mm]	20-1/2" [521 mm]	4-1/8" [105 mm]
SR12-W	9-5/8" [244 mm]	20-1/2" [521 mm]	4-1/8" [105 mm]
SR12-1-W	9-5/8" [244 mm]	20-1/2" [521 mm]	4-1/8" [105 mm]
SR15-W	12-3/8" [314 mm]	20-1/2" [521 mm]	4-1/8" [105 mm]
SR15-1-W	12-3/8" [314 mm]	20-1/2" [521 mm]	4-1/8" [105 mm]
SR18-W	15" [381 mm]	20-1/2" [521 mm]	4-1/8" [105 mm]
SR18-1-W	15" [381 mm]	20-1/2" [521 mm]	4-1/8" [105 mm]
DOOR-MOUNT TOWEL BARS			
TB-1-W	12-15/16" [329 mm]	6" [152 mm]	3-5/8" [92 mm]
TB-FN	12-15/16" [329 mm]	6" [152 mm]	3-5/8" [92 mm]
TB-W	12-15/16" [329 mm]	6" [152 mm]	3-5/8" [92 mm]
UTILITY RACK			
UT9-W	11-3/4" [298 mm]	9-1/2" [241 mm]	6-3/16" [157 mm]
TRAY DIVIDERS			
TD12-1-FN	-	12-3/8" [314 mm]	20-1/8" [511 mm]
TD12-FN	-	12-3/8" [314mm]	20-1/8" [511 mm]
TD18-1-FN	-	18-3/8" [467mm]	20-1/8" [511 mm]
TD18-FN	-	18-3/8" [467mm]	20-1/8" [511 mm]
TD12-1-W	-	12-3/8" [314mm]	20-1/8" [511 mm]
TD12-W	-	12-3/8" [314mm]	20-1/8" [511 mm]
TD18-1-W	-	18-3/8" [467mm]	20-1/8" [511 mm]
TD18-W	-	18-3/8" [467mm]	20-1/8" [511 mm]
IRON HOLDER			
IH-FN	8-5/8" [219 mm]	length of iron + 1-1/2" [38 mm]	height of iron + 1" [25 mm]
GROOMING RACK			
GR12-FN	11-1/4" [286 mm]	17" [432 mm]	5-1/2" [140 mm]
TOILET PAPER HOLDER			
TPH-531-W	7-7/16" [189 mm]	16-1/2" [419 mm]	5-3/4" [146 mm]



Dimensions shown are recommended minimum cabinet and door dimensions.