



# Specialty Drawer Slides

6400 Stainless Steel Drawer Slide . . . . . 51  
 8000 Over Travel Undermount Pantry Drawer Slide . . . . . 52  
 8500T, 8505T, 8520T, 8525T Lateral File Drawer Systems . . . . . 53

	Mounting Style	Load Class	Roller Bearing	Ball-Bearing	3/4 Extension	Full Extension	1" Over Travel	No Disconnect	Friction Release	Lever Release	Lift Out	Quick Disconnect	Hold In Anti-Rebound	Open/Close Features				
														Hold-Out / Open	Lock Open	Self-Close	Soft-Close	Shelf Tabs
6400	Side	100	•	•						•			•					
8000	Under	130	•			•					•		•					
8500T	Side	150	•		•								•	•				
8505T	Side	150	•			•							•	•				
8520T	Side	175	•		•								•	•				
8825T	Side	175	•			•							•	•				

## 6400 Stainless Steel Drawer Slide



### Features

- 304-Grade stainless steel
- Ideal for use in wet or corrosive environments
- USDA H-1 approved grease
- Lever disconnect
- Recommended drawer width 24"

**Mounting:** Side

**Action:** Telescopic movement on ball-bearings

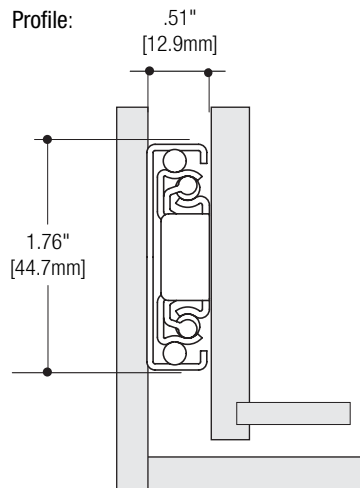
**Load Rating:** 100 lb. class

**Height:** 1.76" [44.7mm]

**Clearance:** .51" + .03" - 0" on each side

**Finish:** Stainless Steel (SS)

**Profile:**



### Configurations



Poly (P)	1 pair per bag with screws; 10 pairs per carton
<b>6400 Stainless Steel (SS) Finish</b>	
<b>Size</b>	<b>Poly (P)</b>
16"	6400P SS 16
18"	6400P SS 18
20"	6400P SS 20
22"	6400P SS 22

### Recommended Fasteners



#8 x 1/2" Stainless Steel Pan Head Screws

# 8000 Over Travel Undermount Pantry Drawer Slide



Removable  
Mounting Brackets

## Features

- Removable mounting brackets
- Hold-in detent
- Key-hole style mounting holes
- 1" over travel

**Mounting:** Bottom mount

**Action:** Telescopic movement on ball-bearings

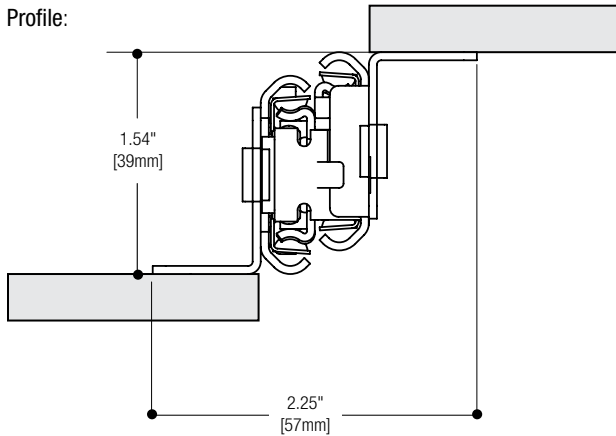
**Load Rating:** 130 lb. class

**Height:** 1.54" [39mm]  
2.25" [57mm] (includes brackets)

**Clearance:** 3/4" (slide only); 2-1/4" (with brackets)


**Finish:** Anochrome (ANO)

**Profile:**



## Configurations

Poly (P)	1 pair per bag with screws; 5 pairs per carton
<b>8000 Anochrome (ANO) Finish</b>	
<b>Size</b>	<b>Poly (P)</b>
12"	8000P 12
14"	8000P 14
16"	8000P 16
18"	8000P 18
20"	8000P 20
22"	8000P 22
24"	8000P 24
26"	8000P 26
28"	8000P 28

Recommended Fasteners	KV Part	Finish	Qty
 #8 x 5/8" Phillips Pan Head	200114-6	Zinc (ZC)	1000

# 8500T, 8505T, 8520T, 8525T Lateral File Drawer Systems



## Features

- Patented integrated anti-tilt mechanism
- Uses high-strength cable that laces through the drawer slides and snaps into place, allowing only one drawer to open at a time
- Accommodates drawers on 12" ( $\pm 1/2$ ") vertical centers
- Non-handed quick disconnect rail
- Designed for use on lateral file applications where a drawer anti-tilt feature is needed

**8500T:** Full extension slide with maximum 36" drawer width

**8505T:** 1.25" over travel slide max. 30" drawer width

**8520T:** Full extension slide with maximum 42" drawer width

**8525T:** 1.25" over travel slide max. 36" drawer width

**Mounting:** Side

**Action:** Progressive movement on ball-bearings

**Load Rating:** 8500T/8505T: 150 lb. class

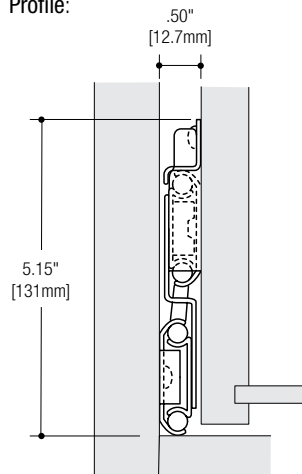
8520T/8525T: 175 lb. class

**Height:** 5.15" [131mm]

**Clearance:** .50" + .03" - 0" on each side


**Finish:** Anochrome (ANO), Ebony Black (EB)

**Profile:**



## Configurations

Quantity (Q)	20 pairs without screws; multiple cartons
<b>8500T Anochrome (ANO) Finish</b>	
<b>Size</b>	<b>Quantity (Q)</b>
16"	8500TQ 16
18"	8500TQ 18
20"	8500TQ 20
<b>8505T Anochrome (ANO) Finish</b>	
16"	8505TQ 16
18"	8505TQ 18
20"	8505TQ 20
<b>Special Order Only</b>	
8520T	Special Order
8525T	Special Order

Recommended Fasteners	KV Part	Finish	Qty
 #7 x 1/2" Phillips Pin Head Screws	8500-93	Zinc (ZC)	1000
	8500-93 EB	Ebony Black (EB)	1000

Non-stock item – minimum order quantities and additional lead time may apply.

## 8500 Interlok™ Cable Accessory

Required for 8500T, 8505T, 8520T and 8525T Interlok anti-tilt systems.

Product	Size	Packed
8500T-11B 482	For 2-high lateral files	40 per carton
8500T-11B 789	For 3-high lateral files	40 per carton
8500T-11B 1095	For 4-high lateral files	40 per carton

Note: Custom length cables are available as special order. Consult Customer Service for information and availability.