



Undermount Drawer Slides

MuV Full Extension Undermount Drawer Slide 36
 MuV34 Full Extension Undermount Drawer Slide 37
 MuVHD Heavy-Duty Full Extension Undermount Drawer Slide 38
 MuV34HD Heavy-Duty Full Extension Undermount Drawer Slide 39
 MuV Metric Full Extension Undermount Drawer Slide 40

	Mounting Style	Load Class	Type	Extension	Disconnect Type				Open/Close Features				
					Undermount	3/4 Extension	Full Extension	1" Over Travel	No Disconnect	Friction Release	Lever Release	Lift Out	Quick Disconnect
MuV	Under	75	•	•				•			•	•	•
MuV34	Under	75	•	•				•			•	•	•
MuVHD	Under	120	•	•				•			•	•	•
MuV34HD	Under	120	•	•				•			•	•	•
MuV Metric	Under	34kg	•	•				•			•	•	•

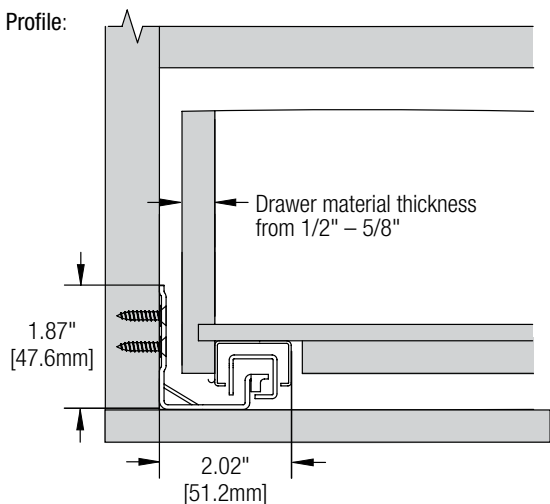
MuV Full Extension Undermount Drawer Slide



Features

- For use with drawer material thickness from 1/2" to 5/8"
- 32mm hole pattern matches existing industry standards
- Full extension travel
- Integrated soft-close motion-dampening cylinder guides drawer into closed position
- Packaged complete with release levers

Mounting: Undermount
Action: Telescopic action
Load Rating: 75 lb. class
Height: 1.87" [47.6mm]
Finish: Zinc (ZC)



Mounting Brackets & Installation Jig



MUV-RBP Plastic Rear Mounting Bracket
 Sizes 9–12"

MUV-RBM Metal Rear Mounting Bracket
 Sizes 14"+


MUV-121 Installation Jig

Product	Description	Carton Quantity
MUV-RBP	Plastic rear mounting brackets (sizes 9–12")	8 (4L, 4R)
MUV-RBM	Metal rear mounting brackets (sizes 14"+)	12 (non-handed)
MUV-121	Installation jig	1

Configurations



Bulk (B)	9"–12": 4 pairs per carton without screws; includes front release levers
	14"–22": 6 pairs per carton without screws; includes front release levers
MuV Zinc (ZC) Finish	
Size	Bulk (B)
9"	MUVB 9
10"	MUVB 10
12"	MUVB 12
14"	MUVB 14
15"	MUVB 15
16"	MUVB 16
18"	MUVB 18
20"	MUVB 20
21"	MUVB 21
22"	MUVB 22

Recommended Fasteners	KV Part	Finish	Qty	
	#7 x 5/8" Slide Mounting Screws	MUV-122	Zinc (ZC)	100
	#6 x 1/2" Front Mounting Clip Screws	MUV-123	Zinc (ZC)	100

Optimal Operation Guidelines for Drawer Width Based on Drawer Height	
Drawer Height	Maximum Width
Up to 6"	Slide length + 10"
Greater than 6"	Slide length + 10" or 28", whichever is less
Greater than 8"	Slide length + 10" or 24", whichever is less
Greater than 10"	Slide length + 10" or 21", whichever is less



Closed Position

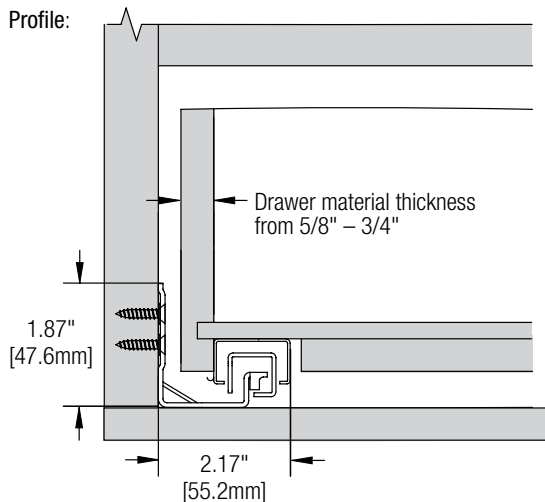
MuV34 Full Extension Undermount Drawer Slide



Features

- For use with drawer material thickness from 5/8" to 3/4"
- 32mm hole pattern matches existing industry standards
- Full extension travel
- Integrated soft-close motion-dampening cylinder guides drawer into closed position
- Packaged complete with release levers

Mounting: Undermount
Action: Telescopic action
Load Rating: 75 lb. class
Height: 1.87" [47.6mm]
Finish: Zinc (ZC)



Mounting Brackets & Installation Jig



MUV-RBP Plastic Rear Mounting Bracket
 Sizes 9–12"

MUV-RBM Metal Rear Mounting Bracket
 Sizes 14"+

MUV-121 Installation Jig

Product	Description	Carton Quantity
MUV-RBP	Plastic rear mounting brackets (sizes 9–12")	8 (4L, 4R)
MUV-RBM	Metal rear mounting brackets (sizes 14"+)	12 (non-handed)
MUV-121	Installation jig	1

Configurations

Bulk (B)	9"–12": 4 pairs per carton without screws; includes front release levers
	14"–22": 6 pairs per carton without screws; includes front release levers
MuV34 Zinc (ZC) Finish	
Size	Bulk (B)
9"	MUV34B 9
10"	MUV34B 10
12"	MUV34B 12
14"	MUV34B 14
15"	MUV34B 15
16"	MUV34B 16
18"	MUV34B 18
20"	MUV34B 20
21"	MUV34B 21
22"	MUV34B 22

Recommended Fasteners	KV Part	Finish	Qty	
	#7 x 5/8" Slide Mounting Screws	MUV-122	Zinc (ZC)	100
	#6 x 1/2" Front Mounting Clip Screws	MUV-123	Zinc (ZC)	100

Optimal Operation Guidelines for Drawer Width Based on Drawer Height	
Drawer Height	Maximum Width
Up to 6"	Slide length + 10"
Greater than 6"	Slide length + 10" or 28", whichever is less
Greater than 8"	Slide length + 10" or 24", whichever is less
Greater than 10"	Slide length + 10" or 21", whichever is less



Closed Position

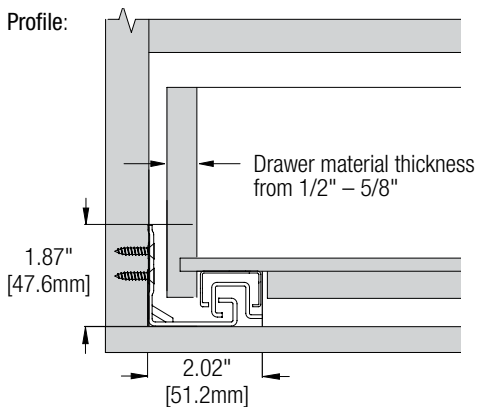
MuVHD Heavy-Duty Full Extension Undermount Drawer Slide



Features

- For use with drawer material thickness from 1/2" to 5/8"
- Stabilizing rollers keep closed drawer fronts aligned and true
- Hydraulic soft-close cylinder eliminates drawer bounce-back
- Industry standard 32mm mounting hole pattern
- Optional bottom mount holes
- Recommended maximum drawer width 42"

Mounting: Undermount
Travel: Full extension
Load Rating: 120 lb. class
Height: 1.87" [47.6mm]
Finish: Zinc (ZC)



Note: MuVHD face frame applications must be blocked out.

Installation Jig




MUV-121
Installation Jig

Product	Description	Carton Quantity
MUV-121	Installation jig	1

Configurations

Bulk (B)	4 pairs per carton without screws; includes front release levers
MuVHD Zinc (ZC) Finish	
Size	Bulk (B)
18"	MUVHDB 18
20"	MUVHDB 20
21"	MUVHDB 21
22"	MUVHDB 22
24"	MUVHDB 24
27"	MUVHDB 27
30"	MUVHDB 30

Recommended Fasteners	KV Part	Finish	Qty	
	#7 x 5/8" Flathead Wood Screws	MUV-122	Zinc (ZC)	100
	#6 x 1/2" Truss Head Wood Screws	MUV-123	Zinc (ZC)	100

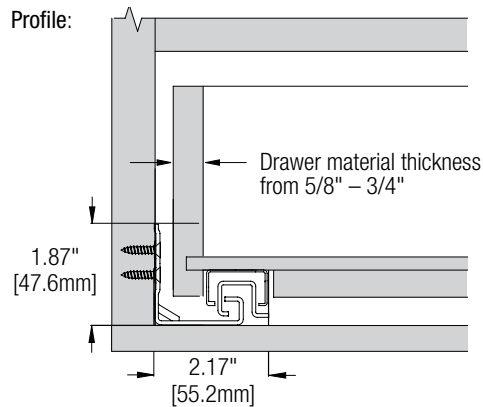
MuV34HD Heavy-Duty Full Extension Undermount Drawer Slide



Features

- For use with drawer material thickness from 5/8" to 3/4"
- Stabilizing rollers keep closed drawer fronts aligned and true
- Hydraulic soft-close cylinder eliminates drawer bounce-back
- Industry standard 32mm mounting hole pattern
- Optional bottom mount holes
- Recommended maximum drawer width 42"

Mounting: Undermount
Travel: Full extension
Load Rating: 120 lb. class
Height: 1.87" [47.6mm]
Finish: Zinc (ZC)



Note: MuVHD face frame applications must be blocked out.

Installation Jig




MUV-121
Installation Jig

Product	Description	Carton Quantity
MUV-121	Installation jig	1

Configurations

Bulk (B)	4 pairs per carton without screws; includes front release levers		
MuV34HD Zinc (ZC) Finish			
Size	Bulk (B)		
18"	MUV34HDB 18		
20"	MUV34HDB 20		
21"	MUV34HDB 21		
22"	MUV34HDB 22		
24"	MUV34HDB 24		
27"	MUV34HDB 27		
30"	MUV34HDB 30		

Recommended Fasteners		KV Part	Finish	Qty
	#7 x 5/8" Flathead Wood Screws	MUV-122	Zinc (ZC)	100
	#6 x 1/2" Truss Head Wood Screws	MUV-123	Zinc (ZC)	100

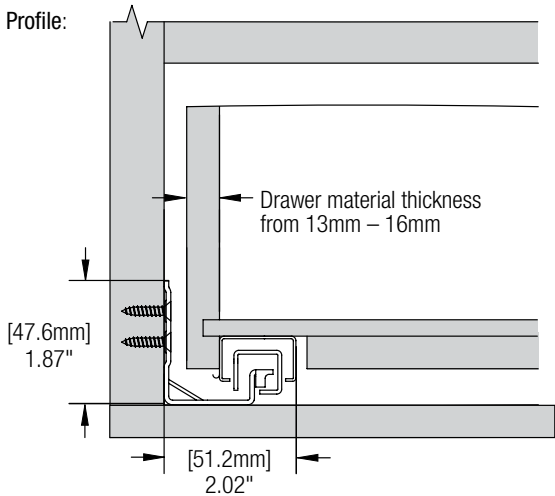
MuV Metric Full Extension Undermount Drawer Slide



Features

- For use with drawer material thickness from 13mm to 16mm
- Ergonomically designed front release levers allow for tool-free height adjustment
- 32mm hole pattern matches existing industry standards
- True full extension
- Integrated soft-close motion-dampening cylinder guides drawer into closed position
- Packaged complete with release levers

Mounting: Undermount
Action: Telescopic action
Load Rating: 34kg class
Height: 47.6mm [1.87"]
Finish: Zinc (ZC)



Installation Jig



MUV-121
Installation Jig

Configurations

Bulk (B)	250-320mm: 4 pairs per carton without screws; includes front release levers
	350-600mm: 6 pairs per carton without screws; includes front release levers
MuV Metric Zinc (ZC) Finish	
Size	Bulk (B)
250mm	MUVB 250
270mm	MUVB 270
300mm	MUVB 300
320mm	MUVB 320
350mm	MUVB 350
380mm	MUVB 380
400mm	MUVB 400
420mm	MUVB 420
450mm	MUVB 450
480mm	MUVB 480
500mm	MUVB 500
520mm	MUVB 520
550mm	MUVB 550
600mm	MUVB 600

Recommended Fasteners		KV Part	Finish	Qty
	#7 x 5/8" Flathead Wood Screws	MUV-122	Zinc (ZC)	100
	#6 x 1/2" Truss Head Wood Screws	MUV-123	Zinc (ZC)	100

Optimal Operation Guidelines for Drawer Width Based on Drawer Height	
Drawer Height	Maximum Width
Up to 152mm	Slide length + 254mm
Greater than 152mm	Slide length + 254mm or 711mm, whichever is less
Greater than 203mm	Slide length + 254mm or 609mm, whichever is less
Greater than 254mm	Slide length + 254mm or 533mm, whichever is less



Closed Position

Product	Description	Carton Quantity
MUV-121	Installation jig	1