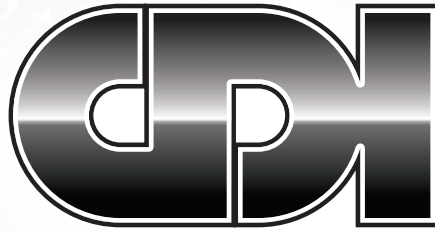


Est  
1984



**COMPI DISTRIBUTORS, INC.**

*“Your One Stop Shop”*

St. Louis, Missouri | Springfield, Illinois | Kansas City, Missouri | Ozark, Missouri

# CORE COLLECTION



# CORE COLLECTION



## LAMINATE SOLID SURFACE QUARTZ & ADHESIVES

**Wilsonart**  
page 1-4

## FUNCTIONAL HARDWARE

**Blum**  
page 5-63

**Knape & Vogt**  
page 64-72

**A&M Brackets**  
page 73

**Berenson**  
page 74-77

**CompX National**  
page 78

**X-Series Brackets**  
page 79

## CONVENIENCE HARDWARE

**Rev A Shelf**  
page 80-136

## WOOD PRODUCTS

**Flexible Materials**  
page 137

**Plywood/  
Melamine/  
Particle Board/  
MDF**  
page 138-139

**John Boos  
Butcher Blocks**  
page 140

## EDGEBANDING & ADHESIVES

**Rehau**  
page 141-142

## SUNDRIES

**3M**  
page 143-144

**Lami-Lube/  
Mixing Cups**  
page 145

**Fastcap**  
page 146-148

## FINISH

**Famowood**  
page 149

**Kampel**  
page 150

**ML Campbell**  
page 151-178

**Finish Accessories**  
page 179

## SAW BLADES ROUTER BITS & MISCELLANEOUS

**Everlast**  
page 180

**Amana Tool**  
page 181-183

**Practical Products**  
page 184

## ABRASIVES

**Sungold**  
page 185

**Mirka**  
page 186-188

**3M**  
page 188

**Sia**  
page 189-191

**Surfprep**  
page 192-193

## FASTENERS

**Pan American Screw/  
Blum(screws)**  
page 194-195

**Senco**  
page 196

## TOOLS

**CA Technologies**  
page 197-198

**Festool**  
page 199

**Mirka/Surfprep**  
page 200

**SawStop**  
page 201-202

**Senco**  
page 203



## High Pressure Laminate



### Decorative Edges - the difference is in the details!

Wilsonart's collection of Decorative Edges for laminates forever eliminates the dreaded brown seam line. Treat your countertop edge as jewelry for your kitchen and bath. Choose from two unique, architectural options to add the perfect finishing touch to countertops, vanities, tables and desks. Because they offer a totally tailored finish to any of our laminate surfaces, Decorative Edges can be subtle, or not so subtle, completion to any environment.

## Virtual Design Library



With an ever expanding collection of custom laminate designs, our Virtual Design Library gives you the opportunity to make every space unique. From laminate designs that include footballs to folk art, and checkerboards to cherry groves, the digital design library contains something for every space or inspiration.

## Specialty Laminate



### Traceless™

Traceless™ Laminate is a high-tech fingerprint-resistant surface that masks smears, smudges and streaks. A stunning, easy-to-clean, highly durable surface with heat, impact and scratch resistance, it is a sound choice for the most demanding applications.

### RE-COVER™

An innovative new option for laminate combining a pre-applied adhesive to HPL or LPL to quickly update a dated design. Suggested interior applications include store fixtures, cabinetry, furniture, doors, elevator cabs, and other vertical surfaces.

### SOLICOR™

Wilsonart® SOLICOR™ is a specialty laminate created with a solid color core – eliminating the troublesome “brown line” of traditional laminates.

### Chalkboard

Wilsonart® Chalkboard is the perfect solution for any space or application that demands a durable and affordable writing surface, and unlike other chalkboard surfaces, it requires no special maintenance.

### Markerboard

The ideal laminate writing surface for classrooms, business and administrative offices, message centers, athletic facilities, or as a menu board.

## Quartz

Wilsonart® Quartz is a stylish, sleek and strong surface with performance features that make this one of the most popular surface materials on the market today.



## Solid Surface



Solid Surface countertops serve up seamless, non-porous and hygienic performance ideal for retail, healthcare and foodservice interiors. As a renewable and repairable surface, you can relish in the ease of day-to-day maintenance and long-lasting durability.



### Solid Surface Sinks

Our sleek, acrylic sinks are more than just beautiful: they're also hard-working. Maintenance is simple with no lip or ledge to catch debris. Wilsonart® Solid Surface sinks come in a variety of shapes and sizes, including ADA compliant options, to add the perfect finishing touch to your project.

## Coordinated Surfaces



Why settle for close enough when you can find your perfect match? Wilsonart® Coordinated Surfaces brings you 200+ Wilsonart® Laminate designs and 8 finishes completely coordinated into best-matched collections.

### Thermally Fused Laminate Panels

include more than 200 curated designs and eight exclusive textured finishes

### Edgeband

A best-matched edge solution that complements more than 200 Wilsonart® Laminate designs and textures.

## CONTACT ADHESIVES, SOLVENTS AND CLEANERS



### CONTACT ADHESIVES

#### WA 500

Fast drying brush/roller-grade contact adhesive.

Item Number	Size
LW-500-1	1 Gallon
LW-500-5	5 Gallon
LW-500-55	55 Gallon

#### WA 600

OTC-compliant, brush/rollergrade adhesive that applies easily and has a wider working window for consumer use.

Item Number	Size
LW-600-5	5 Gallon
LW-600-55	55 Gallon

#### WA 800/801

Spray-grade contact adhesive designed specifically for postforming applications.

Item Number	Size
LW-800-5	5 Gallon
LW-800-55	55 Gallon
LW-801-5	5 Gallon
LW-801-55	55 Gallon



#### WA 950/951

Fast-drying, spray-grade contact adhesive designed for non-postforming operations. WA 950/951 provides an easy to use, high strength, economical bonding solution.

Item Number	Size
LW-950-5	5 Gallon
LW-950-55	55 Gallon
LW-950-330	330 Gallon
LW-951-5	5 Gallon
LW-951-55	55 Gallon
LW-951-330	330 Gallon

#### WA 1700

Low VOC\*, HAPS-free contact adhesive with outstanding bond and heat strength that can be sprayed, brushed or rolled. This product requires less air pressure, making it easier to spray than traditional contact adhesives.

Item Number	Size
LW-1700-5	5 Gallon

## CANISTERIZED CONTACT ADHESIVES



#### WA 700/701

High strength, high tack canister contact adhesive designed for use with high pressure laminates. WA 700/701 is a methylene chloride-free product that bonds quickly and easily using a web spray pattern.

Item Number	Size
LW-700-9LB	9lb
LW-700-30LB	30lb
LW-700-140LB	140lb
LW-701-9LB	9lb
LW-701-30LB	30lb
LW-701-140LB	140lb

#### WA 730/731

Low VOC, HAPS-free canister contact adhesive designed for use with high pressure laminates. With an innovative pebble spray pattern, WA 730/731 greatly reduces telegraphing.

Item Number	Size
LW-730-270LB	270lb
LW-731-270LB	270lb

#### WA 740/741

High speed, high strength canister contact adhesive designed for use with high pressure laminates. WA 740/741 is a methylene chloride-free product that bonds quickly and easily using a web spray pattern.

Item Number	Size
LW-740-30LB	30lb
LW-741-30LB	30lb
LW-741-140LB	140lb



#### LOKWELD 740A

High speed, high strength aerosol contact adhesive designed for use with high pressure laminates. Lokweld 740A is a methylene chloride-free product that bonds quickly and easily using a web spray pattern.

Item Number	Size
LW-740-A	14.2oz

### SYMBOLS KEY

- UL GREENGUARD Gold Certified
- California Compliant (SCAQMD, Rule 1168)
- Ozone Transport Commission (OTC) Compliant
- Non-flammable
- Qualifies for LEED® credit(s)



### WATER-BASED CONTACT ADHESIVES

#### WA H2O

Non-flammable, water-based contact adhesive that can be sprayed, rolled or brushed. Ideal for postforming or non-postforming operations, WA H2O is a low VOC alternative for operations where the use of flammable solvents is prohibited or regulated.

Item Number	Size
LW-H2O-QT	1 Quart
LW-H20-1	1 Gallon
LW-H20-5	5 Gallon
LW-H20-55	55 Gallon
LW-H20G-1	5 Gallon
LW-H20G-5	55 Gallon

## POLYVINYL ACETATE (PVA) ADHESIVES



### LOKWELD WHITE GLUE / WA 10



Fast-setting, PVA adhesive designed for wood-to-wood applications and panel manufacturing operations requiring faster machine times.

Item Number	Size
LW-10-PT	1 Pint
LW-10-1	1 Gallon
LW-10-5	5 Gallon
LW-10-55	55 Gallon



### LOKWELD WOOD GLUE/ WA 30



High-strength, fast-setting, yellow PVA adhesive designed for wood-to-wood applications. Ideal for assembly, cold press and hot press applications.

Item Number	Size
LW-30-PT	1 Pint

### LOKWELD TYPE II GLUE/ WA TYPE II



Water-resistant PVA assembly adhesive that can be used in hot or cold press panel operations or in radio frequency curing operations.

Item Number	Size
LW-TYPE-II-PT	1 Pint
LW-TYPEII-1	1 Gallon
LW-TYPEII-5	5 Gallon

## SOLVENTS AND CLEANERS



### WA 110

Extremely flammable solvent designed to dissolve dried adhesive film and clean equipment including brushes, spray guns, pumps and pressure pots.

Item Number	Size
LW-110-5	5 Gallon
LW-110-55	55 Gallon



### WA 3000

Quick setting, high strength PVA adhesive that is ideal for postforming, nip and stack, or heated nip operations. Whether sprayed or applied with a glue spreader, WA 3000 is the professional's choice.

Item Number	Size
LW-3000-5	5 Gallon
LW-3000-55	55 Gallon
LW-3000-275	275 Gallon

### WA 3100

PVA adhesive designed specifically to bond laminate to a variety of substrates in cold press applications.

Item Number	Size
LW-3100-55	55 Gallon
LW-3100-275	275 Gallon



### LOKWELD MELAMINE ADHESIVE/ WA MEL



Non-flammable acrylic adhesive designed to bond non-porous materials (including melamine, vinyl, high pressure laminate, PVC, metal, finished plywood, stone, tile, and acrylics) to wood and composite surfaces. Dries quickly to produce a clear, water-resistant bond.

Item Number	Size
LW-MEL-PT	1 Pint
LW-MEL-1	1 Gallon
LW-MEL-5	5 Gallon



### WA 121

Extremely flammable hydrocarbon blend specifically formulated to remove overspray/adhesive residue from fabricated parts and decorative surfaces without smearing or leaving an adhesive film.

Item Number	Size
LW-121-1	1 Gallon
LW-121-5	5 Gallon

## AVENTOS



**AVENTOS HF Bi-fold door**  
 Height range 18 $\frac{7}{8}$ " to 42"  
 Width range 15" to 72"  
**Frameless and face frame cabinet**  
 Wood or wide aluminum frame door  
 Narrow aluminum frame door  
 SERVO-DRIVE for AVENTOS



**AVENTOS HS Up-and-over door**  
 Height range 13 $\frac{3}{4}$ " to 31 $\frac{1}{2}$ "  
 Width range 15" to 72"  
**Frameless and face frame cabinet**  
 Wood or wide aluminum frame door  
 Narrow aluminum frame door  
 SERVO-DRIVE for AVENTOS



**AVENTOS HL Lift up door**  
 Height range 11 $\frac{13}{16}$ " to 22 $\frac{13}{16}$ "  
 Width range 15" to 72"  
**Frameless and face frame cabinet**  
 Wood or wide aluminum frame door  
 Narrow aluminum frame door  
 SERVO-DRIVE for AVENTOS



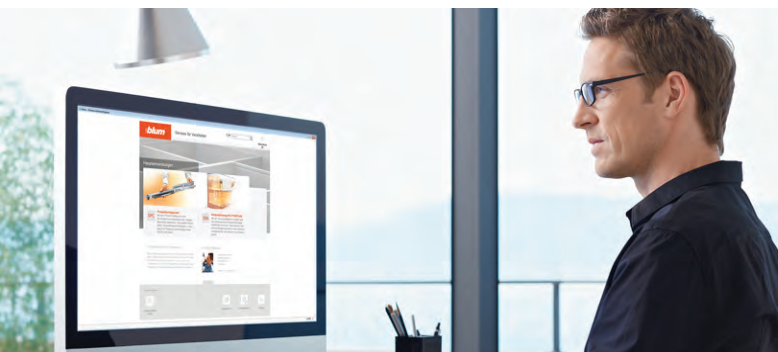
**AVENTOS HK Stay lift door**  
 Height range 9 $\frac{3}{8}$ " to 24"  
 Width range 15" to 72"  
**Frameless and face frame cabinet**  
 Wood or wide aluminum frame door  
 Narrow aluminum frame door  
 SERVO-DRIVE for AVENTOS  
 TIP-ON for AVENTOS



**AVENTOS HK-S Stay lift door**  
 Height range 9 $\frac{3}{8}$ " to 24"  
 Width range 15" to 72"  
**Frameless and face frame cabinet**  
 Wood or wide aluminum frame door  
 Narrow aluminum frame door  
 TIP-ON for AVENTOS



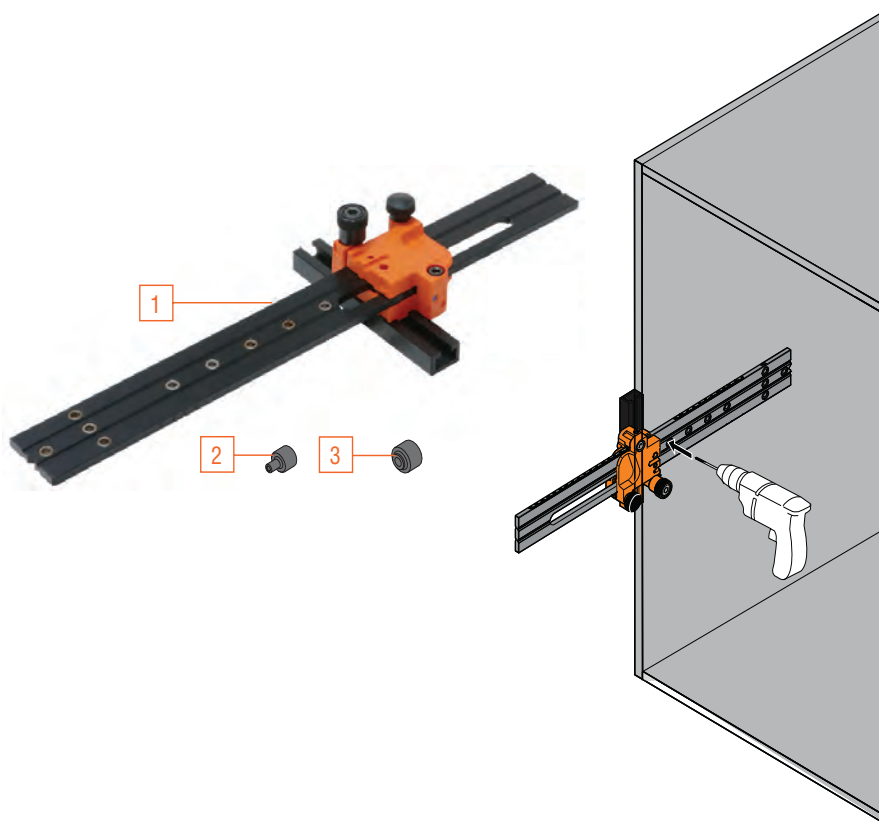
**AVENTOS HK-XS Stay lift door**  
 Height range 9 $\frac{3}{8}$ " to 24"  
 Width range 15" to 72"  
**Frameless and face frame cabinet**  
 Wood or wide aluminum frame door  
 Narrow aluminum frame door  
 TIP-ON for AVENTOS



To get the full parts list for your AVENTOS order please visit <http://www.blum.com/us/en/02/30/30/40/>

**Blum's Online Product Configurator** is a robust application which provides detailed parts lists and planning information. It efficiently defines hardware solutions and provides you with extensive information about Blum's products.

## Universal individual template



Used to pre-bore for AVENTOS lift mechanism locating pins  
 Also used for pre-boring for cabinet profiles and BLUMOTION for doors and TIP-ON for doors adapter plates  
 Calibrated scale for accurate setting

**Set includes:**

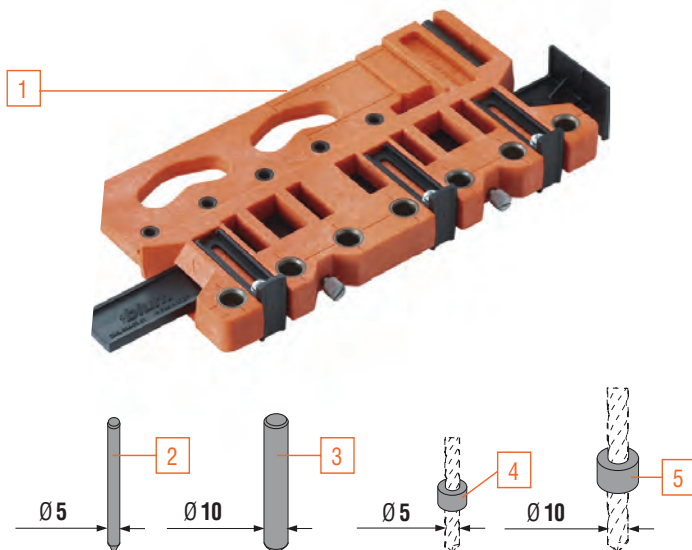
- Universal individual template
- Ø 2.5 stop collar
- Ø 5 stop collar

- Template
- Ø 2.5 drill bit
- Ø 5 drill bit

Part no.

Template	<b>BL- 6 5-1051-02</b>
Ø 2.5 drill bit	<b>BL-DB-2-5mm R</b>
Ø 5 drill bit	<b>BL-DB-5mm R</b>

## Universal boring template



Used to pre-bore AVENTOS telescopic arm and arm assembly mounting plates  
 Can also be use to pre-bore for drawer fronts, bottoms and backs for METABOX and TANDEMBOX drawer systems

**Set includes:**

- Template
- Ø 5 marking pin
- Ø 10 marking pin
- Ø 5 stop collar
- Ø 10 stop collar

- Universal template
- Ø 5 drill bit

Part no.

Universal template	<b>BL- ZML-0040-01</b>
Ø 5 drill bit	<b>BL-DB-5mm R</b>



Blum's Concealed hinges brochure makes it easy to use our Euro hinges. Each page shows information for both face frame and panel applications. The top row shows the hinge in a face frame cabinet and the center row shows it in a panel cabinet. The bottom holds the overlay/reveal tables and hinge part numbers.

### Minimum reveal

To determine the minimum reveal, use the table in the upper right hand corner of each page.

### Face frame construction

To use Euro hinges in a face frame cabinet, use the top row.

### Frameless construction

To use Euro hinges in a panel cabinet, use the center row.

### Overlay and reveal tables

To determine the overlay and reveals, use the tables at the bottom of each column.

### Select hinge

Select the appropriate hinge from the bottom of each column. Screw-on, press-in, EXPANDO and INSERTA are available for most hinges.

Hinges

**CLIP top BLUMOTION 110°**

**Features**

- BLUMOTION integrated into the hinge cup
- Deactivation switch for small/light doors
- For door thicknesses up to 26 (1")
- Overlay safety feature
- 86° angle restriction clip available (70T3553)
- Compatible with existing CLIP mounting plates and hinge arm cover caps

Minimum reveal table					
3	0.5	1.0	1.8	2.7	4.3
4	0.5	1.0	1.7	2.5	3.8
5	0.5	0.9	1.7	2.4	3.4
6	0.5	0.9	1.6	2.3	3.2
7	0.5	0.9	1.6	2.2	3.0
B = boring distance	16	19	22	24	26
T = door thickness					

Thickness greater than 26 trial recommended

**Overlay Frame**

**Partial/twin overlay Frame**

**Inset Frame**

NOTE: Application requires a half-credited hinge and mounting plate 17SH5030.21

**Panel**

**Panel**

**Panel**

H	Overlay					P	S	H	Overlay					P	S	H	Reveal					P	S			
0	14	15	16	17	18	12	21.5	0	4.5	5.5	6.5	7.5	8.5	21.5	31	0	4	3	2	1	-	30	39.5			
3	11	12	13	14	15	15	24.5	3	4	5	6	7	Fixed distance = 1.5		9	4.5	3.5	2.5	1.5	0.5	30.5	40				
4.5	9.5	10.5	11.5	12.5	13.5	16.5	26	B = boring distance						3	4	5	6	7	Fixed distance: 0 = 7 9 = 1.5							
6	8	9	10	11	12	18	27.5	H <th colspan="5">Reveal</th> <th>W</th> <th>P</th> <th>S</th> <td colspan="5">Abbreviations</td>	Reveal					W	P	S	Abbreviations									
9	5	6	7	8	9	21	30.5	7	5	3	1	-	16	H	= Plate height											
3		4		5		6		7		Fixed distance = 11		0	10	8	6	4	2	19	21.5	31	P	= Door protrusion				
B = boring distance								13	11	9	7	5	22	S	= Side arm protrusion											
NOTE: 4.5 plate is only for use in frame cabinets, 9 plate is only for panel cabinets								3	4	5	6	7	W	= Side panel width												
								B = boring distance																		

Straight-arm		Self close		Half-credited		Self close		Full-credited		Self close	
Screw-on	BL-71B3550	Screw-on	BL-71B3650	Screw-on	BL-71B3750						
Press-in	BL-71B3580	Press-in	BL-71B3680	Press-in	BL-71B3780						
INSERTA	BL-71B3590	INSERTA	BL-71B3690	INSERTA	BL-71B3790						
EXPANDO	BL-71B358E										

## Step-by-step – the following example is based on a panel cabinet with an overlay

### Step 1 – Determine cabinet construction

**Face frame**

**Panel**

### Step 2 – Determine the overlay or reveal

**Overlay**

**Partial/twin overlay**

**Inset**

### Step 3 – Find boring distance and mounting plate height

Based on your overlay use the table to determine the mounting plate height and boring distance needed.

H	Overlay					P	S
0	14	15	16	17	10	21	
3	11	12	13	14	13	24	
4.5	9.5	10.5	11.5	12.5	14.5	25.5	
6	8	9	10	11	16	27	
9	5	6	7	8	19	30	
		3	4	5	6	fixed distance = 11	
		B = boring distance					

**NOTE:** 4.5 plate is only for use in face frame cabinets, 9 plate is only for panel cabinets

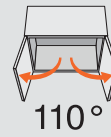
### Step 4 – Check minimum reveal table

All minimum reveal tables are based on square edge door with a 1 mm radius. A larger radius or profile door will change the minimum reveal required.

Minimum reveal table					
3	0.6	1.0	1.3	1.7	2.5
4	0.6	1.0	1.3	1.6	2.4
5	0.6	1.0	1.2	1.5	2.2
6	0.6	1.0	1.2	1.4	2.0
B = boring distance	16	18	19	20	22
T = door thickness					

7 www.compidualistributors.com

# CLIP top BLUMOTION 110°

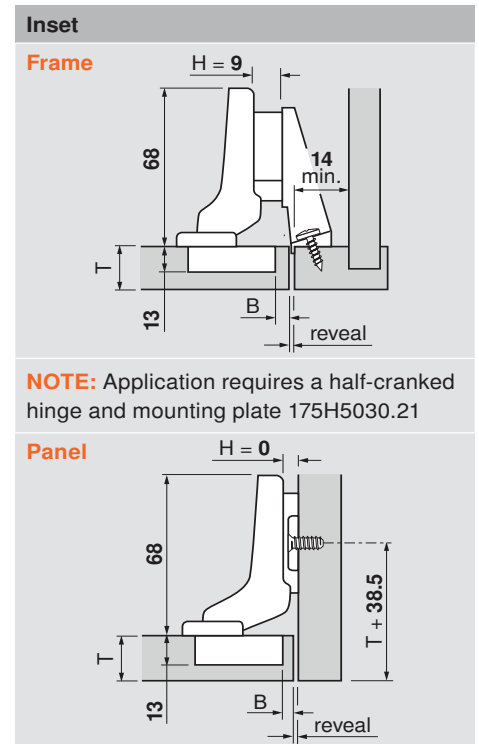
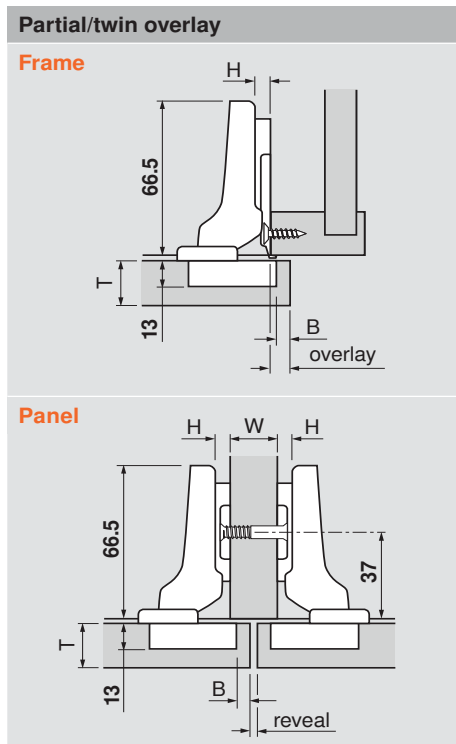
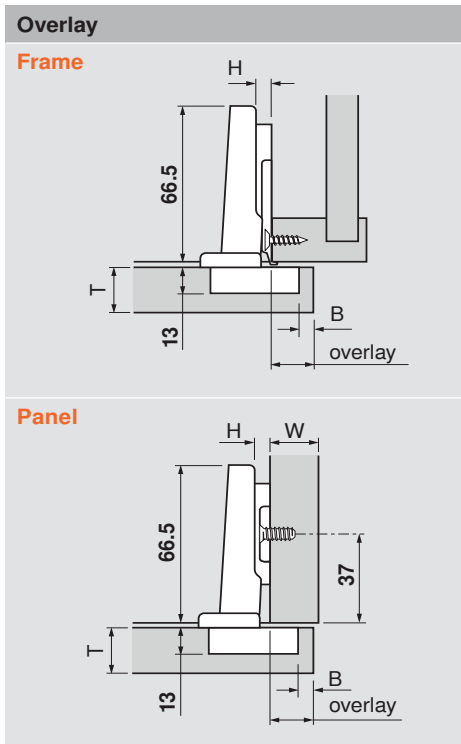


## Features

- ☒ BLUMOTION integrated into the hinge cup
- ☒ Deactivation switch for small/light doors
- ☒ For door thicknesses up to 26 (1")
- ☒ Overload safety feature
- ☒ 86° angle restriction clip available (70T3553)
- ☒ Compatible with existing CLIP mounting plates and hinge arm cover caps

Minimum reveal table						
3	0.5	1.0	1.8	2.7	4.3	
4	0.5	1.0	1.7	2.5	3.8	
5	0.5	0.9	1.7	2.4	3.4	
6	0.5	0.9	1.6	2.3	3.2	
7	0.5	0.9	1.6	2.2	3.0	
B = boring distance	16	19	22	24	26	
T = door thickness						

Thickness greater than 26 trial recommended



**NOTE:** Application requires a half-cranked hinge and mounting plate 175H5030.21

H	Overlay						P	S
0	14	15	16	17	18	12	21.5	
3	11	12	13	14	15	15	24.5	
4.5	9.5	10.5	11.5	12.5	13.5	16.5	26	
6	8	9	10	11	12	18	27.5	
9	5	6	7	8	9	21	30.5	
	3	4	5	6	7	Fixed distance = 11		
	B = boring distance							

**NOTE:** 4.5 plate is only for use in frame cabinets, 9 plate is only for panel cabinets

H	Overlay					P	S
0	4.5	5.5	6.5	7.5	8.5	21.5	31
	3	4	5	6	7	Fixed distance = 1.5	
	B = boring distance						
H	Reveal				W	P	S
0	7	5	3	1	-	16	
	10	8	6	4	2	19	21.5 31
	13	11	9	7	5	22	
	3	4	5	6	7	Fixed distance = 1.5	
	B = boring distance						

H	Reveal					P	S
0	4	3	2	1	-	30	39.5
9	4.5	3.5	2.5	1.5	0.5	30.5	40
	3	4	5	6	7	Fixed distance: 0 = -7, 9 = 1.5	
	B = boring distance						

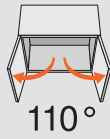
### Abbreviations

- H = Plate height
- P = Door protrusion
- S = Side arm protrusion
- W = Side panel width

Straight-arm	Self close
Screw-on	BL-71B3550
Press-in	BL-71B3580
INSERTA	BL-71B3590
EXPANDO	BL-71B358E

Half-cranked	Self close
Screw-on	BL-71B3650
Press-in	BL-71B3680
INSERTA	BL-71B3690

Full-cranked	Self close
Screw-on	BL-71B3750
Press-in	BL-71B3780
INSERTA	BL-71B3790



# CLIP top BLUMOTION 110° +

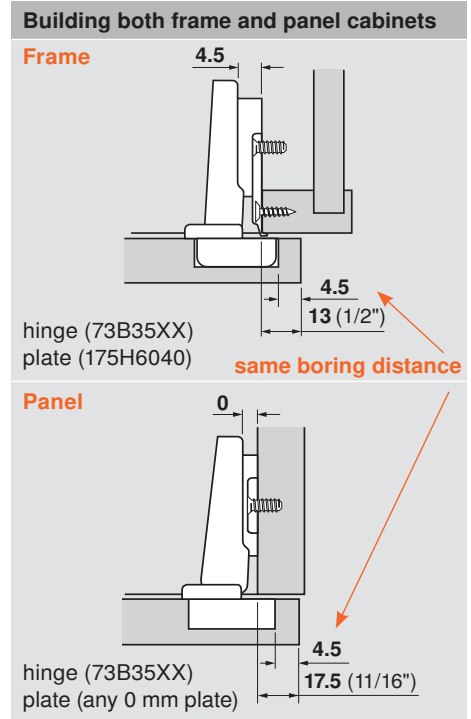
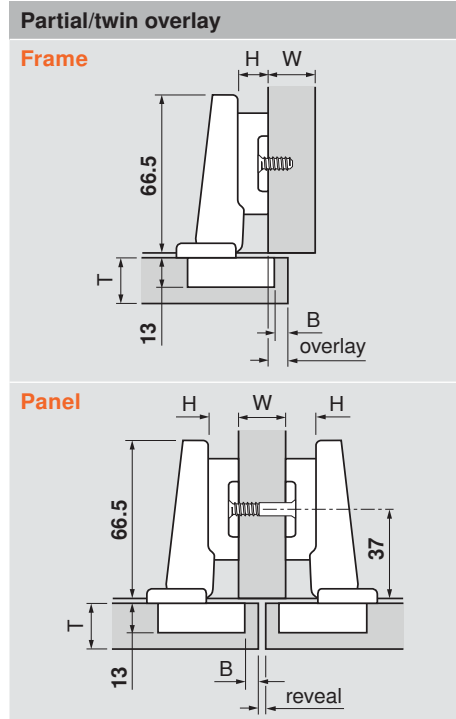
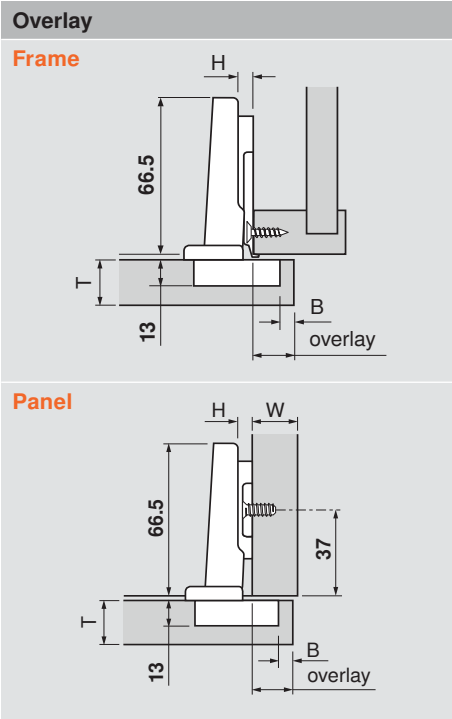


## Features

- ☒ BLUMOTION integrated into the hinge cup
- ☒ Deactivation switch for small/light doors
- ☒ For door thicknesses up to 26 (1")
- ☒ Overload safety feature
- ☒ For door overlays up to 22 mm
- ☒ 86° angle restriction clip available (70T3553)
- ☒ Compatible with existing CLIP mounting plates and hinge arm cover caps

Minimum reveal table						
3	0.5	1.0	1.8	2.7	4.3	
4	0.5	1.0	1.7	2.5	3.8	
4.5	0.5	1.0	1.7	2.5	3.6	
5	0.5	0.9	1.7	2.4	3.4	
6	0.5	0.9	1.6	2.3	3.2	
7	0.5	0.9	1.6	2.2	3.0	
B = boring distance	16	19	22	24	26	
	T = door thickness					

Thickness greater than 26 trial recommended



H	Overlay							P	S
0	16	17	17.5	18	19	20	10	20	
3	13	14	14.5	15	16	17	13	23	
4.5	11.5	12.5	13	13.5	14.5	15.5	14.5	24.5	
6	10	11	11.5	12	13	14	16	26	
9	7	8	8.5	9	10	11	19	29	
	3	4	4.5	5	6	7	Fixed distance = 13		
	B = boring distance								

**NOTE:** 4.5 plate is only for use in frame cabinets, 9 plate is only for panel cabinets

H	Overlay							P	S
9	7	8	8.5	9	10	11	19	29	
	3	4	4.5	5	6	7	Fixed distance = 13		
	B = boring distance								
H	Reveal						W	P	S
9	2	-	-	-	-	-	16		
	5	3	2	-	-	-	19	19	29
	8	6	5	4	-	-	22		
	3	4	4.5	5	6	7			
	B = boring distance								

The most common overlays for frame and panel cabinets can be achieved by using the same machine setting for hinge cup boring.

### Bore all doors at 4.5 mm to achieve:

- ☒ 13 (1/2") overlay on frame cabinets
- ☒ 17.5 (11/16") overlay on panel cabinets

### Advantages:

- ☒ One machine setting for boring all doors
- ☒ Same hinge used for both applications

Straight-arm	Self close
Screw-on	BL-73B3550
Press-in	BL-73B3580
INSERTA	BL-73B3590
EXPANDO	BL-73B358E

Straight-arm	Self close
Screw-on	BL-73B3550
Press-in	BL-73B3580
INSERTA	BL-73B3590
EXPANDO	BL-73B358E

Abbreviations	
H	= Plate height
P	= Door protrusion
S	= Side arm protrusion
W	= Side panel width

Dimensions in millimeters

# CLIP top BLUMOTION 95° thick door

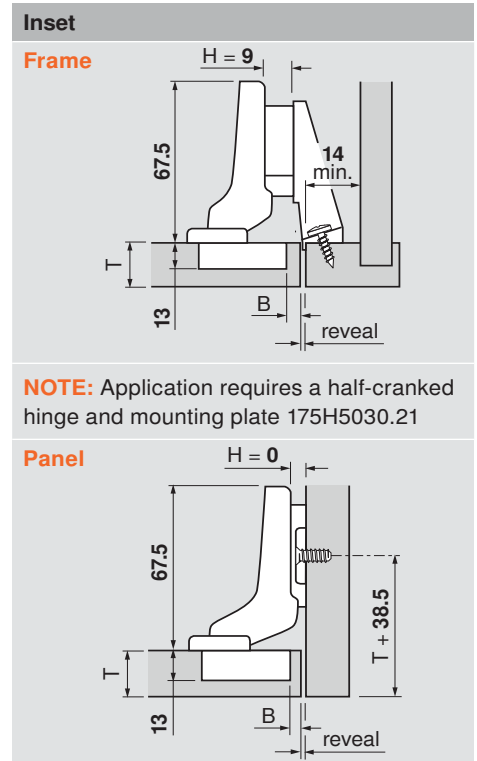
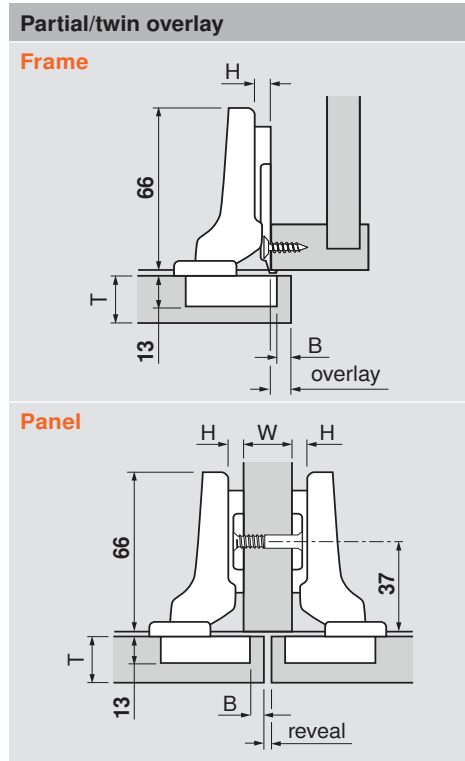
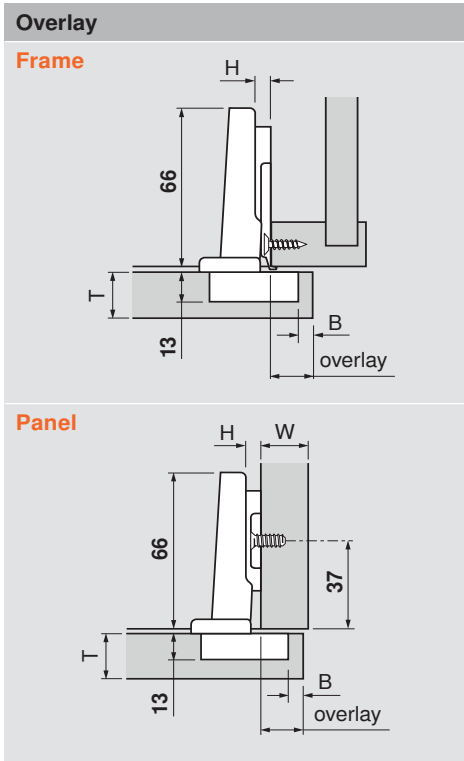


## Features

- ✘ BLUMOTION integrated into the hinge cup
- ✘ Deactivation switch for small/light doors
- ✘ For door thicknesses up to 30 (1-3/16")
- ✘ Overload safety feature
- ✘ Compatible with existing CLIP mounting plates and hinge arm cover caps

Minimum reveal table							
3	0.4	0.8	1.0	1.5	1.9	2.8	3.6
4	0.4	0.7	1.0	1.4	1.8	2.5	3.1
5	0.4	0.7	1.0	1.4	1.8	2.3	2.7
6	0.4	0.7	1.0	1.4	1.8	2.2	2.5
7	0.4	0.7	0.9	1.4	1.7	2.1	2.4
B = boring distance	19	22	24	26	28	29	30
T = door thickness							

Thickness greater than 30 trial recommended



**NOTE:** Application requires a half-cranked hinge and mounting plate 175H5030.21

H	Overlay						P	S
0	14	15	16	17	18	14.5	22	
3	11	12	13	14	15	17.5	25	
4.5	9.5	10.5	11.5	12.5	13.5	19	26.5	
6	8	9	10	11	12	20.5	28	
9	5	6	7	8	9	23.5	31	
	3	4	5	6	7	Fixed distance = 11		
	B = boring distance							

H	Overlay					P	S
0	4.5	5.5	6.5	7.5	8.5	24	31
	3	4	5	6	7	Fixed distance = 1.5	
	B = boring distance						

H	Reveal					P	S
0	4	3	2	1	-	32.5	40
9	4.5	3.5	2.5	1.5	0.5	33	40.5
	3	4	5	6	7	Fixed distance: 0 = -7 9 = 1.5	
	B = boring distance						

H	Reveal					W	P	S
	7	5	3	1	-	16		
0	10	8	6	4	2	19	24	31
	13	11	9	7	5	22		
	3	4	5	6	7			
	B = boring distance							

## Abbreviations

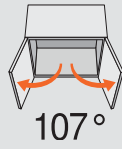
- H = Plate height
- P = Door protrusion
- S = Side arm protrusion
- W = Side panel width

**NOTE:** 4.5 plate is only for use in frame cabinets, 9 plate is only for panel cabinets

Straight-arm	Self close
Screw-on	BL-71B9550
Press-in	BL-71B9580
INSERTA	BL-71B9590

Half-cranked	Self close
Screw-on	BL-71B9650
Press-in	BL-71B9680
INSERTA	BL-71B9690

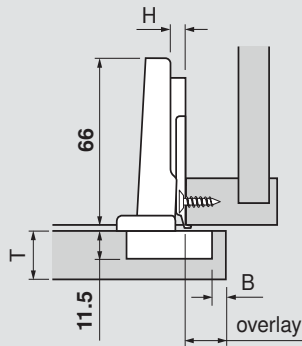
Full-cranked	Self close
Screw-on	BL-71B9750
Press-in	BL-71B9780
INSERTA	BL-71B9790


**Features**

- ✘ Three-dimensional adjustment
- ✘ Available with INSERTA attachment
- ✘ For door thicknesses up to **22** (7/8")
- ✘ 86° angle restriction clip available (74.1103)
- ✘ All metal hinge, nickel-plated
- ✘ Add-on BLUMOTION soft close available

Minimum reveal table					
<b>3</b>	<b>0.6</b>	<b>1.0</b>	<b>1.3</b>	<b>1.7</b>	<b>2.5</b>
<b>4</b>	<b>0.6</b>	<b>1.0</b>	<b>1.3</b>	<b>1.6</b>	<b>2.4</b>
<b>5</b>	<b>0.6</b>	<b>1.0</b>	<b>1.2</b>	<b>1.5</b>	<b>2.2</b>
<b>6</b>	<b>0.6</b>	<b>1.0</b>	<b>1.2</b>	<b>1.4</b>	<b>2.0</b>
B = boring distance	<b>16</b>	<b>18</b>	<b>19</b>	<b>20</b>	<b>22</b>
T = door thickness					

 Thickness greater than **22** trial recommended

**Overlay**
**Frame**


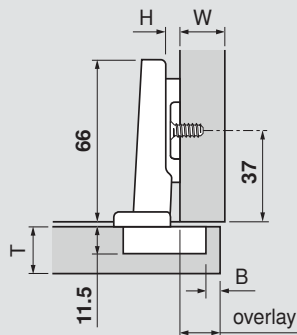
H	Overlay					P	S
<b>0</b>	<b>14</b>	<b>15</b>	<b>16</b>	<b>17</b>	<b>10</b>	<b>21</b>	
<b>3</b>	<b>11</b>	<b>12</b>	<b>13</b>	<b>14</b>	<b>13</b>	<b>24</b>	
<b>4.5</b>	<b>9.5</b>	<b>10.5</b>	<b>11.5</b>	<b>12.5</b>	<b>14.5</b>	<b>25.5</b>	
<b>6</b>	<b>8</b>	<b>9</b>	<b>10</b>	<b>11</b>	<b>16</b>	<b>27</b>	
<b>9</b>	<b>5</b>	<b>6</b>	<b>7</b>	<b>8</b>	<b>19</b>	<b>30</b>	
	<b>3</b>	<b>4</b>	<b>5</b>	<b>6</b>	Fixed distance = 11		
	B = boring distance						

**NOTE:** 4.5 plate is only for use in face frame cabinets, 9 plate is only for panel cabinets

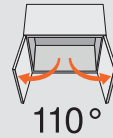
**Abbreviations**

H	=	Plate height
P	=	Door protrusion
S	=	Side arm protrusion
W	=	Side panel width

Straight-arm	Self close
Screw-on	<b>BL-75T1550</b>
Press-in	<b>BL-75T1580</b>
INSERTA	<b>BL-75T1590B</b>

**Panel**


# CLIP top 110°



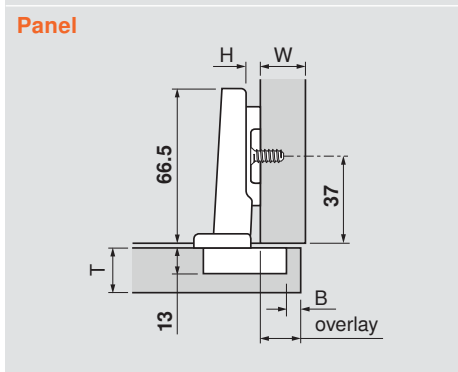
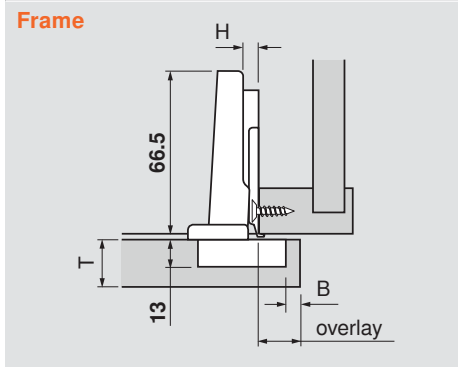
## Features

- ✘ Three-dimensional adjustment
- ✘ Available with INSERTA attachment
- ✘ INSERTA lever expands in Ø8 mm holes
- ✘ For door thicknesses up to 26 (1")
- ✘ 86° angle restriction clip available (70T3553)
- ✘ All metal hinge, nickel plated
- ✘ Add-on BLUMOTION soft close available

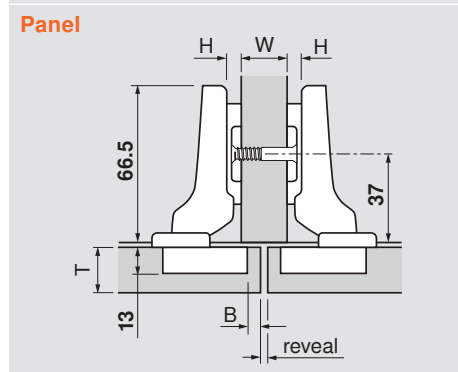
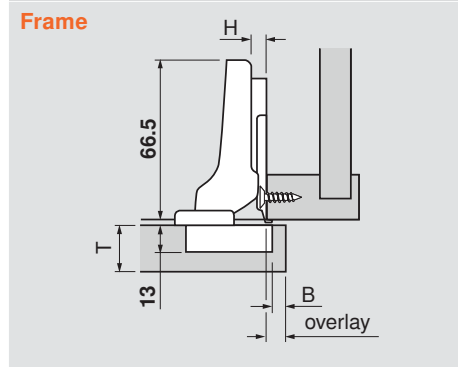
Minimum reveal table					
3	0.5	1.0	1.8	2.7	4.3
4	0.5	1.0	1.7	2.5	3.8
5	0.5	0.9	1.7	2.4	3.4
6	0.5	0.9	1.6	2.3	3.2
7	0.5	0.9	1.6	2.2	3.0
B = boring distance	16	19	22	24	26
T = door thickness					

Thickness greater than 26 trial recommended

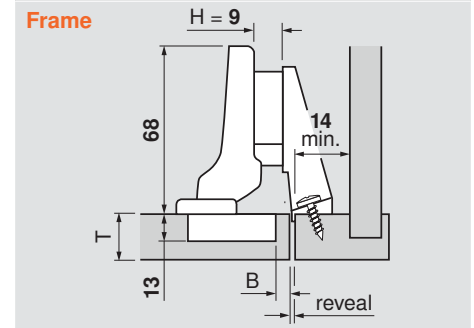
## Overlay



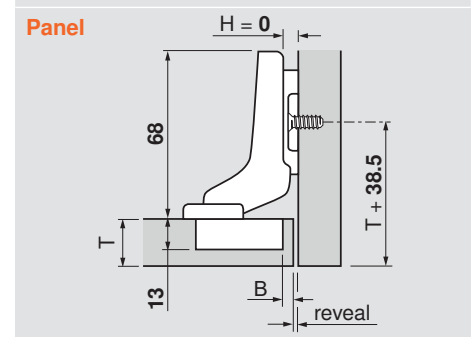
## Partial/twin overlay



## Inset



**NOTE:** Application requires a half-cranked hinge and mounting plate 175H5030.21



H	Overlay					P	S
0	14	15	16	17	18	12	21.5
3	11	12	13	14	15	15	24.5
4.5	9.5	10.5	11.5	12.5	13.5	16.5	26
6	8	9	10	11	12	18	27.5
9	5	6	7	8	9	21	30.5
	3	4	5	6	7	Fixed distance = 11	
	B = boring distance						

**NOTE:** 4.5 plate is only for use in frame cabinets, 9 plate is only for panel cabinets

H	Overlay					P	S	
0	4.5	5.5	6.5	7.5	8.5	21.5	31	
	3	4	5	6	7	Fixed distance = 1.5		
	B = boring distance							
H	Reveal					W	P	S
0	7	5	3	1	-	16		
	10	8	6	4	2	19	21.5	31
	13	11	9	7	5	22		
	3	4	5	6	7			
	B = boring distance							

**NOTE:** Application requires a half-cranked hinge and mounting plate 175H5030.21

H	Reveal					P	S
0	4	3	2	1	-	30	39.5
9	4.5	3.5	2.5	1.5	0.5	30.5	40
	3	4	5	6	7	Fixed distance: 0 = -7, 9 = 1.5	
	B = boring distance						

**NOTE:** Application requires a half-cranked hinge and mounting plate 175H5030.21

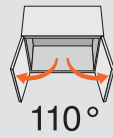
**Abbreviations**

H	=	Plate height
P	=	Door protrusion
S	=	Side arm protrusion
W	=	Side panel width

Straight-arm	Self close	Free swing
Screw-on	BL-71T3550	BL-70T3550-TL
Press-in	BL-71T3580	BL-70T3580-TL

Half-cranked	Self close	Free swing
Screw-on	BL-71T3650	BL-70T3650-TL
Press-in	BL-71T3680	

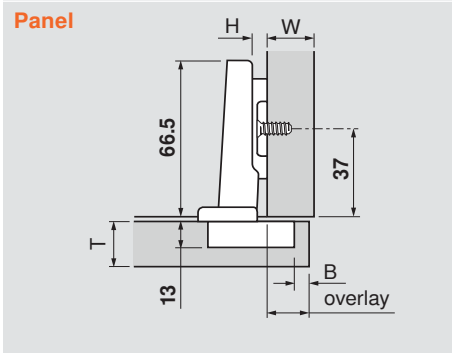
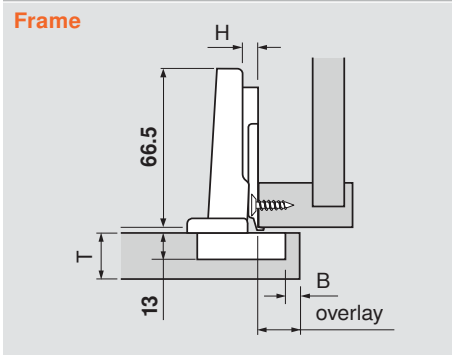
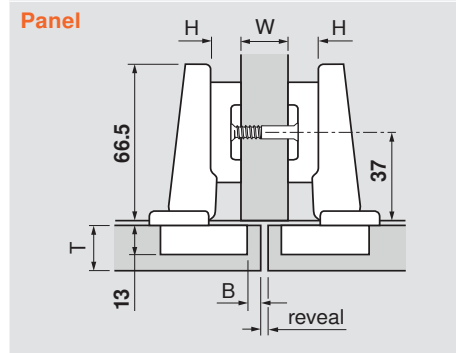
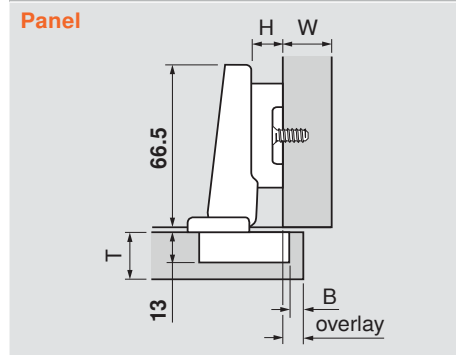
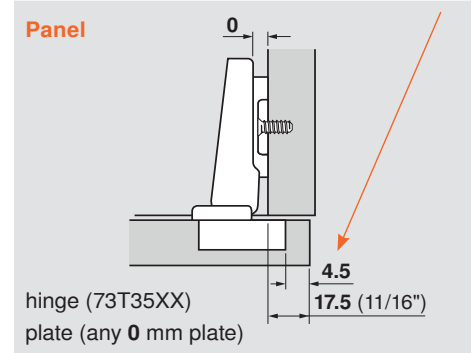
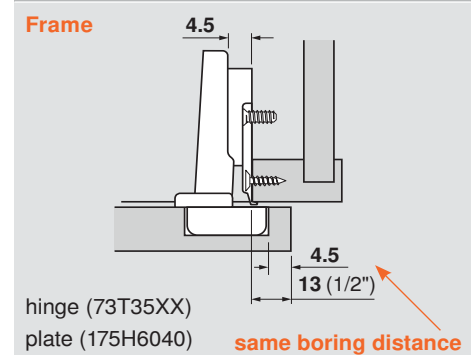
Full-cranked	Self close	Free swing
Screw-on	BL-71T3750	BL-70T3750-TL
Press-in	BL-71T3780	


**Features**

- ☒ For larger overlays (22 mm maximum)
- ☒ Three-dimensional adjustment
- ☒ Available with INSERTA attachment
- ☒ INSERTA lever expands in Ø8 mm holes
- ☒ For door thicknesses up to 26 (1")
- ☒ 86° angle restriction clip available (70T3553)
- ☒ All metal hinge, nickel plated
- ☒ Add-on BLUMOTION soft close available

Minimum reveal table						
3	0.5	1.0	1.8	2.7	4.3	
4	0.5	1.0	1.7	2.5	3.8	
4.5	0.5	1.0	1.7	2.5	3.6	
5	0.5	0.9	1.7	2.4	3.4	
6	0.5	0.9	1.6	2.3	3.2	
7	0.5	0.9	1.6	2.2	3.0	
B = boring distance	16	19	22	24	26	T = door thickness

Thickness greater than 26 trial recommended

**Overlay**

**Partial/twin overlay**

**Building both frame and panel cabinets**


H	Overlay						P	S
0	16	17	17.5	18	19	20	10	20
3	13	14	14.5	15	16	17	13	23
4.5	11.5	12.5	13	13.5	14.5	15.5	14.5	24.5
6	10	11	11.5	12	13	14	16	26
9	7	8	8.5	9	10	11	19	29
	3	4	4.5	5	6	7	Fixed distance = 13	
	B = boring distance							

**NOTE:** 4.5 plate is only for use in frame cabinets, 9 plate is only for panel cabinets

H	Overlay						P	S
9	7	8	8.5	9	10	11	19	29
	3	4	4.5	5	6	7	Fixed distance = 13	
	B = boring distance							
H	Reveal					W	P	S
2	-	-	-	-	-	16		
9	5	3	2	-	-	19	19	29
	8	6	5	4	-	22		
	3	4	4.5	5	6	7		
	B = boring distance							

The most common overlays for frame and panel cabinets can be achieved by using the same machine setting for hinge cup boring.

- Bore all doors at 4.5 mm to achieve:**
- ☒ 13 (1/2") overlay on frame cabinets
  - ☒ 17.5 (11/16") overlay on panel cabinets

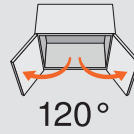
- Advantages:**
- ☒ One machine setting for boring all doors
  - ☒ Same hinge used for both applications

Straight-arm	Self close	Free swing
Screw-on	BL-73T3550	BL-72T3550-TL
Press-in	BL-73T3580	BL-72T3580-TL
INSERTA	BL-73T3590	BL-72T3590-TL
EXPANDO	BL-73T358E	

Straight-arm	Self close	Free swing
Screw-on	BL-73T3550	BL-72T3550-TL
Press-in	BL-73T3580	BL-72T3580-TL
INSERTA	BL-73T3590	BL-72T3590-TL
EXPANDO	BL-73T358E	

Abbreviations	
H	= Plate height
P	= Door protrusion
S	= Side arm protrusion
W	= Side panel width

# CLIP top 120°

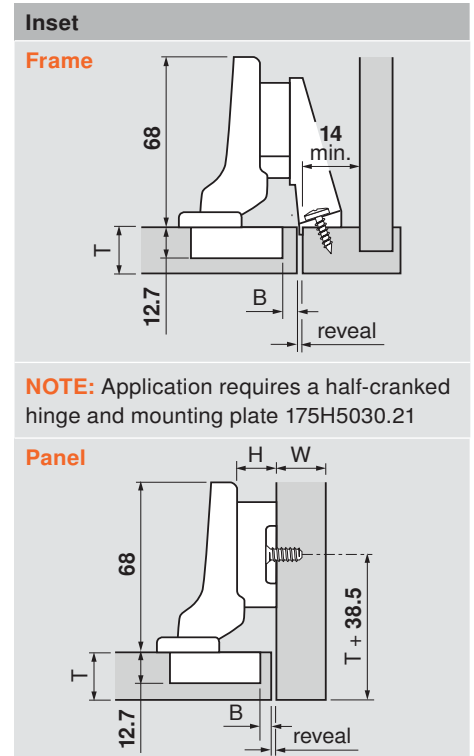
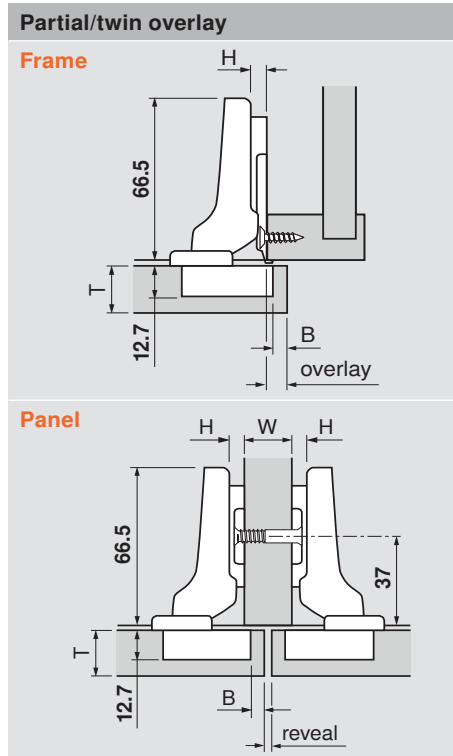
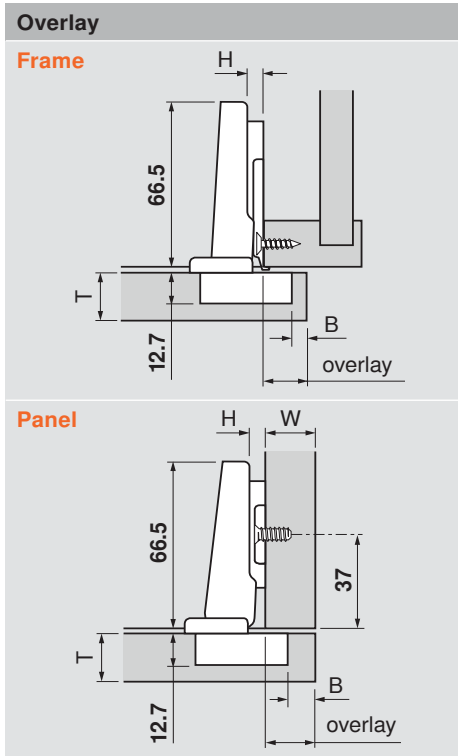


## Features

- ✘ Three-dimensional adjustment
- ✘ Available with INSERTA attachment
- ✘ For door thicknesses up to **22** (7/8")
- ✘ All metal hinge, nickel-plated
- ✘ Add-on BLUMOTION soft close available

Minimum reveal table					
<b>3</b>	<b>1.2</b>	<b>1.7</b>	<b>2.0</b>	<b>2.4</b>	<b>3.3</b>
<b>4</b>	<b>1.2</b>	<b>1.7</b>	<b>2.0</b>	<b>2.3</b>	<b>3.1</b>
<b>5</b>	<b>1.1</b>	<b>1.6</b>	<b>1.9</b>	<b>2.2</b>	<b>3.0</b>
<b>6</b>	<b>1.1</b>	<b>1.6</b>	<b>1.9</b>	<b>2.2</b>	<b>2.9</b>
B = boring distance	<b>16</b>	<b>18</b>	<b>19</b>	<b>20</b>	<b>22</b>
	T = door thickness				

Thickness greater than **22** trial recommended



**NOTE:** Application requires a half-cranked hinge and mounting plate 175H5030.21

H	Overlay				P	S
0	14	15	16	17	11.5	20.5
3	11	12	13	14	14.5	23.5
4.5	9.5	10.5	11.5	12.5	16	25
6	8	9	10	11	17.5	26.5
9	5	6	7	8	20.5	29.5
	3	4	5	6	Fixed distance = 11	
	B = boring distance					

**NOTE:** 4.5 plate is only for use in face frame cabinets, 9 plate is only for panel cabinets

H	Overlay				P	S	
0	4.5	5.5	6.5	7.5	21.5	30	
	3	4	5	6	Fixed distance = 1.5		
	B = boring distance						
H	Reveal				W	P	S
0	7	5	3	1	16	21.5	30
	10	8	6	4	19		
	13	11	9	7	22		
	3	4	5	6			
	B = boring distance						

H	Reveal				P	S
9	4.5	3.5	2.5	1.5	30.5	39
	3	4	5	6	Fixed distance = -7.5	
	B = boring distance					

## Abbreviations

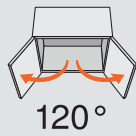
- H = Plate height
- P = Door protrusion
- S = Side arm protrusion
- W = Side panel width

Straight-arm	Self close
Screw-on	<b>BL-71T5550</b>
Press-in	<b>BL-71T5580</b>
INSERTA	<b>BL-71T5590B</b>
EXPANDO	<b>BL-71T558E</b>

Half-cranked	Self close
Screw-on	<b>BL-71T5650</b>
Press-in	<b>BL-71T5680</b>
INSERTA	<b>BL-71T5690B</b>

Half-cranked	Self close
Screw-on	<b>BL-71T5650</b>
Press-in	<b>BL-71T5680</b>
INSERTA	<b>BL-71T5690B</b>

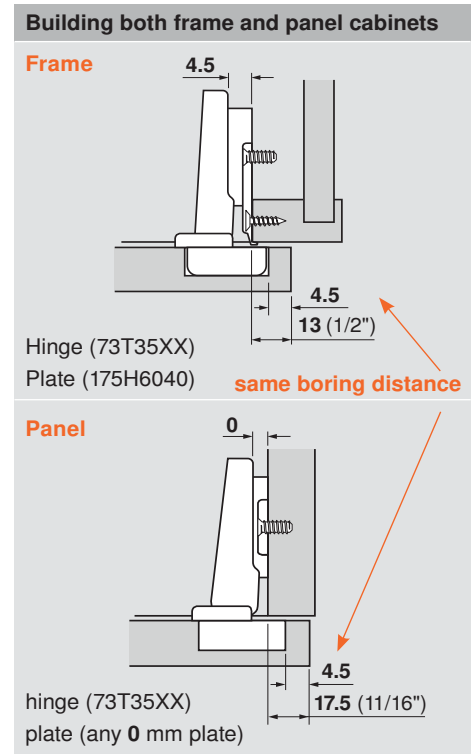
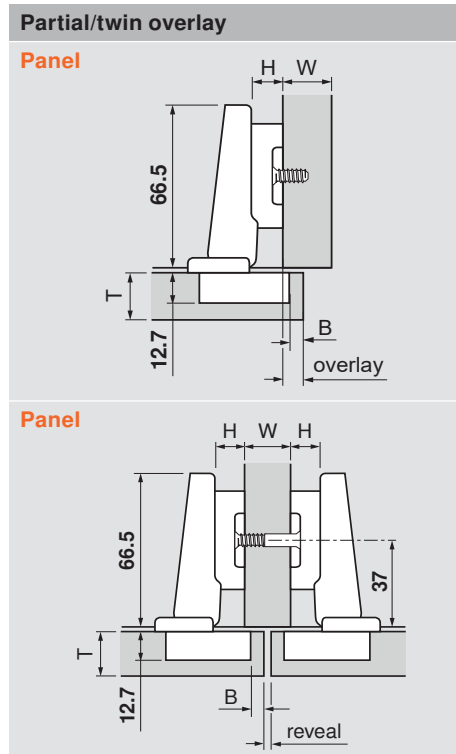
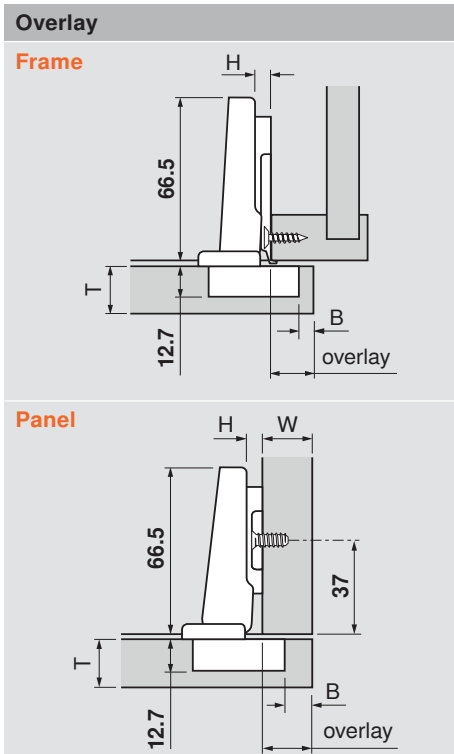



**Features**

- ☒ For larger overlays (21 mm maximum)
- ☒ Three-dimensional adjustment
- ☒ Available with INSERTA attachment
- ☒ For door thicknesses up to 22 (7/8")
- ☒ All metal hinge, nickel-plated
- ☒ Add-on BLUMOTION soft close available

Minimum reveal table					
3	1.2	1.7	2.0	2.4	3.3
4	1.2	1.7	2.0	2.3	3.1
4.5	1.1	1.6	1.9	2.2	3.0
5	1.1	1.6	1.9	2.2	3.0
6	1.1	1.6	1.9	2.2	2.9
B = boring distance	16	18	19	20	22
T = door thickness					

Thickness greater than 22 trial recommended



H	Overlay					P	S
0	16	17	17.5	18	19	12	21.5
3	13	14	14.5	15	16	15	24.5
4.5	11.5	12.5	13	13.5	14.5	16.5	26
6	10	11	11.5	12	13	18	27.5
9	7	8	8.5	9	10	21	30.5
	3	4	4.5	5	6	Fixed distance = 13	
	B = boring distance						

**NOTE:** 4.5 plate is only for use in face frame cabinets, 9 plate is only for panel cabinets

H	Overlay					P	S	
9	7	8	8.5	9	10	18.5	28	
	3	4	4.5	5	6	Fixed distance = 13		
	B = boring distance							
H	Reveal					W	P	S
	2	-	-	-	-	16		
9	5	3	2	-	-	19	18.5	28
	8	6	5	4	-	22		
	3	4	4.5	5	6			
	B = boring distance							

The most common overlays for frame and panel cabinets can be achieved by using the same machine setting for hinge cup boring.

**Bore all doors at 4.5 mm to achieve:**

- ☒ 13 (1/2") overlay on frame cabinets
- ☒ 17.5 (11/16") overlay on panel cabinets

**Advantages:**

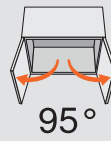
- ☒ One machine setting for boring all doors
- ☒ Same hinge used for both applications

Straight-arm	Self close
Screw-on	BL-73T5550
Press-in	BL-73T5580
INSERTA	BL-73T5590B
EXPANDO	BL-73T558E

Straight-arm	Self close
Screw-on	BL-73T5550
Press-in	BL-73T5580
INSERTA	BL-73T5590B
EXPANDO	BL-73T558E

Abbreviations	
H	= Plate height
P	= Door protrusion
S	= Side arm protrusion
W	= Side panel width

# CLIP top 95° thick door

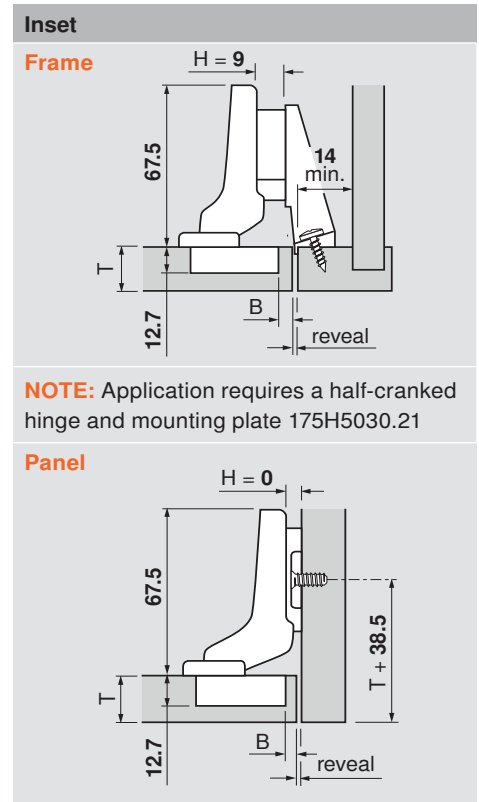
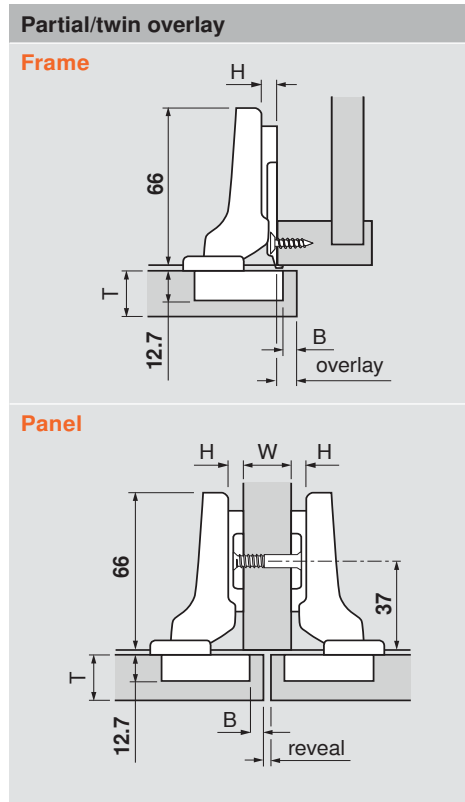
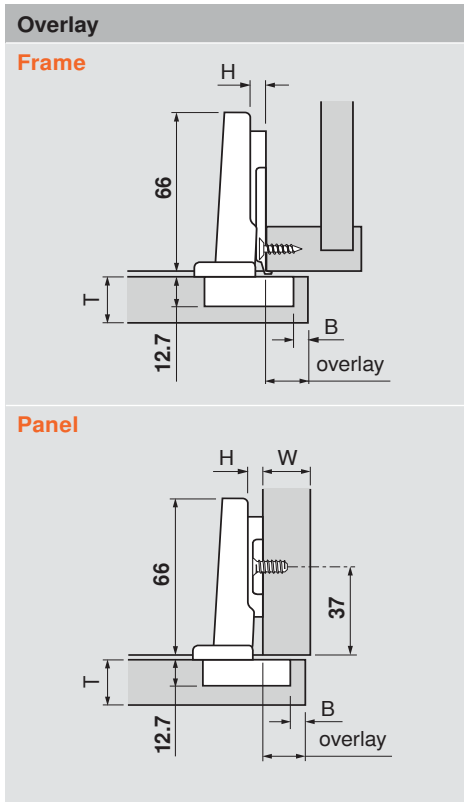


## Features

- ☒ Three-dimensional adjustment
- ☒ Available with INSERTA attachment
- ☒ For door thicknesses up to **30** (1-3/16")
- ☒ All metal hinge, nickel-plated
- ☒ Add-on BLUMOTION soft close available

Minimum reveal table							
<b>3</b>	<b>0.4</b>	<b>0.8</b>	<b>1.0</b>	<b>1.5</b>	<b>1.9</b>	<b>2.8</b>	<b>3.6</b>
<b>4</b>	<b>0.4</b>	<b>0.7</b>	<b>1.0</b>	<b>1.4</b>	<b>1.8</b>	<b>2.5</b>	<b>3.1</b>
<b>5</b>	<b>0.4</b>	<b>0.7</b>	<b>1.0</b>	<b>1.4</b>	<b>1.8</b>	<b>2.3</b>	<b>2.7</b>
<b>6</b>	<b>0.4</b>	<b>0.7</b>	<b>1.0</b>	<b>1.4</b>	<b>1.8</b>	<b>2.2</b>	<b>2.5</b>
<b>7</b>	<b>0.4</b>	<b>0.7</b>	<b>0.9</b>	<b>1.4</b>	<b>1.7</b>	<b>2.1</b>	<b>2.4</b>
B = boring distance	<b>19</b>	<b>22</b>	<b>24</b>	<b>26</b>	<b>28</b>	<b>29</b>	<b>30</b>
	T = door thickness						

Thickness greater than **30** trial recommended



**NOTE:** Application requires a half-cranked hinge and mounting plate 175H5030.21

H	Overlay					P	S
0	14	15	16	17	18	14.5	22
3	11	12	13	14	15	17.5	25
4.5	9.5	10.5	11.5	12.5	13.5	19	26.5
6	8	9	10	11	12	20.5	28
9	5	6	7	8	9	23.5	31
	3	4	5	6	7	Fixed distance = 11	
	B = boring distance						

**NOTE:** 4.5 plate is only for use in frame cabinets, 9 plate is only for panel cabinets

H	Overlay					P	S	
0	4.5	5.5	6.5	7.5	8.5	24	31	
	3	4	5	6	7	Fixed distance = 1.5		
	B = boring distance							
H	Reveal					W	P	S
0	7	5	3	1	-	16		
	10	8	6	4	2	19	24	31
	13	11	9	7	5	22		
	3	4	5	6	7	B = boring distance		

H	Reveal					P	S
0	4	3	2	1	-	32.5	40
9	4.5	3.5	2.5	1.5	0.5	33	40.5
	3	4	5	6	7	Fixed distance: 0 = 7, 9 = 1.5	
	B = boring distance						

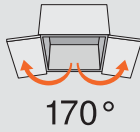
### Abbreviations

- H = Plate height
- P = Door protrusion
- S = Side arm protrusion
- W = Side panel width

Straight-arm	Self close	
Press-in	<b>BL-71T9580</b>	
INSERTA	<b>BL-71T9590B</b>	

Half-cranked	Self close	
Press-in	<b>BL-71T9680</b>	
INSERTA	<b>BL-71T9690B</b>	

Full-cranked	Self close	
Press-in	<b>BL-71T9780</b>	
INSERTA	<b>BL-71T9790B</b>	


**Features**

- ☒ Three-dimensional adjustment
- ☒ Available with INSERTA attachment
- ☒ For door thicknesses up to 24 (15/16")
- ☒ 130° angle restriction clip available (70.6103)
- ☒ All metal hinge, nickel-plated
- ☒ Add-on BLUMOTION soft close available

Minimum reveal table						
3	0	0	0	0	0.2	2.2
4	0	0	0	0	0	1.4
5	0	0	0	0	0	0.9
6	0	0	0	0	0	0
7	0	0	0	0	0	0
8	0	0	0	0	0	0
B = boring distance	16	18	19	20	22	24
T = door thickness						

Thickness greater than 24 trial recommended

**Overlay**

**Frame**

**Panel**

**NOTE:** 175H6xxx or 175L6600.24 recommended

**Partial/twin overlay**

**Frame**

**Panel**

**Inset**

Inset application not recommended with 170° hinges and the inset face frame adapter (175H5030.21)

**Panel**

H	Overlay							P	S
0	14	15	16	17	18	19	1.5	65	
3	11	12	13	14	15	16	4.5	68	
4.5	9.5	10.5	11.5	12.5	13.5	14.5	6	69.5	
6	8	9	10	11	12	13	7.5	71	
9	5	6	7	8	9	10	10.5	74	
	3	4	5	6	7	8	Fixed distance = 11		
	B = boring distance								

**NOTE:** 4.5 plate is only for use in face frame cabinets, 9 plate is only for panel cabinets

H	Overlay							P	S
0	4.5	5.5	6.5	7.5	8.5	9.5	11	75	
	3	4	5	6	7	8	Fixed distance = 1.5		
	B = boring distance								

H	Reveal					W	P	S
	7	5	3	1	-	-	16	
0	10	8	6	4	2	0	19	75
	13	11	9	7	5	3	22	
	3	4	5	6	7	8		
	B = boring distance							

H	Reveal							P	S
9	4.5	3.5	2.5	1.5	0.5	-	20	84	
	3	4	5	6	7	8	Fixed distance = -7.5		
	B = boring distance								

**Abbreviations**

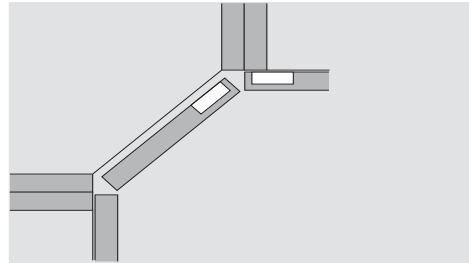
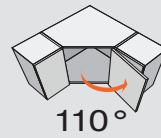
H	=	Plate height
P	=	Door protrusion
S	=	Side arm protrusion
W	=	Side panel width

Straight-arm	Self close	Free swing
Screw-on	BL-71T6550	BL-70T6550-TL
Press-in	BL-71T6580	
INSERTA	BL-71T6540B	BL-70T6540BTL

Half-cranked	Self close	Free swing
Screw-on	BL-71T6650	BL-70T6650-TL
Press-in	BL-71T6680	
INSERTA	BL-71T6640B	

Half-cranked	Self close	Free swing
Screw-on	BL-71T6650	BL-70T6650-TL
Press-in	BL-71T6680	
INSERTA	BL-71T6640B	

**CLIP top 110°  
diagonal 45°**

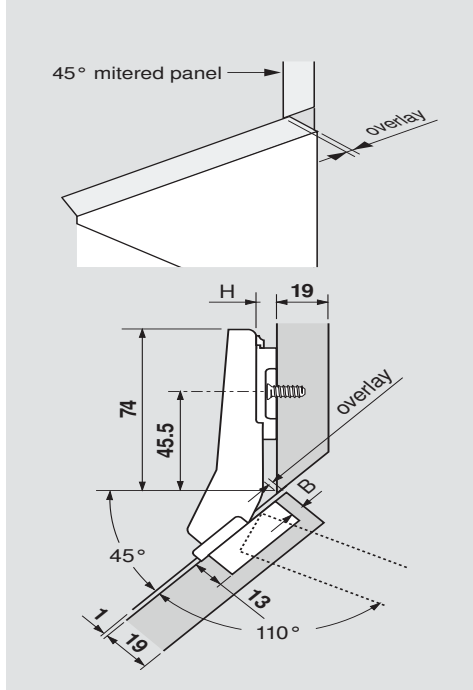


Thickness greater than **19** trial recommended

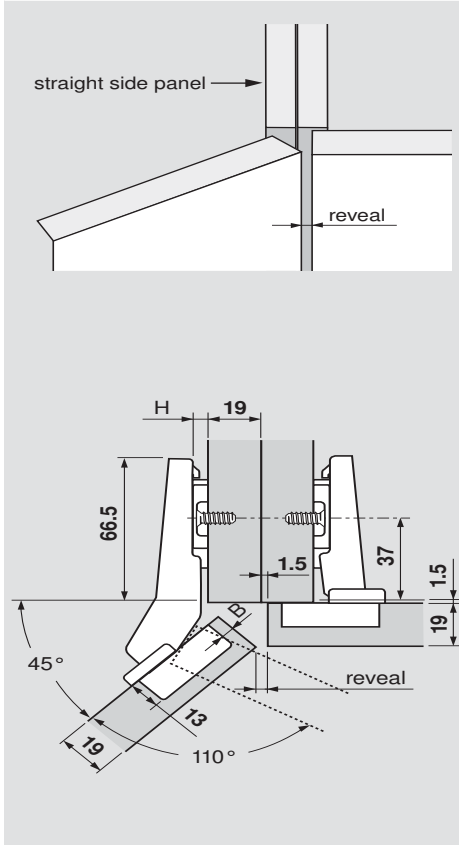
**Features**

- ☒ Three-dimensional adjustment
- ☒ Available with INSERTA attachment
- ☒ For door thicknesses up to **19** (3/4")
- ☒ All metal hinge, nickel-plated

**Overlay application**



**Inside corner**



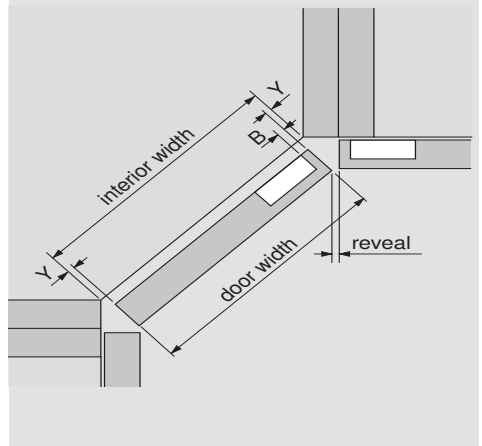
**Calculating door width**

**Step 1.** Using the boring distance (B) determined in the reveal table, cross-reference to find the side gap distance (Y) in the table below.

**Step 2.** Using the following formula to find the door width. Door width = interior width minus (Y x 2).

**Example:** Interior width = **400** mm, side gap (Y) = **4.5** mm.

$$391 = 400 \text{ minus } (4.5 \times 2)$$



H	Overlay			
0	1	2	3	4
	3	4	5	6
B = boring distance				

H	Reveal			
0	6	5	4	3
	3	4		6
B = boring distance				

Y = side gap			
5.5	4.5	3.5	2.5
3	4	5	6
B = boring distance			

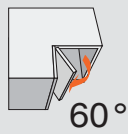
**NOTE:** Based on **19** (3/4") door thickness

**Abbreviations**

- H = Plate height
- Y = Side gap

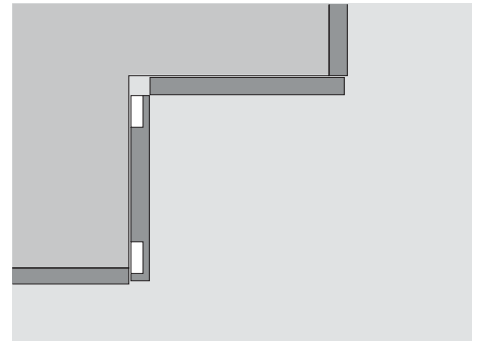
Diagonal 45° hinges	Self close
Press-in	<b>BL- 79T5580</b>

**NOTE:** Reveal based on **19** (3/4") side panel

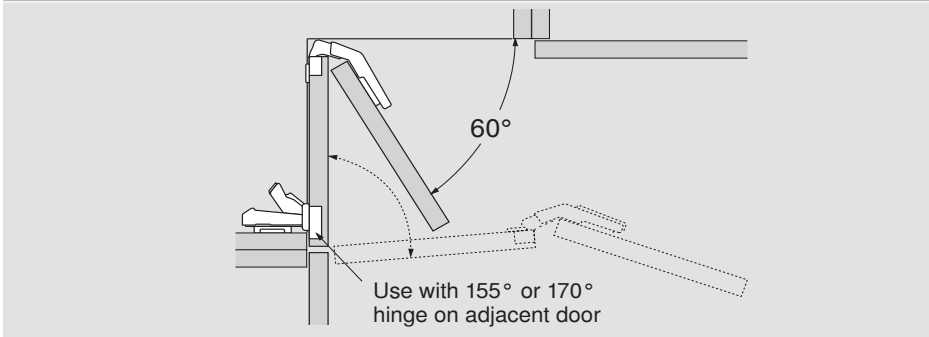


**Features**

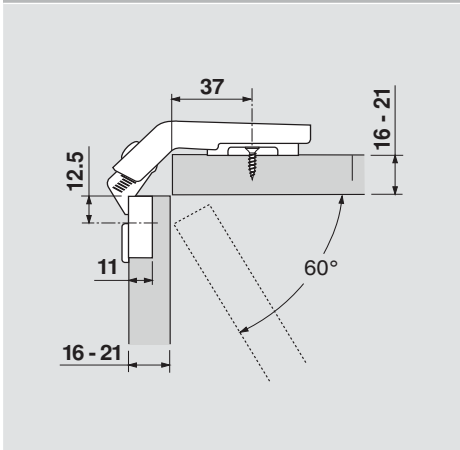
- ✘ Spiral tech side adjustment for door gap
- ✘ Spiral tech depth adjustment for in/out
- ✘ Four-dimensional adjustment
- ✘ All metal hinge, nickel-plated



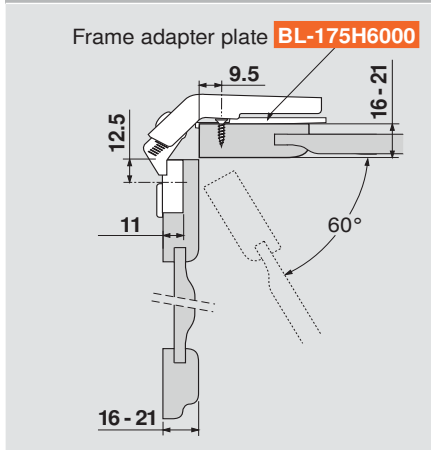
**Inside corner application**



**With flat panel doors**

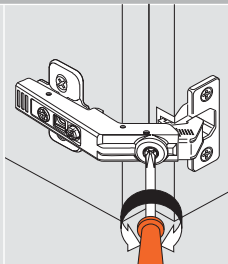


**With profile doors**

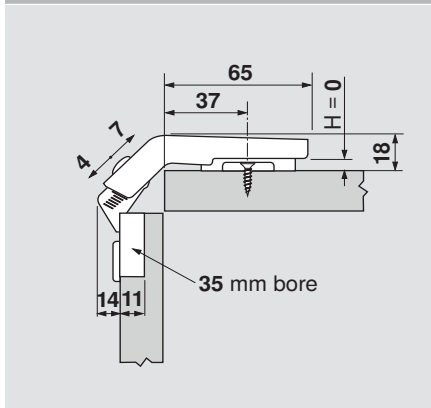


**Adjustment**

The spiral tech cam adjustment of the CLIP top bi-fold hinge allows +4/-7 mm adjustment



**General specifications**



Bi-fold hinges	Self close
Press-in	<b>BL-79T8530-10</b>

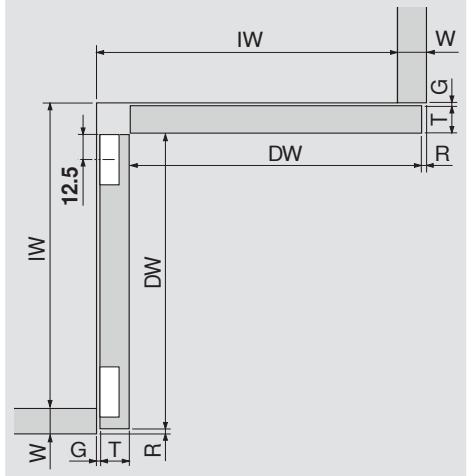
**Calculating door sizes**

The doors for a CLIP top bi-fold application can be of equal or unequal width. To calculate the door width (DW) of each door follow the step-by-step below.

- Step 1.** Add the interior width to the side panel width (W)
- Step 2.** Subtract door thickness (T) and reveal (R)
- Step 3.** Subtract gap (G) and bumper thickness behind adjacent door

**Formula:**  $DW = (IW + W) \text{ minus } T \text{ minus } R \text{ minus } G$

**Example:**  $DW = (500 + 19) - 19 - 3 - 1$   
 $DW = 496 \text{ mm}$



**Abbreviations**

DW	= Door width
G	= Gap
H	= Plate height
IW	= Interior width
R	= Reveal
T	= Door thickness
W	= Side panel width



# CLIP 100°

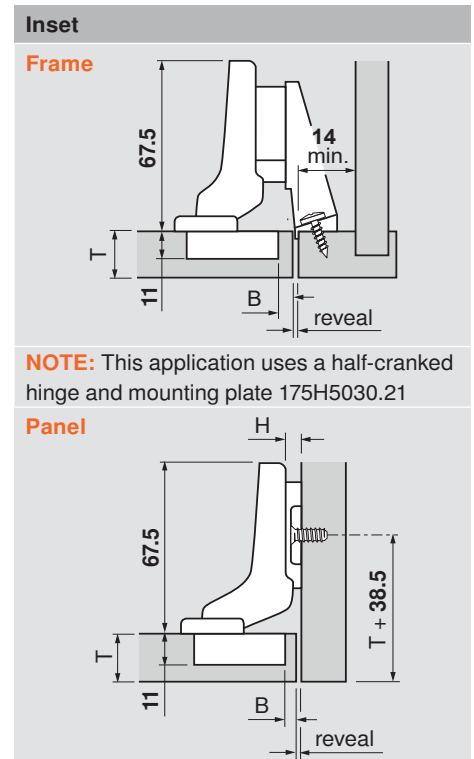
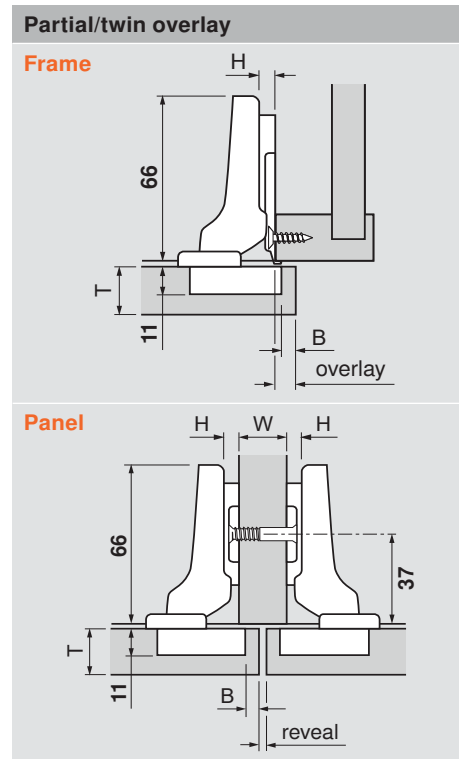
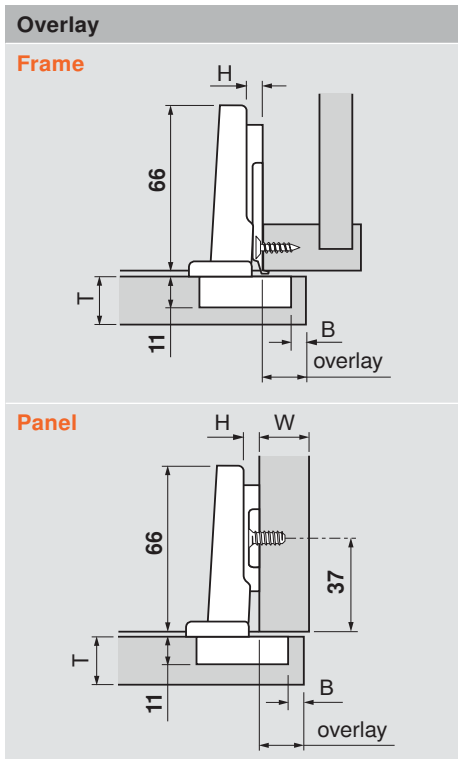


### Features

- ☒ Three-dimensional adjustment
- ☒ Available with INSERTA attachment
- ☒ For door thicknesses up to 24 (15/16")
- ☒ All metal hinge, nickel-plated
- ☒ Add-on BLUMOTION soft close available

Minimum reveal table						
3	0.5	0.9	1.1	1.4	2.3	3.6
4	0.5	0.8	1.0	1.3	2.0	3.3
5	0.4	0.8	1.0	1.2	1.8	3.0
6	0.4	0.8	0.9	1.1	1.7	2.8
B = boring distance	16	18	19	20	22	24
	T = door thickness					

Thickness greater than 24 trial recommended



**NOTE:** This application uses a half-cranked hinge and mounting plate 175H5030.21

H	Overlay					P	S
0	14	15	16	17	9	20	
3	11	12	13	14	12	23	
4.5	9.5	10.5	11.5	12.5	13.5	24.5	
6	8	9	10	11	15	26	
9	5	6	7	8	18	29	
	3	4	5	6	Fixed distance = 11		
	B = boring distance						

**NOTE:** 4.5 plate is only for use in face frame cabinets, 9 plate is only for panel cabinets

H	Overlay				P	S
0	4.5	5.5	6.5	7.5	18.5	30
	3	4	5	6	Fixed distance = 1.5	
	B = boring distance					

H	Reveal				P	S
0	4	3	2	1	27	38
	3	4	5	6	Fixed distance = -7	
	B = boring distance					

H	Reveal				W	P	S
0	7	5	3	1	16	18.5	30
	10	8	6	4	19		
	13	11	9	7	22		
	3	4	5	6			
	B = boring distance						

Abbreviations	
H	= Plate height
P	= Door protrusion
S	= Side arm protrusion
T	= Door thickness
W	= Side panel width

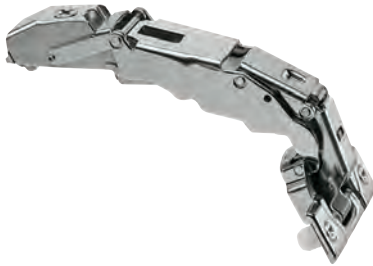
Straight-arm	Self close	Free swing
Screw-on	BL-71M2550	BL-70M2550-TL
Press-in	BL-71M2580	BL-70M2580-TL
INSERTA	BL-71M2590B	

Half-cranked	Self close	Free swing
Screw-on	BL-71M2650	BL-70M2650-TL
Press-in	BL-71M2680	
INSERTA	BL-71M2690B	

Full-cranked	Self close	Free swing
Screw-on	BL-71M2750	BL-70M2750-TL
Press-in	BL-71M2780	BL-70M2780-TL
INSERTA	BL-71M2790B	

Dimensions in millimeters

## CLIP top BLUMOTION 155°/CLIP top 155° Zero Protrusion



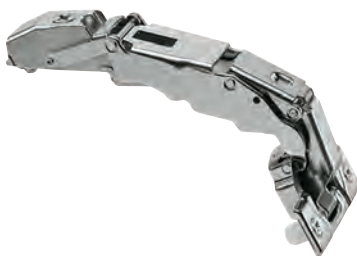
- BLUMOTION integrated into the hinge arm
- Deactivation switch for small/light doors
- Zero Protrusion, suitable for interior rollouts
- Three-dimensional adjustment
- Available with INSERTA attachment
- For door thicknesses up to **24** (15/16")
- Angle restriction clips available
- All metal hinge, nickel-plated
- Hinge arm / cup cover caps available

\*Available in Onyx Black

### CLIP top BLUMOTION 155° Hinges

Reference no.	Description
BL-71B7550	CLIP top BLUMOTION 155°, Straight-arm hinge, Screw-on
BL-71B7580	CLIP top BLUMOTION 155°, Straight-arm hinge, Press-in
BL-71B7590	CLIP top BLUMOTION 155°, Straight-arm hinge, INSERTA
BL-71B7650	CLIP top BLUMOTION 155°, Half-cranked hinge, Screw-on
BL-71B7690	CLIP top BLUMOTION 155°, Half-cranked hinge, INSERTA
BL-70T7553	Angle restriction clip 110°
BL-70T7553-09	Angle restriction clip 92°
BL-70-4503	Hinge arm cover cap plain, Nickel
BL-70-4503	Hinge arm cover cap plain, Onyx Black
BL-70T7504	Hinge cup cover cap, Nickel
BL-70T7504	Hinge arm cover cap, Onyx Black

**NOTE:** For technical dimensions, planning, and installation details please reference the Concealed Hinges brochure. All dimensions remain the same from the previous CLIP top 155° ==> New CLIP top BLUMOTION 155° hinges.



- Same design of CLIP top BLUMOTION 155°, without BLUMOTION
- Zero Protrusion, suitable for interior rollouts
- Three-dimensional adjustment
- Available with INSERTA attachment
- For door thicknesses up to **24** (15/16")
- Angle restriction clips available
- All metal hinge, nickel-plated
- Hinge arm / cup cover caps available

### CLIP top 155° Hinges

Reference no.	Description
BL-71T7550	CLIP top 155°, Straight-arm hinge, Screw-on
BL-71T7590	CLIP top 155°, Straight-arm hinge, INSERTA
BL-71T7650	CLIP top 155°, Half-cranked hinge, Screw-on
BL-70T7553	Angle restriction clip 110°
BL-70T7553-09	Angle restriction clip 92°
BL-70-4503	Hinge arm cover cap plain, Nickel
BL-70T7504	Hinge cup cover cap, Nickel

**NOTE:** For technical dimensions, planning, and installation details please reference the Concealed Hinges brochure. All dimensions remain the same from the previous CLIP top 155° ==> New CLIP top 155° hinges.

Manufacturers of high-quality kitchens and furniture are increasingly using darker cabinet colors for differentiation, whereby consistency between colors is important for the cabinets, fronts and hardware. Our new onyx black solution meets all manufacturer requirements with regard to hinges.



### CLIP top BLUMOTION 110° Hinges

Reference no.	Description
BL-71B3550-BK	Straight-arm hinge, Screw-on
BL-71B3580-BK	Straight-arm hinge, Press-in
BL-71B3590-BK	Straight-arm hinge, INSERTA
BL-71B3650-BK	Half-cranked hinge, Screw-on
BL-71B3690-BK	Half-cranked hinge, INSERTA
BL-71B3750-BK	Full-cranked hinge, Screw-on
BL-71B3790-BK	Full-cranked hinge, INSERTA

### CLIP top BLUMOTION 110°+ Hinges

BL-73B3550-BK	Straight-arm hinge, Screw-on
BL-73B3590-BK	Straight-arm hinge, INSERTA

### CLIP top BLUMOTION 95° Thick Door Hinges

BL-71B9550-BK	Straight-arm hinge, Screw-on
BL-71B9580-BK	Straight-arm hinge, Press-in
BL-71B9590-BK	Straight-arm hinge, INSERTA
BL-71B9650-BK	Half-cranked hinge, Screw-on
BL-71B9690-BK	Half-cranked hinge, INSERTA
BL-71B9750-BK	Full-cranked hinge, Screw-on
BL-71B9790-BK	Full-cranked hinge, INSERTA

### CLIP top BLUMOTION 155° Zero Protrusion Hinges

BL-71B7550-BK	Straight-arm hinge, Screw-on
BL-71B7580-BK	Straight-arm hinge, Press-in
BL-71B7590-BK	Straight-arm hinge, INSERTA
BL-71B7690-BK	Half-cranked hinge, INSERTA

### CLIP top BLUMOTION Specialty Hinges

BL-79B9550-BK	95°, Inset blind corner hinge, Screw-on
BL-79B9580-BK	95°, Inset blind corner hinge, Press-in
BL-79B9590-BK	95°, Inset blind corner hinge, INSERTA
BL-79B9698-BK	95°, +45° I Angled hinge, INSERTA
BL-79B3598-BK	110°, +45° II Angled hinge, INSERTA

### CLIP Mounting Plates

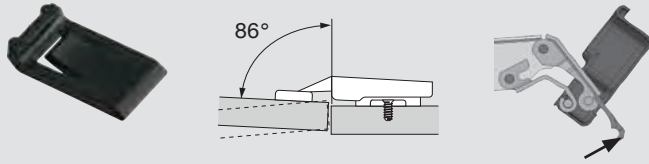
BL-174H7100E-BK	CLIP wing plate, 0 mm, cam height adjustable, EXPANDO
BL-175H3100-BK	CLIP in-line plate, 0 mm, cam height adjustable, Screw-on

### CLIP Accessories

BL-70-1503-BK	Blank arm cover cap for straight-arm hinges
BL-70-1553-BK	Blank arm cover cap for angled, MINI & glass door hinges
BL-70-1663-BK	Blank arm cover cap for cranked-arm hinges
BL-70-4503-BK	Blank arm cover cap for 155° and 125° hinges
BL-70T3504-BK	Blank cup cover cap for CLIP top BLUMOTION hinges
BL-70T7504-BK	Blank cup cover cap for 155° and 125° hinges



## Angle restriction clip for 107° hinges



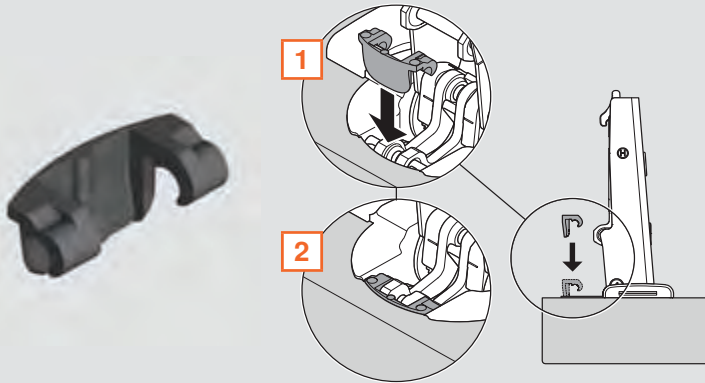
Reduces opening angle of the CLIP top and CLIP 107° to 86°  
 For use with CLIP top and CLIP 107° hinges only  
 Installs quickly, easily and tool-free  
 Non-removable  
 Black nylon

Part no.

86° Angle restriction clip

**BL-74-1103**

## Angle restriction clip for 110° hinges



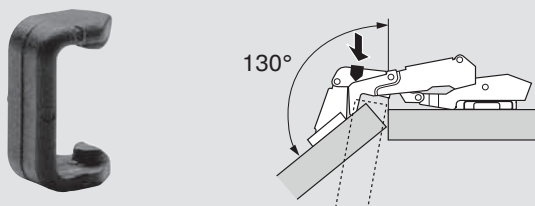
Reduces opening angle of the CLIP top 110° and 110°+ to 86°  
 For use with CLIP top 110° and 110°+ hinges only  
 Installs quickly, easily and tool-free either before or after the hinge has been installed  
 Black nylon

Part no.

Angle restriction clip

**BL-70T3553**

## Angle restriction clip for 170° hinges



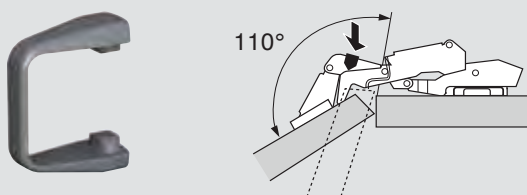
Reduces opening angle of the CLIP top 170° to 130°  
 Required for special applications of the 170° hinge  
 Installs quickly, easily and tool-free  
 Black nylon

Part no.

130° Angle restriction clip

**BL-70-6103**

## Angle restriction clips for zero protrusion hinges



Reduces opening angle of CLIP top 155° hinge to 110° or 92°  
 For use with 155°/125° hinges only  
 Installs quickly, easily and tool-free  
 Gray nylon

Part no.

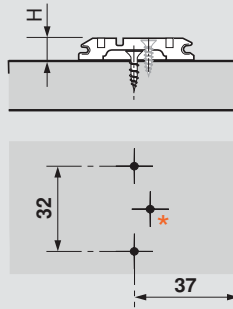
92° Angle restriction clip for 155°

**BL-70T7503N09**

**NOTE:** Restriction clip 70T7503N provides the 155° hinge with 110° and the 125° hinge with 92°

## Standard one-piece wing mounting plates

### Wood screw

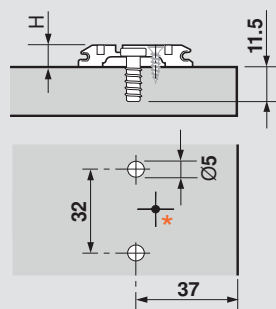


- ☒ Steel, nickel-plated
- ☒ Attached with #6 x 5/8" wood screws
- ☒ Height adjustment  $\pm 3$  mm

Part no.

0 plate height (H)	BL-173L6100
--------------------	-------------

### System screw

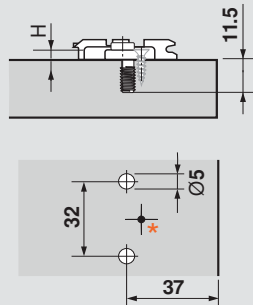


- ☒ Steel, nickel-plated
- ☒ Attached with pre-mounted  $\text{Ø}5$  mm system screws (668.1450.EH)
- ☒ Height adjustment  $\pm 3$  mm

Part no.

0 plate height (H)	BL-173L8100
--------------------	-------------

### System screw



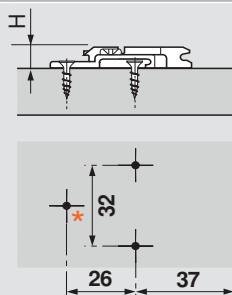
- ☒ Zinc die-cast, nickel-plated
- ☒ Attached with pre-mounted  $\text{Ø}5$  mm system screws (668.1450.EH)
- ☒ Height adjustment  $\pm 3$  mm

Part no.

0 plate height (H)	BL-175L8100
3 plate height (H)	BL-175L8130
9 plate height (H)	BL-175L8190

## Standard two-piece wing mounting plates

### Wood screw

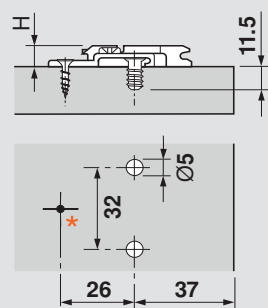


- ☒ Zinc die-cast, nickel-plated
- ☒ Attached with #6 x 5/8" wood screws
- ☒ Height adjustment  $\pm 2$  mm

Part no.

0 plate height (H)	BL-175H7100
3 plate height (H)	BL-175H7130
9 plate height (H)	BL-175H7190

### System screw



- ☒ Zinc die-cast, nickel-plated
- ☒ Attached with #7 x 5/8" wood screws or  $\text{Ø}5 \times 13$  mm system screws
- ☒ Height adjustment  $\pm 2$  mm

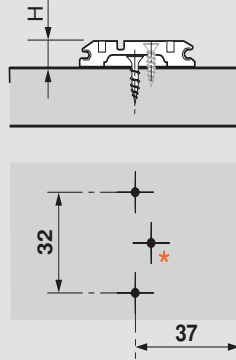
Part no.

0 plate height (H)	BL-175H9100
3 plate height (H)	BL-175H9130
6 plate height (H)	BL-175H9160
9 plate height (H)	BL-175H9190
18 plate height (H)	BL-175H9190-22

\*Add additional wood screw if used with wide angled hinges

## Cam adjustable wing mounting plates

### Wood screw



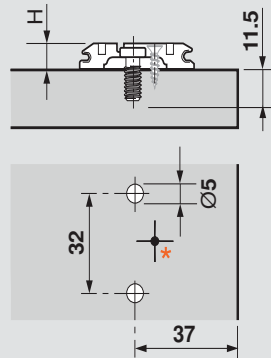
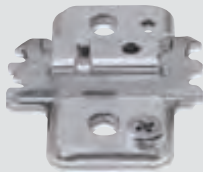
- ☒ Steel, nickel-plated
- ☒ Attached with #6 x 5/8" wood screws
- ☒ Cam height adjustment  $\pm 2$  mm

Part no.

0 plate height (H)	<b>BL-173H7100</b>
--------------------	--------------------

3 plate height (H)	<b>BL-173H7130</b>
--------------------	--------------------

### System screw

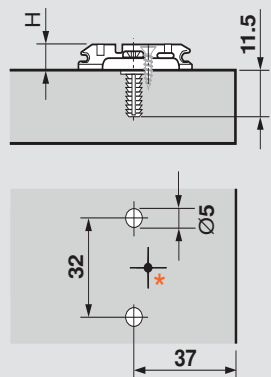


- ☒ Steel, nickel-plated
- ☒ Attached with #7 x 5/8" wood screws or  $\varnothing 5 \times 13$  mm system screws
- ☒ Cam height adjustment  $\pm 2$  mm

Part no.

0 plate height (H)	<b>BL-173H9100</b>
--------------------	--------------------

### EXPANDO

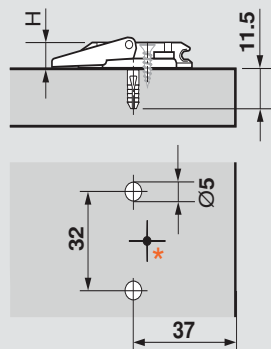


- ☒ Steel, nickel-plated
- ☒ Attached with pre-mounted screws with EXPANDO dowels (618.1500)
- ☒ Cam height adjustment  $\pm 2$  mm

Part no.

0 plate height (H)	<b>BL-174H7100E</b>
--------------------	---------------------

### INSERTA



- ☒ Steel (closing lever – zinc die-cast, nickel-plated)
- ☒ Tool-free assembly with INSERTA self-anchoring feature
- ☒ Cam height adjustment  $\pm 2$  mm

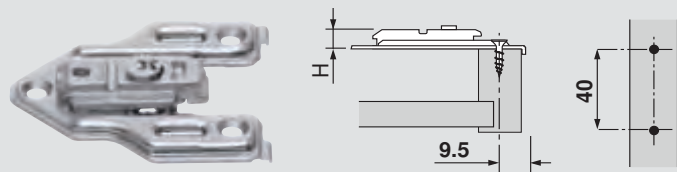
Part no.

0 plate height (H)	<b>BL-174H7100I</b>
--------------------	---------------------

\*Add additional wood screw if used with wide angled hinges

## Face frame adapter plates

### Cam adjustable center mount



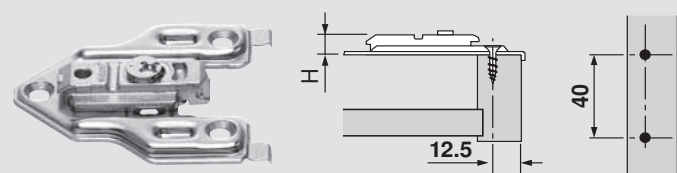
- ❑ Steel, zinc die-cast and nickel-plated
- ❑ Attached with #7 x 3/4" wood screws
- ❑ Center mount 9.5 (3/8")
- ❑ Cam height adjustment  $\pm 2$  mm
- ❑ 175H6000 not for use with INSERTA hinges

Part no.

0 plate height (H)	BL-175H6000
3 plate height (H)	BL-175H6030
4.5 plate height (H)	BL-175H6040
6 plate height (H)	BL-175H6060

**NOTE:** CLIP top BLUMOTION and CLIP top 110° INSERTA hinges can be used with this plate

### Cam adjustable off-center mount

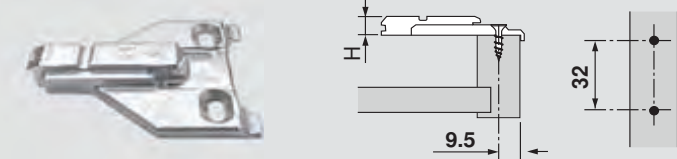


- ❑ Steel, zinc die-cast and nickel-plated
- ❑ Attached with #7 x 3/4" wood screws
- ❑ For use with INSERTA hinge cups
- ❑ Off-center mount 12.5 (1/2")
- ❑ Cam height adjustment  $\pm 2$  mm

Part no.

0 plate height (H)	BL-175H6600
--------------------	-------------

### Center mount

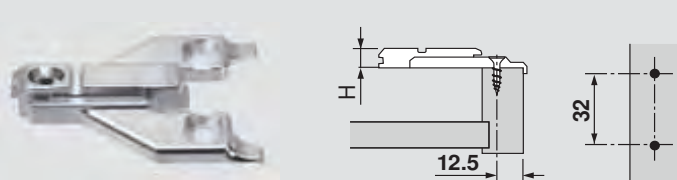


- ❑ Zinc die-cast, nickel-plated
- ❑ Attached with #7 x 3/4" wood screws
- ❑ Center mount 9.5 (3/8")
- ❑ Height adjustment  $\pm 2$  mm

Part no.

3 plate height (H)	BL-175L6030-21
--------------------	----------------

### Off-center mount

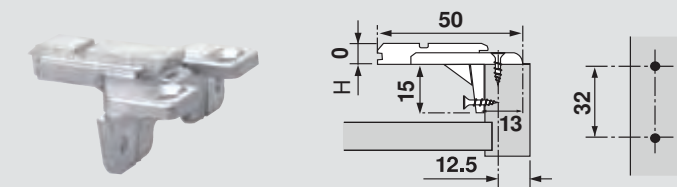


- ❑ Zinc die-cast, nickel-plated
- ❑ Attached with #7 x 3/4" wood screws
- ❑ Off-center mount 12.5 (1/2")
- ❑ Height adjustment  $\pm 2$  mm

Part no.

0 plate height (H)	BL-175L6600-22
3 plate height (H)	BL-175L6630-22
6 plate height (H)	BL-175L6660-22

### With flange



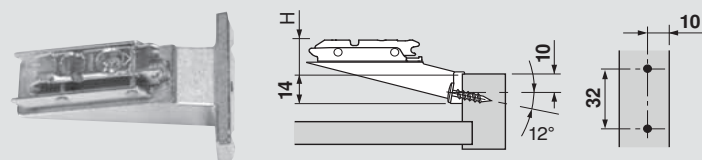
- ❑ Recommended when using 170° and zero protrusion hinges on face frame cabinets
- ❑ Zinc die-cast, nickel-plated
- ❑ Attached with #7 x 3/4" wood screws
- ❑ Off-center mount 12.5 (1/2")
- ❑ Height adjustment  $\pm 2$  mm

Part no.

0 plate height (H)	BL-175L6600-24
--------------------	----------------

## Inset face frame adapter

### Truss head screw



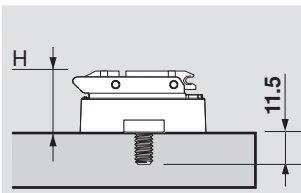
- ❑ Zinc die-cast, nickel-plated
- ❑ Attached with #8 x 3/4" truss head screws
- ❑ Can be used with applied bead molding
- ❑ Cam height adjustment  $\pm 2$  mm
- ❑ Use with half-cranked hinges only
- ❑ Wide angle hinges not recommended
- ❑ Use of PLATEMATE required for installation

Part no.

9 plate height (H)	BL-175H5030-21
--------------------	----------------

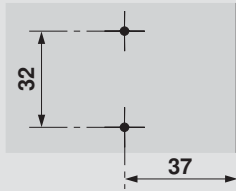
Dimensions in millimeters

## Cam adjustable wing mounting plates

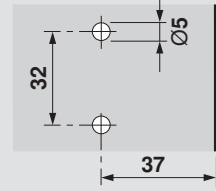


### Boring pattern

wood screw



system screw



- New mounting plate heights with cam height adjustment
- Steel, nickel-plated with zinc adapter
- Attached with #7 x 5/8" wood screws or Ø5 mm x 13 mm system screws
- Cam height adjustment  $\pm 2$  mm

■ For 1/4" recess on an inset or overlay application

Part no. **BL-173H9100-04**

6 plate height (H)

■ For 3/8" recess on an inset or overlay application

Part no. **BL-173H9130-06**

9 plate height (H)

■ For 1/2" recess on an inset application

Part no. **BL-173H9100-08**

13 plate height (H)

■ For 5/8" recess on an inset application

Part no. **BL-173H9130-10**

16 plate height (H)

■ For 3/4" recess on an inset application

Part no. **BL-173H9100-12**

19 plate height (H)

■ For 7/8" recess on an inset application

Part no. **BL-173H9130-14**

22 plate height (H)

■ For 1" recess on an inset application

Part no. **BL-173H9100-16**

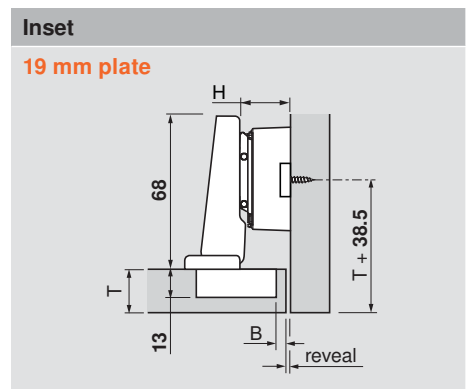
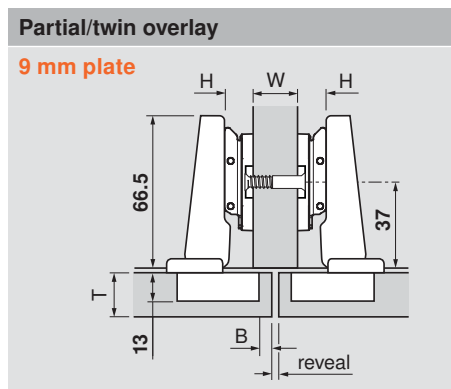
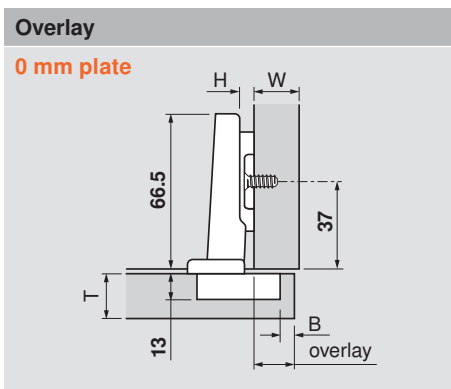
25 plate height (H)

■ For 1-1/8" recess on an inset application

Part no. **BL-173H9130-18**

29 plate height (H)

## Frameless Applications



**NOTE:** With our new CLIP wing mounting plate program, all three of the common frameless applications, (full overlay, half overlay and inset) can be achieved with a straight-arm hinge and cam height adjustment. An alternative inset application, includes the use of a half-cranked hinge and 9 mm cam height adjustment mounting plate.

**1/8" Recess**

**Hinge:** full-cranked  
**Plate Height:** 3 mm  
**Bore Distance:** 5 mm  
**Reveal:** 1.8 mm  
**Adjust:** +0.2 mm

Hinge	Mounting plate
BL-71B3780	BL-173H9130

**1/4" Recess**

**Hinge:** full-cranked  
**Plate Height:** 6 mm  
**Bore Distance:** 5 mm  
**Reveal:** 2 mm  
**Adjust:** 0 mm

Hinge	Mounting plate
BL-71B3780	BL-173H9100-04

**3/8" Recess**

**Hinge:** full-cranked  
**Plate Height:** 9 mm  
**Bore Distance:** 5 mm  
**Reveal:** 1.8 mm  
**Adjust:** +0.2 mm

Hinge	Mounting plate
BL-71B3780	BL-173H9130-06

**1/2" Recess**

**Hinge:** full-cranked  
**Plate Height:** 13 mm  
**Bore Distance:** 5 mm  
**Reveal:** 2 mm  
**Adjust:** 0 mm

Hinge	Mounting plate
BL-71B3780	BL-173H9100-08

**5/8" Recess**

**Hinge:** full-cranked  
**Plate Height:** 16 mm  
**Bore Distance:** 5 mm  
**Reveal:** 1.8 mm  
**Adjust:** +0.2 mm

Hinge	Mounting plate
BL-71B3780	BL-173H9130-10

**3/4" Recess**

**Hinge:** full-cranked  
**Plate Height:** 19 mm  
**Bore Distance:** 5 mm  
**Reveal:** 2 mm  
**Adjust:** 0 mm

Hinge	Mounting plate
BL-71B3780	BL-173H9100-12

**7/8" Recess**

**Hinge:** full-cranked  
**Plate Height:** 22 mm  
**Bore Distance:** 5 mm  
**Reveal:** 1.8 mm  
**Adjust:** +0.2 mm

Hinge	Mounting plate
BL-71B3780	BL-173H9130-14

**1" Recess**

**Hinge:** full-cranked  
**Plate Height:** 25 mm  
**Bore Distance:** 5 mm  
**Reveal:** 2 mm  
**Adjust:** 0 mm

Hinge	Mounting plate
BL-71B3780	BL-173H9100-16

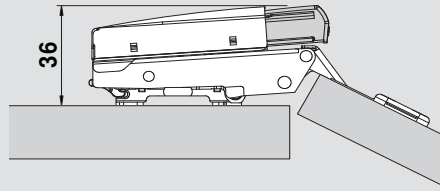
**1-1/8" Recess**

**Hinge:** full-cranked  
**Plate Height:** 29 mm  
**Bore Distance:** 5 mm  
**Reveal:** 1.8 mm  
**Adjust:** +0.2 mm

Hinge	Mounting plate
BL-71B3780	BL-173H9130-18

**NOTE:** B = Bore Distance | H = Plate Height | R = Reveal | T = Door Thickness

**For straight-arm hinges**



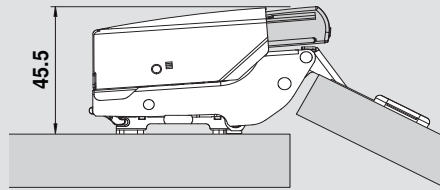
- CLIP top 107°
- CLIP top 110°
- CLIP top 110°+
- CLIP top 120°
- CLIP top 120°+
- CLIP top 95° thick door
- CLIP top 120° aluminum door
- CLIP 100°
- CLIP 107°

Part no.

Straight-arm

**BL-973A0500-01**

**For half-cranked arm hinges**



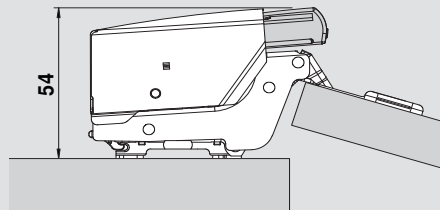
- CLIP top 110°
- CLIP top 120°
- CLIP top 95° thick door
- CLIP 100°

Part no.

Half-cranked arm

**BL-973A0600**

**For full-cranked arm hinges**



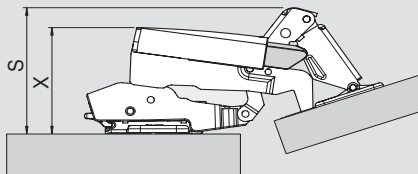
- CLIP top 110°
- CLIP top 95° thick door
- CLIP 100°

Part no.

Full-cranked arm

**BL-973A0700**

**For 170° hinges**



- CLIP top 170° – straight-arm
- CLIP top 170° – half-cranked

Hinge	X	S
CLIP top 170° straight-arm	49	65 max.
CLIP top 170° half-cranked	68	75 max.

Part no.

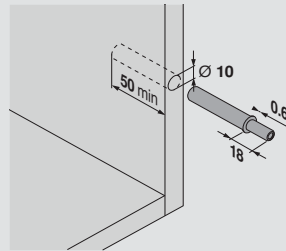
**NOTE:** Additional clearance of 41 mm needed above and below for interior roll-out

**BL-973A6000**

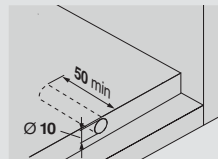
TIP-ON set for standard doors



Overlay



Inset



- ❑ Nylon gray unit with magnet tip
- ❑ Adjustment range +4 mm to -1 mm
- ❑ For use with Blum Euro free swing hinges
- ❑ For door heights less than 48"
- ❑ Works for overlay and inset applications
- ❑ Can be bored into the panel or used with an adapter plate

Set includes:

- ❑ TIP-ON unit
- ❑ Self-adhesive catch plate
- ❑ Screw-on catch plate
- ❑ Wood screw

Part no.

**NOTE:** Due to various door weights and sizes, trial application recommended

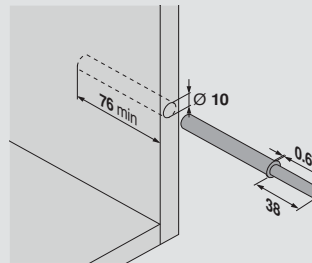
Standard door set

**BL-956-1004**

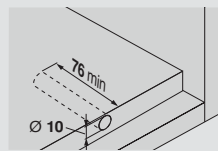
TIP-ON set for large doors



Overlay



Inset



- ❑ Nylon gray unit with magnet tip
- ❑ Adjustment range +4 mm to -1 mm
- ❑ For use with Blum Euro free swing hinges
- ❑ For door heights greater than 48"
- ❑ Works for overlay and inset applications
- ❑ Can be bored into the panel or used with an adapter plate

Set includes:

- ❑ TIP-ON unit
- ❑ Self-adhesive catch plate
- ❑ Screw-on catch plate
- ❑ Wood screw

Part no.

**NOTE:** Due to various door weights and sizes, trial application recommended

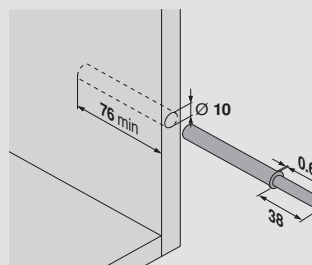
Large door set

**BL-956A1004**

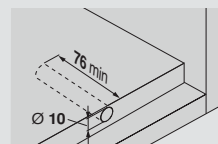
TIP-ON for self close hinges



Overlay



Inset



- ❑ Nylon gray unit with bumper tip
- ❑ Adjustment range +4 mm to -1 mm
- ❑ For use with Blum Euro self close hinges
- ❑ For door widths greater than 10"
- ❑ Works for overlay and inset applications
- ❑ Can be bored into the panel or used with an adapter plate

Part no.

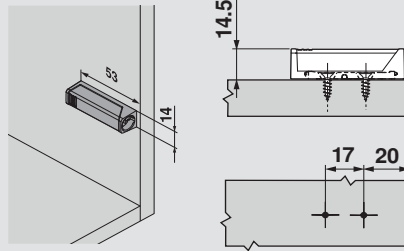
**NOTE:** Due to various door weights and sizes, trial application recommended

Self close hinges

**BL-956A1006**



## TIP-ON in-line adapter plate for standard doors



- ☒ In-line adapter plate for standard doors
- ☒ Two-piece, screw-on base plate
- ☒ **20 mm** setback, **17 mm** apart
- ☒ Door gap factory setting **2 mm**
- ☒ Gray nylon

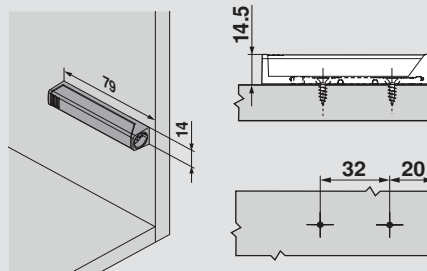
Application	Setback
Overlay	<b>20</b>
Inset	<b>22 + door thickness</b>

Part no.

Screw-on in-line adapter	<b>BL-956-1201</b>
Installation screw	<b>BL-606N or BL-606P</b>

**NOTE:** For face frame applications, blocking out may be required

## TIP-ON in-line adapter plate for large doors



- ☒ In-line adapter plate for larger doors
- ☒ Two-piece, screw-on base plate
- ☒ **20 mm** setback, **32 mm** apart
- ☒ Door gap factory setting **2 mm**
- ☒ Gray nylon

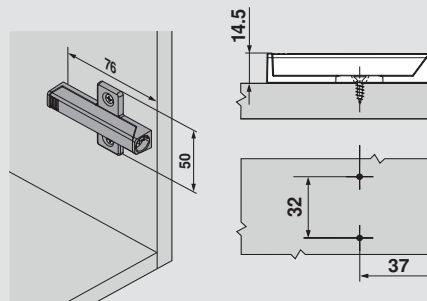
Application	Setback
Overlay	<b>20</b>
Inset	<b>22 + door thickness</b>

Part no.

Screw-on in-line adapter	<b>BL-956A1201</b>
Installation screw	<b>BL-606N or BL-606P</b>

**NOTE:** For face frame applications, blocking out may be required

## TIP-ON wing adapter plate for large doors



- ☒ Wing adapter plate for large doors
- ☒ One-piece, screw-on wing plate
- ☒ **37 mm** setback, **32 mm** apart
- ☒ Door gap factory setting **2 mm**
- ☒ Gray nylon

Application	Setback
Overlay	<b>37</b>
Inset	<b>39 + door thickness</b>

Part no.

Screw-on wing adapter	<b>BL-956A1501</b>
Installation screw	<b>BL-606N or BL-606P</b>

**NOTE:** For face frame applications, blocking out may be required

Dimensions in millimeters

## COMPACT BLUMOTION and COMPACT hinges A complete face frame program

Blum's COMPACT hinges program has proven itself as the high quality solution for face frame cabinets for over 30 years and continue to provide the quality of motion you have come to expect from Blum hardware.

COMPACT BLUMOTION hinges have the soft closing mechanism integrated directly in the hinge cup. They are available for most overlay face frame applications or door styles.



### Deactivation option

The BLUMOTION function can be easily deactivated on one of the hinges, allowing small or light doors to close with the same high quality of motion.



### Interchangeability

COMPACT BLUMOTION hinges are interchangeable with current COMPACT hinges so there is no need to change existing setups or workflows.

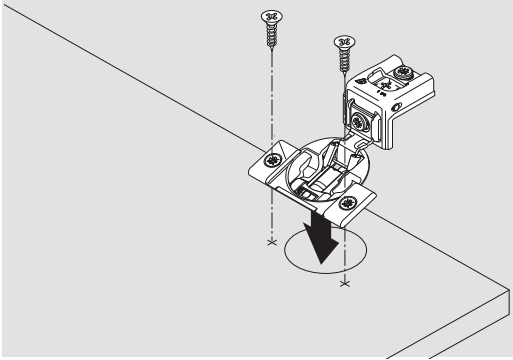


### Overload safety feature

This feature protects the hinge from damage if the door is slammed and maintains the BLUMOTION soft closing for the life of the hinge.

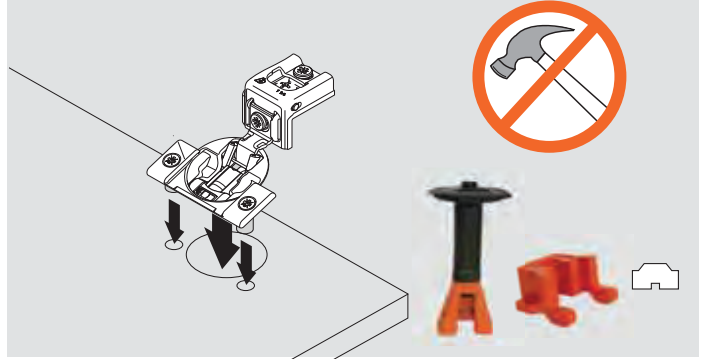
### Screw-on

Use #6 wood screws



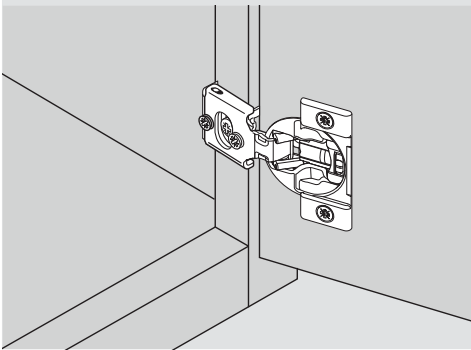
### Press-in

Pre-attached Ø8 dowels installed with Blum knock-in tool or MINIPRESS with COMPACT insertion ram

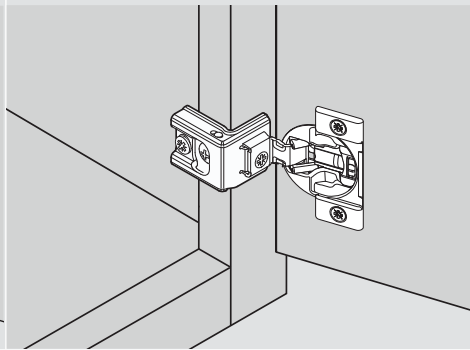


### Mounting plate attachment

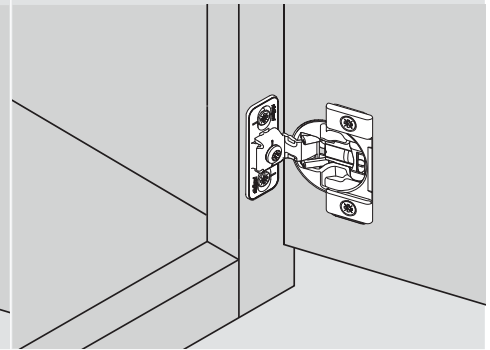
38N series ☒ wraparound/edge mount



39C/38C series ☒ wraparound



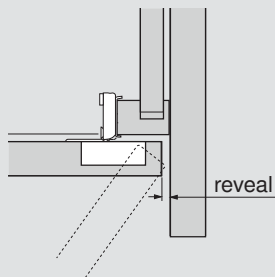
38B series ☒ face mount



### Minimum reveal

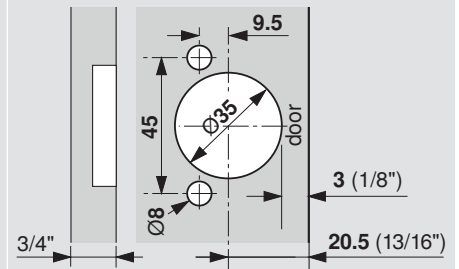
A minimum reveal per door is required to keep the door from binding and varies depending on door thickness.

See minimum reveal table for each hinge.



### Hinge cup centerpoint

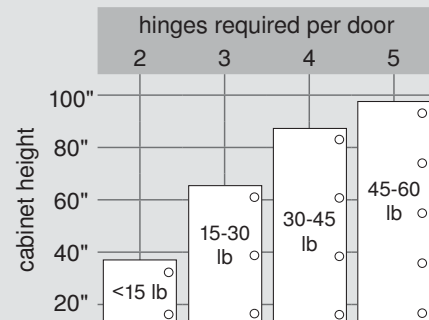
Hinge cup centerpoint and MINIPRESS/MINIDRILL setback position is **20.5 (13/16")** for COMPACT BLUMOTION hinges



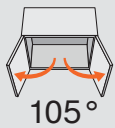
**NOTE:** Maximum door thickness 3/4"

### Hinges per door

This chart can serve as a guide for determining the number of hinges per door. Note that door weight can also determine the number of hinges required.



**NOTE:** The distance between the top and bottom hinges must be greater than the width of the door



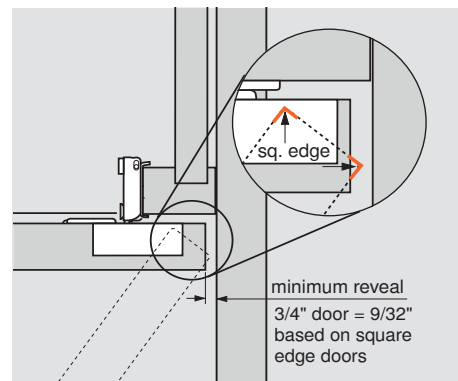
# COMPACT BLUMOTION 38N for partial overlay



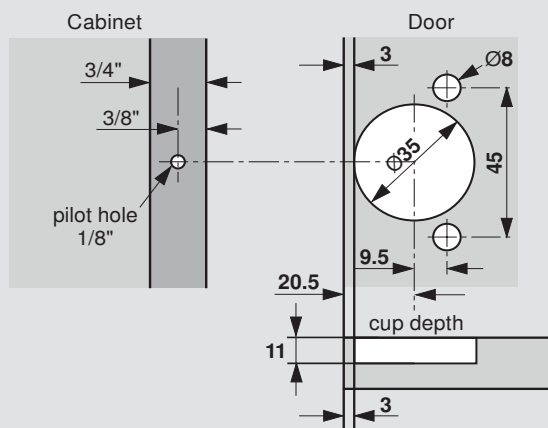
### Features

- ☒ BLUMOTION integrated into the hinge cup
- ☒ Deactivation switch for small/light doors
- ☒ Overload safety feature
- ☒ One-piece wraparound hinge
- ☒ 7/16" cup depth
- ☒ Edge mount available in 1/2" overlay

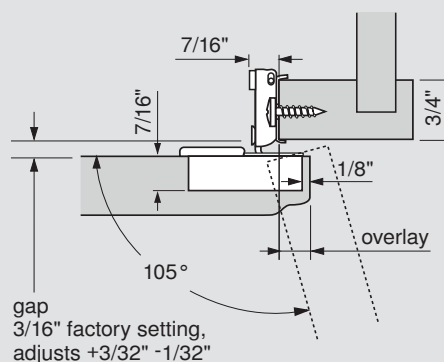
### Minimum reveal



### Boring pattern

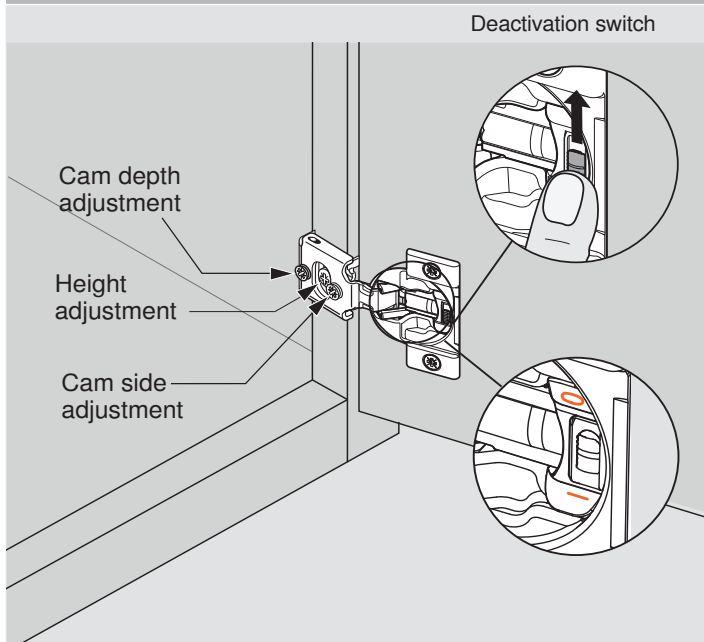


### Dimensions



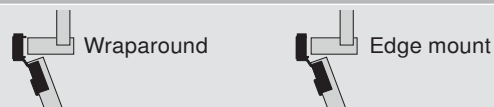
**NOTE:** Maximum door thickness 3/4"

### Adjustment



**NOTE:** COMPACT BLUMOTION comes in the activated position, marked with a "I" – the deactivated position is marked with a "0"

### Wraparound and edge mount hinges



Overlay	Door protrusion	Screw-on	<sup>47</sup> Press-in
5/16"	5/16"		BL-38N358B-05
3/8"	1/4"	BL-38N355B-06	BL-38N358B-06
1/2"	1/8"	BL-38N355B-08	BL-38N358B-08
*1/2"	1/8"	BL-38N355BE08	BL-38N358BE08
5/8"	0	BL-38N355B-10	BL-38N358B-10
3/4"	0	BL-38N355B-12	BL-38N358B-12

\*Available as edge mount hinge

### Installation screw

Truss head screw	BL-834TH
------------------	----------

### Accessories

Angle restriction clip	BL-38C315B3-1
Hinge cup spacer	BL-38C355B9
*Blank cover cap	BL-38N3508B

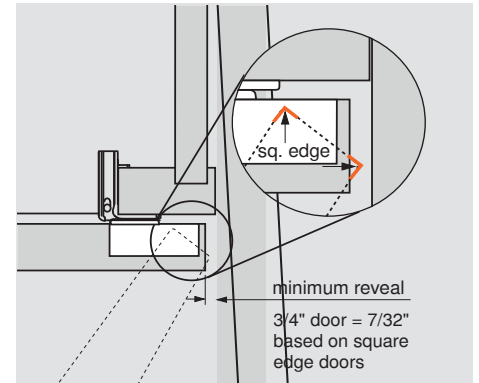
Dimensions in millimeters



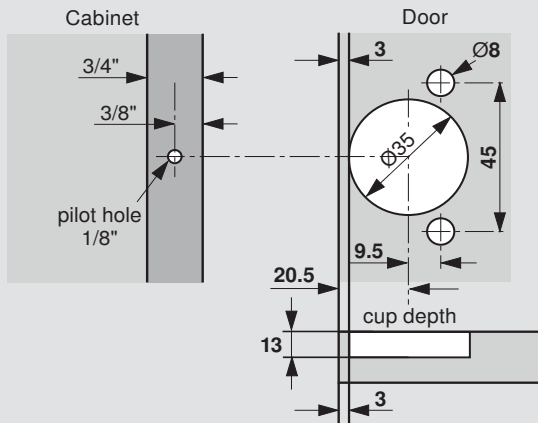
### Features

- ☒ BLUMOTION integrated into the hinge cup
- ☒ Deactivation switch for small/light doors
- ☒ Overload safety feature
- ☒ One-piece wraparound hinge
- ☒ 1/2" cup depth
- ☒ Less minimum reveal

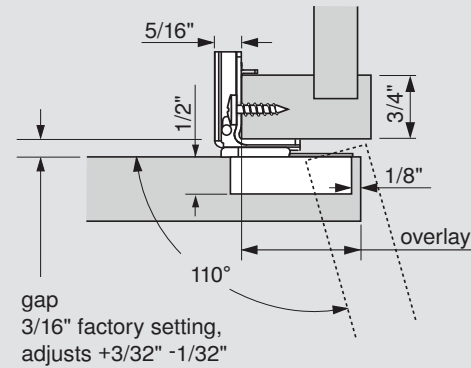
### Minimum reveal



### Boring pattern

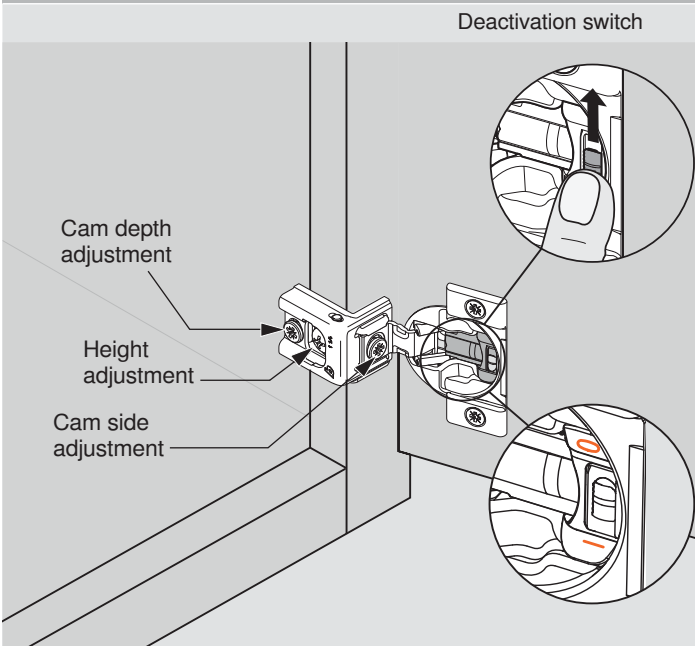


### Dimensions



**NOTE:** Maximum door thickness 3/4"

### Adjustments



**NOTE:** COMPACT BLUMOTION comes in the activated position, marked with an "I" – the deactivated position is marked with a "0"

### Wraparound hinges



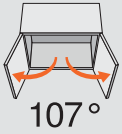
Overlay	Screw-on	Press-in
1"	BL-39C355B-16	BL-39C358B-16
1-1/4"	BL-39C355B-20	BL-39C358B-20
1-5/16"	BL-39C355B-21	BL-39C358B-21
1-3/8"	BL-39C355B-22	BL-39C358B-22
1-1/2"	BL-39C355B-24	BL-39C358B-24
1-9/16"	BL-39C355B-25	BL-39C358B-25

### Installation screw

Truss head screw	BL-834TH
------------------	----------

### Accessories

Angle restriction clip	BL-38C315B3-1
Hinge cup spacer	BL-38C355B9
*Blank cover cap	BL-38C3508



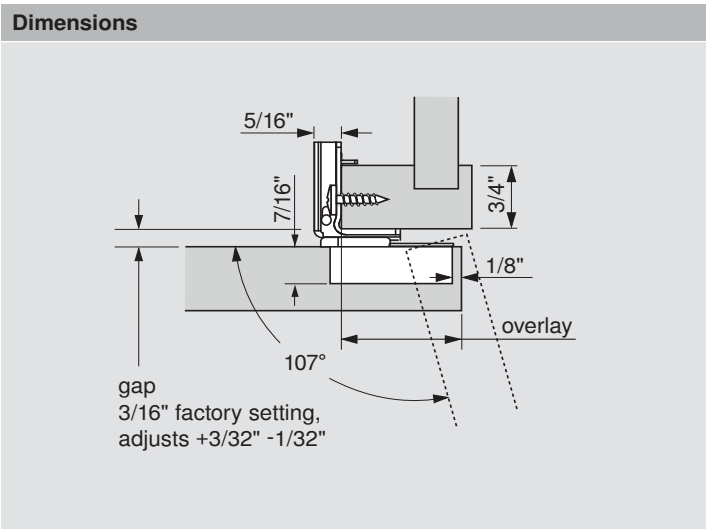
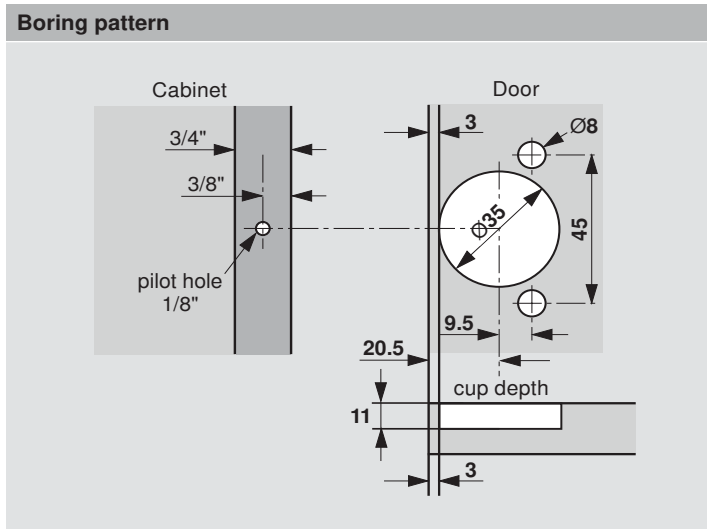
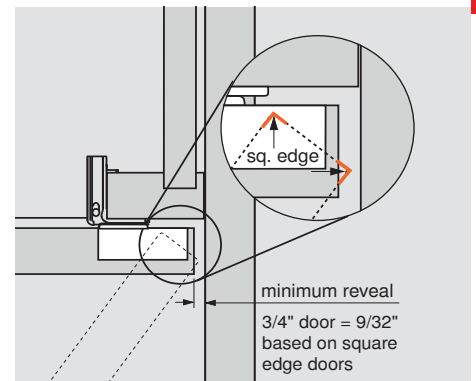
## COMPACT BLUMOTION 38C for full overlay



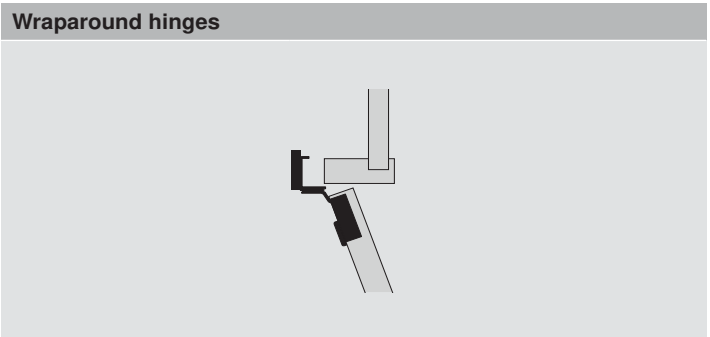
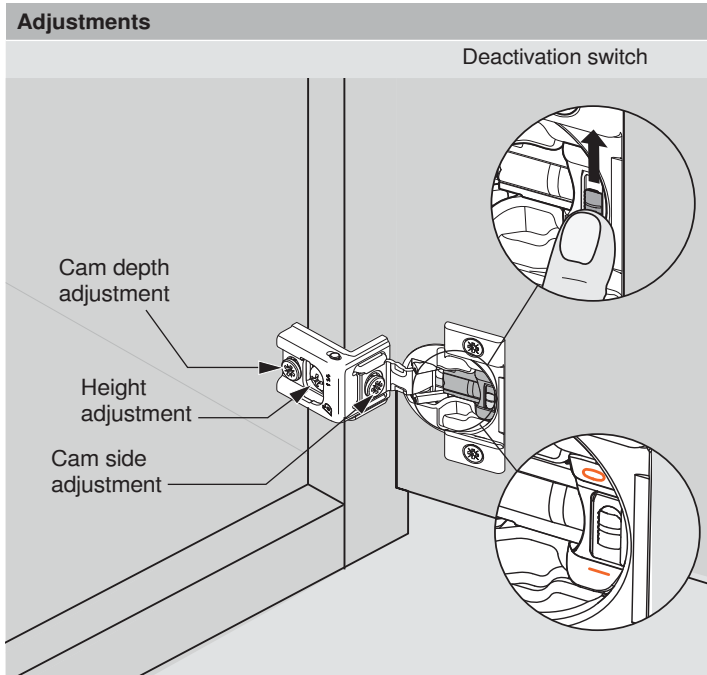
### Features

- ✘ BLUMOTION integrated into the hinge cup
- ✘ Deactivation switch for small/light doors
- ✘ Overload safety feature
- ✘ One-piece wraparound hinge
- ✘ 7/16" cup depth
- ✘ Ideal for profiled doors

### Minimum reveal

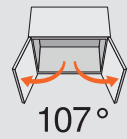


**NOTE:** Maximum door thickness 3/4"



Overlay	47 Press-in
1-1/4"	BL-38C358B-20

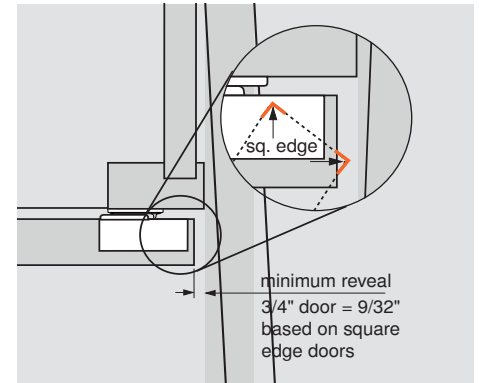
**NOTE:** COMPACT BLUMOTION comes in the activated position, marked with an "I" – the deactivated position is marked with a "0"



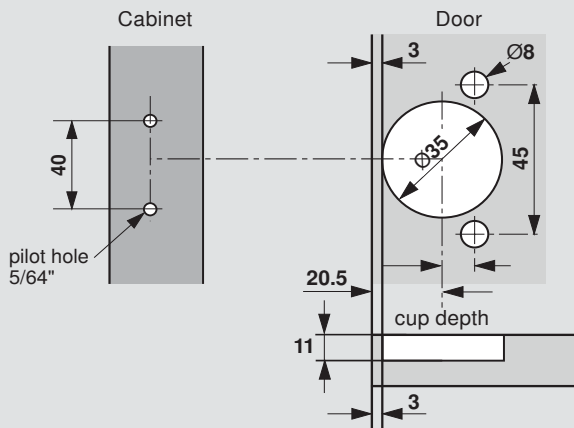
### Features

- ❑ BLUMOTION integrated into the hinge cup
- ❑ Deactivation switch for small/light doors
- ❑ Overload safety feature
- ❑ One-piece face mount hinge
- ❑ 7/16" cup depth
- ❑ Ideal for large overlays or refacing of cabinets

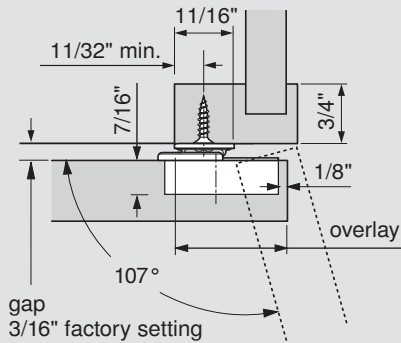
### Minimum reveal



### Boring pattern

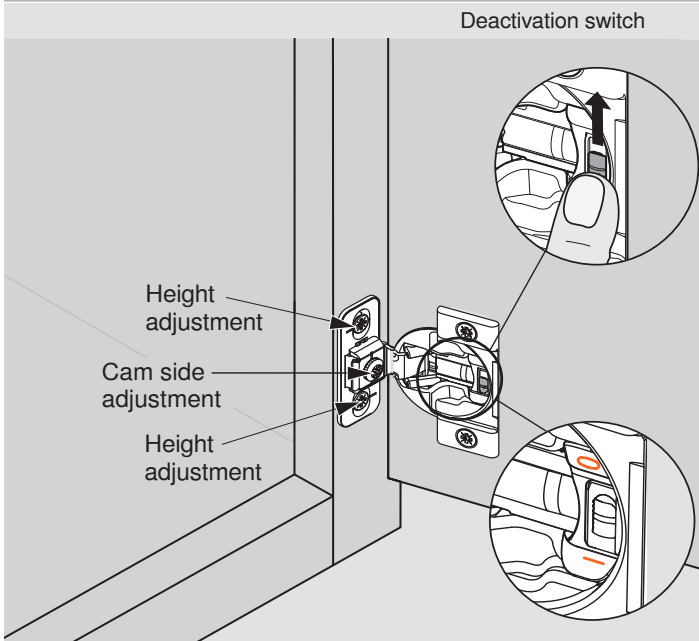


### Dimensions



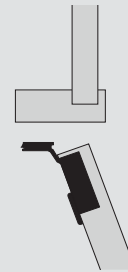
**NOTE:** Maximum door thickness 3/4"

### Adjustments



**NOTE:** COMPACT BLUMOTION comes in the activated position, marked with an "I" – the deactivated position is marked with a "0"

### Face mount hinges



Overlay	Screw-on	47 Press-in
1-3/8" or greater	BL-38B355BF22	BL-38B358BF22

Installation screw	
Flat head wood screw	BL-606N or BL-606P

Accessories	
Angle restriction clip	BL-38C315B3-1
Hinge cup spacer	BL-38C355B9

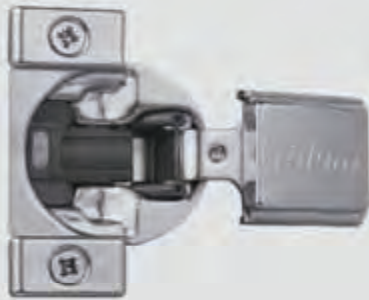
**Hinge arm cover caps**



39C/38C cover cap



38N cover cap



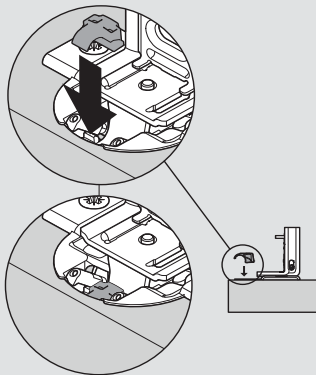
- ☒ Steel, nickel-plated cap
- ☒ Available blank or embossed (Blum logo)
- ☒ Also available with printed custom logo (minimum order quantity applies)

Part no.

39C/38C blank cover cap	<b>BL-38C3508</b>
39C/38C Blum logo embossed cover cap	<b>BL-38C3508-BP</b>
38N blank cover cap	<b>BL-38N3508B</b>
38N Blum logo embossed cover cap	<b>BL-38N3508BBP</b>

**Angle restriction clip**

- ☒ Restricts opening angle of the COMPACT BLUMOTION to 86°
- ☒ Angle restriction clip must be inserted before the hinge has been attached to the face frame
- ☒ Gray nylon

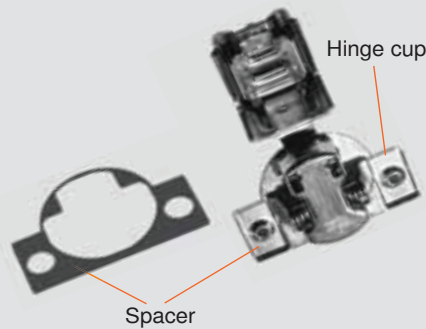


Part no.

Angle restriction clip **BL-38C315B3-1**

**Hinge cup spacer**

- ☒ 1/16" spacer for use under the hinge cup for thin or profile doors
- ☒ Non-stackable
- ☒ Gray nylon

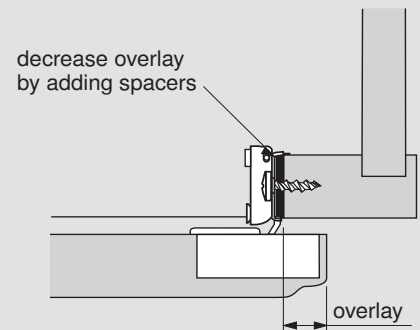
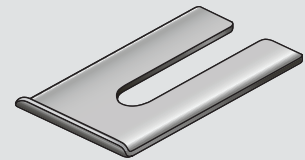


Part no.

Hinge cup spacer **BL-38C355B9**

**Distance spacer**

- ☒ Steel spacer decreases door overlay in 1/32" increments
- ☒ Can be stacked to achieve desired overlay reduction
- ☒ Steel, zinc-coated

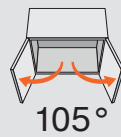


Part no.

Distance spacer **BL-36-3515**

Dimensions in millimeters





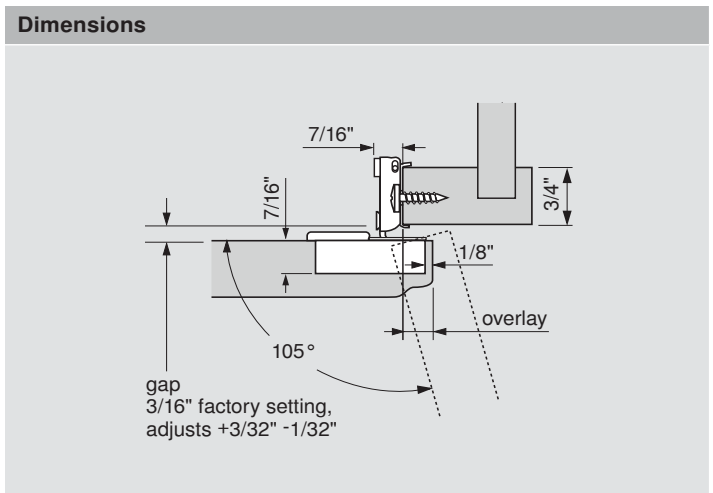
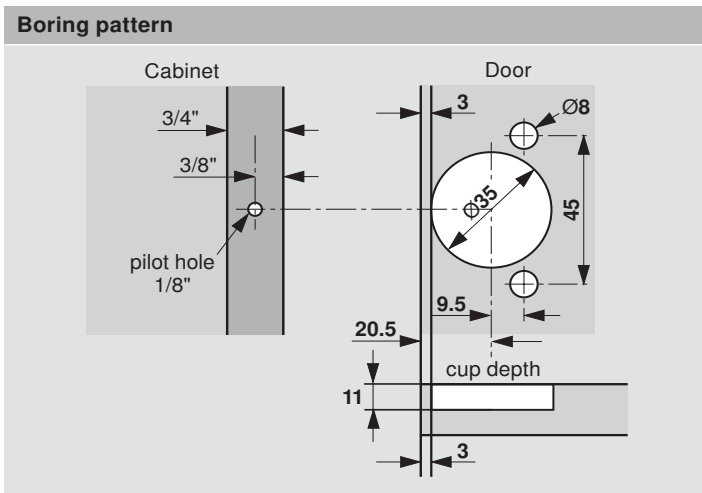
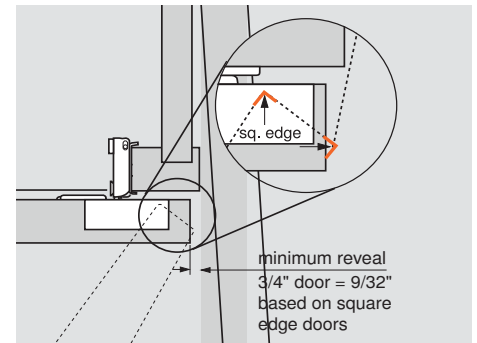
105°



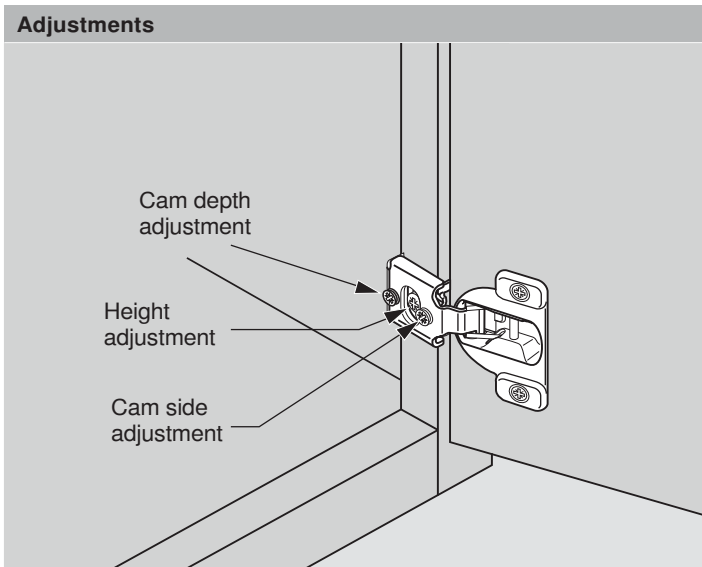
**Features**

- ☒ 105° opening angle
- ☒ One piece assembly
- ☒ Wraparound or edge mount
- ☒ 7/16" cup depth
- ☒ ±1/8" height adjustment
- ☒ ±1/16" side adjustment
- ☒ +3/32", -1/32" cam depth adjustment
- ☒ Steel, nickel-plated
- ☒ Can be used with BLUMOTION 971A9700

**Minimum reveal**



**NOTE:** Maximum door thickness 3/4"



**Wraparound hinges**

Overlay	Screw-on	Press-in
3/8"	BL-38N355C-06	BL-38N358C-06
1/2"	BL-38N355C-08	BL-38N358C-08
5/8"	BL-38N355C-10	BL-38N358C-10
3/4"	BL-38N355C-12	BL-38N358C-12

**Edge mount hinges**

Overlay	Screw-on	Press-in
1/2"	BL-38N355CE08	BL-38N358CE08

**Calculating door protrusion**

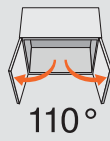
Door overlay	Door protrusion
3/8"	1/4"
1/2"	1/8"
5/8"	0
3/4"	0

**Installation screw**

Truss head installation screw	BL-834TH
-------------------------------	----------

Dimensions in millimeters

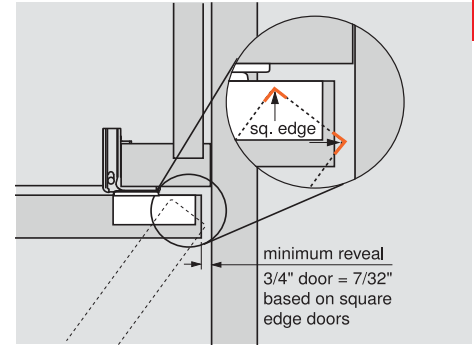
**COMPACT 39C**  
for full overlay



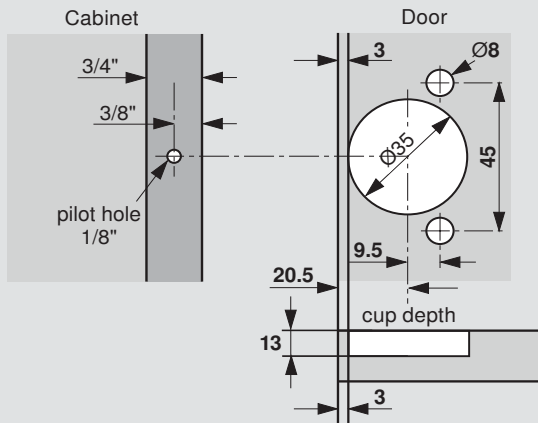
**Features**

- ✘ 110° opening angle
- ✘ One piece assembly
- ✘ Wraparound mount
- ✘ 1/2" cup depth
- ✘ ±1/8" height adjustment
- ✘ ±1/16" side adjustment
- ✘ +3/32", -1/32" cam depth adjustment
- ✘ Steel, nickel-plated
- ✘ Can be used with BLUMOTION 971A9700

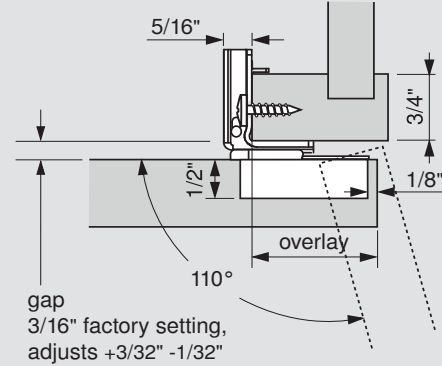
**Minimum reveal**



**Boring pattern**

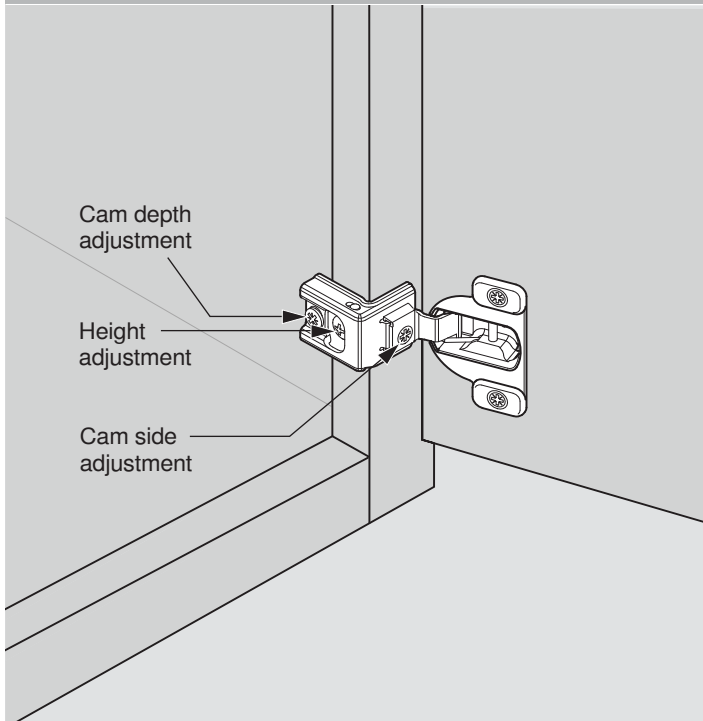


**Dimensions**




**NOTE:** Maximum door thickness 3/4"

**Adjustments**



**Wraparound hinges**

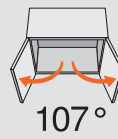


Overlay	Screw-on	 Press-in
1"	BL-39C355C-16	BL-39C358C-16
1-1/4"	BL-39C355C-20	BL-39C358C-20
1-5/16"	BL-39C355C-21	BL-39C358C-21
1-3/8"	BL-39C355C-22	BL-39C358C-22
1-1/2"	BL-39C355C-24	BL-39C358C-24
1-9/16"		BL-39C358C-25

**Installation screw**

Truss head installation screw

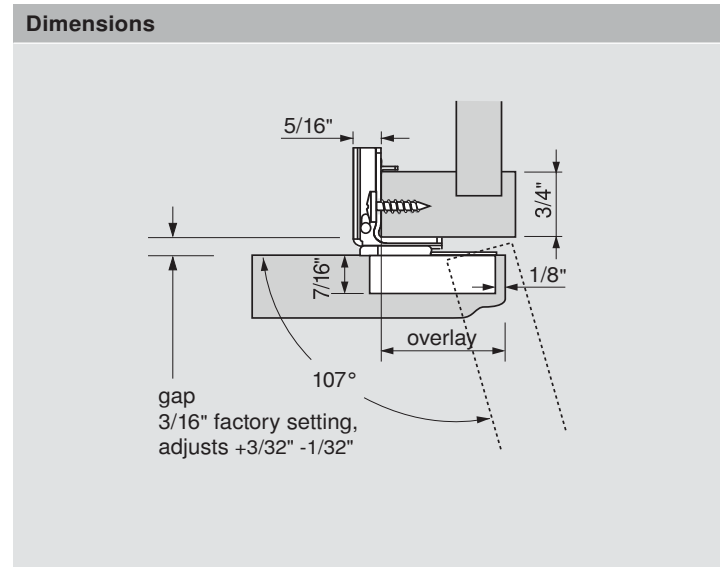
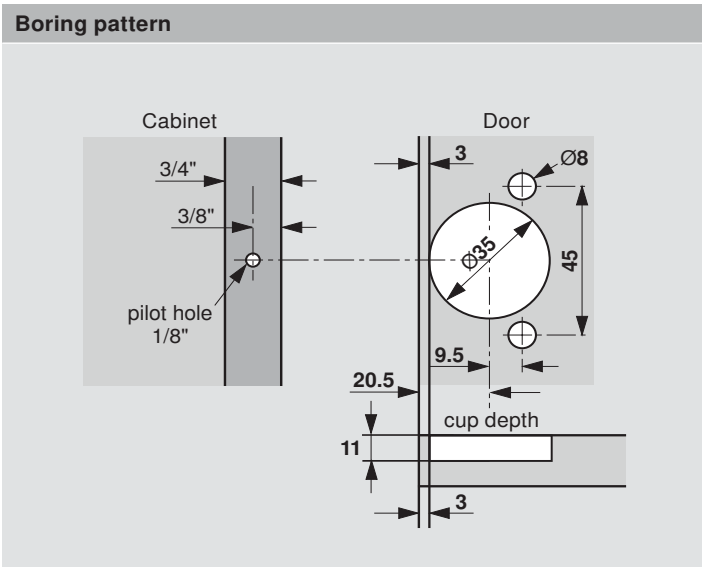
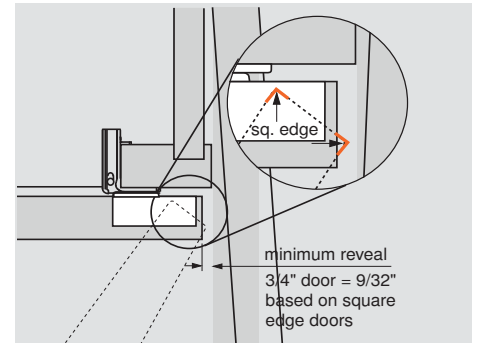
BL-834TH



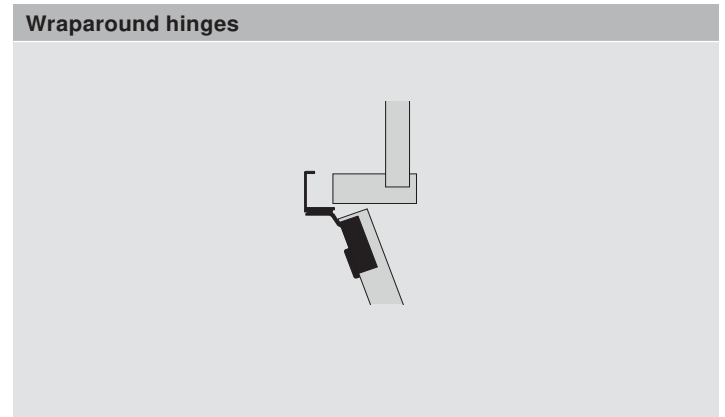
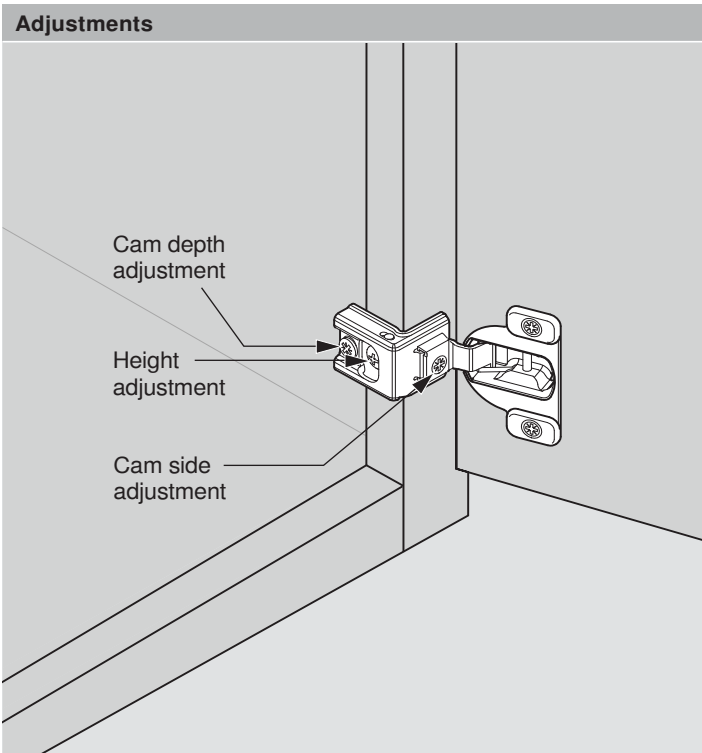
**Features**

- ✘ 107° opening angle
- ✘ One piece assembly
- ✘ Wraparound mount
- ✘ 7/16" cup depth
- ✘ ±1/8" height adjustment
- ✘ ±1/16" side adjustment
- ✘ +3/32", -1/32" cam depth adjustment
- ✘ Steel, nickel-plated
- ✘ Can be used with BLUMOTION 971A9700

**Minimum reveal**



**NOTE:** Maximum door thickness 3/4"



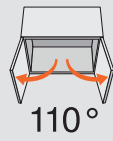
Overlay	Screw-on	Press-in
1-1/4"	<b>BL-38C355C-20</b>	BL-38C358C-20
1-3/8"		BL-38C358C-22
1-1/2"		BL-38C358C-24

**Installation screw**

Truss head installation screw	<b>BL-834TH</b>
-------------------------------	-----------------

Dimensions in millimeters

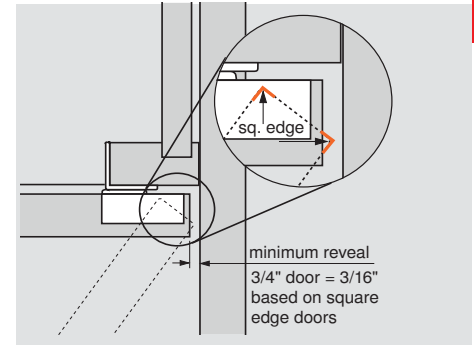
# COMPACT 33



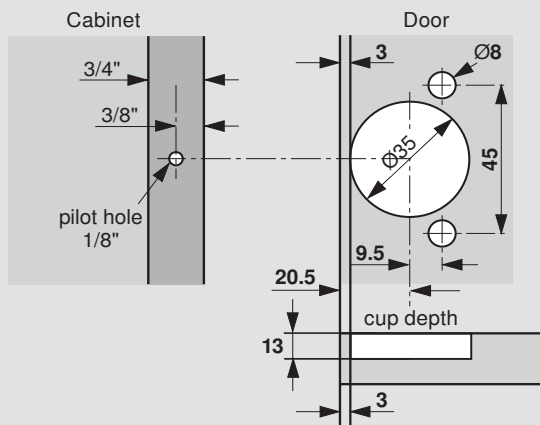
### Features

- ❑ 110° opening angle
- ❑ Two piece assembly
- ❑ Edge or face mount
- ❑ 1/2" cup depth
- ❑ ±9/64" height adjustment
- ❑ -1/8" side adjustment only
- ❑ Zinc die-cast hinge and mounting plates
- ❑ Can be used with BLUMOTION 971A9700

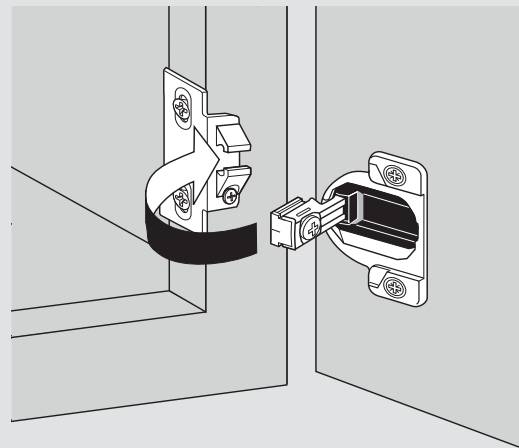
### Minimum reveal



### Boring pattern



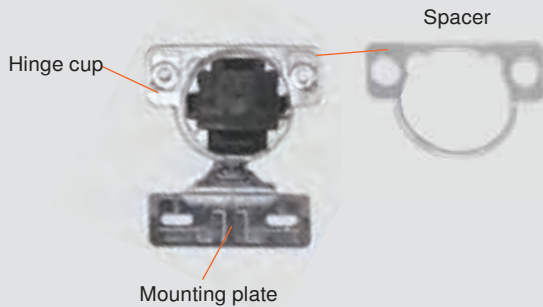
### Mounting



**NOTE:** Maximum door thickness 3/4"

### COMPACT 33 spacer

- ❑ For use with profile or thin doors with a cup depth less than 13 mm
- ❑ 1.5 mm spacer placed under the hinge cup
- ❑ Clear nylon



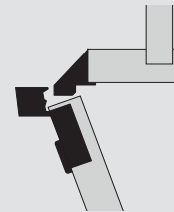
Part no.

COMPACT 33 spacer

**BL-58-0890-1198**

### Attachment options

#### Edge mount



#### Face mount



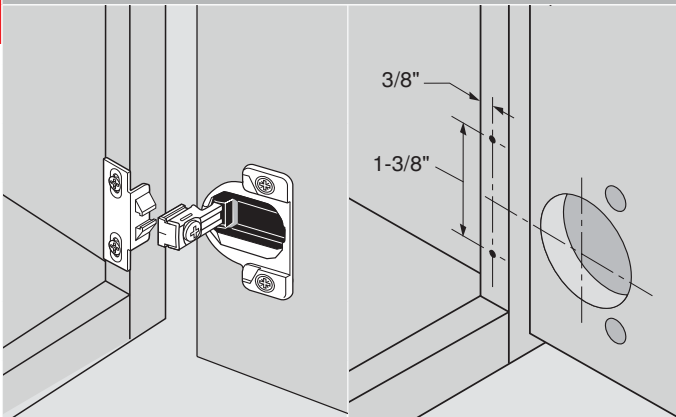
Attachment	Screw-on	47 Press-in
	<b>BL-33-3600</b>	<b>BL-33-3630</b>

### Installation screw

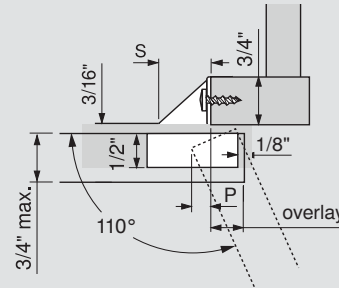
Wood screw

**BL-606N or BL-606P**

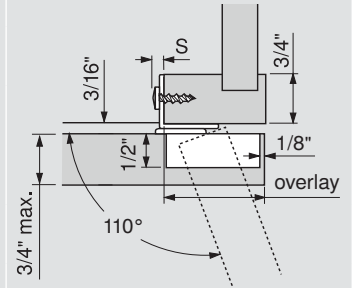
## Edge mount specifications



Minimum overlay of 1/4" using a 130.1100.24 edge mount plate



Maximum overlay of 1-5/8" using a 130.1160 edge mount plate



## Edge mount mounting plates

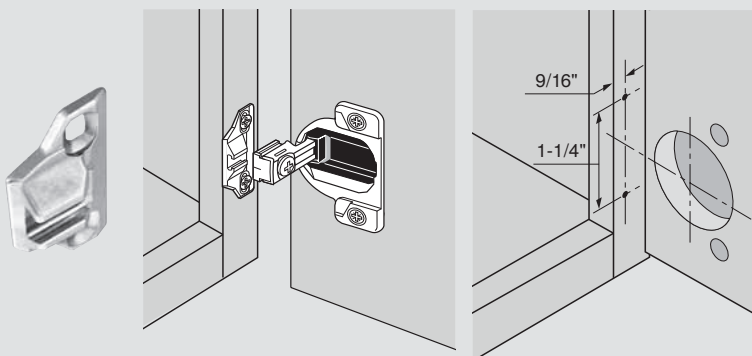


- ☒ Zinc die-cast, nickel-plated
- ☒ Attaches with #6 x 5/8" wood screws (606N or 606P)
- ☒ Overlays from 1/4" to 1-5/8"

**NOTE:** An additional screw is required on mounting plates with 1-3/8" to 1-5/8" overlays to insure stability. Install after height adjustments have been made.

Overlay	Hinge arm protrusion (S)	Door protrusion (P)	Mounting plate
1/4"	1-1/8"	1/2"	BL-130-1100-24
1/2"	7/8"	1/4"	BL-130-1100-23
5/8"	3/4"	1/8"	BL-130-1100-26
3/4"	5/8"	0	BL-130-1100-22
1"	3/8"	0	BL-130-1110-02
1-1/8"	1/4"	0	BL-130-1120-02
1-1/4"	3/16"	0	BL-130-1130-02
*1-3/8"	3/16"	0	BL-130-1140-02
*1-1/2"	3/16"	0	BL-130-1150-02
*1-5/8"	3/16"	0	BL-130-1160

## Face mount mounting plate



- ☒ Zinc die-cast, nickel-plated
- ☒ Attaches with #6 x 5/8" wood screws (606N or 606P)
- ☒ Overlays 1-3/8" or greater

Mounting plate

Part no.

Face mount

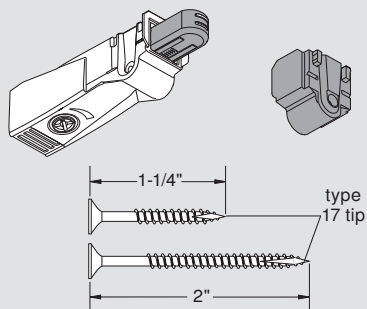
**BL-133-0240**

Dimensions in millimeters

# BLUMOTION 971A for COMPACT hinges



## BLUMOTION 971A poly-bag set



Can be used for all COMPACT hinges  
Set includes:

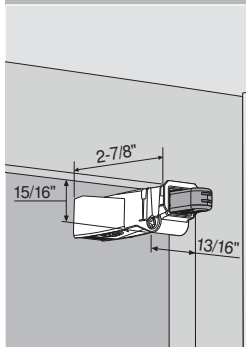
- ☒ BLUMOTION mechanism (971A9700)
- ☒ Spacer (971A9709)
- ☒ #8 x 1-1/4" type 17 wood screw
- ☒ #8 x 2" type 17 wood screw

Part no.

Poly-bag set

**BL-971A9700-22**

### Full overlay

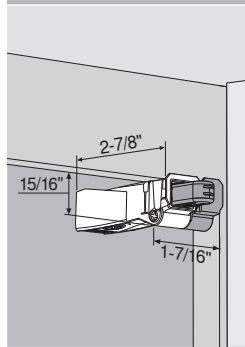


- ☒ Full overlay – 1" or greater overlay

Part no.

BLUMOTION	<b>BL-971A9700</b>
Installation screw (1-1/4")	<b>BL-8114Z</b>

### Partial overlay



- ☒ Partial overlay – less than 1" overlay

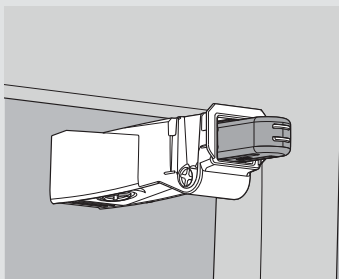
Part no.

BLUMOTION	<b>BL-971A9700</b>
Spacer	<b>BL-971A9709</b>
Installation screw (2")	<b>BL-8200Z</b>

## Specifications

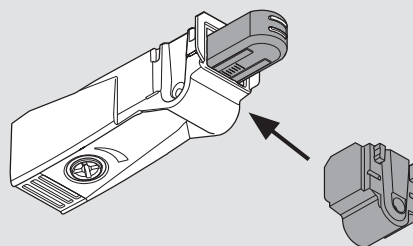
### Mounting

BLUMOTION for doors mounts anywhere on the hinge-side stile of the cabinet using a 1-1/4" screw or 2" screw when using spacer.



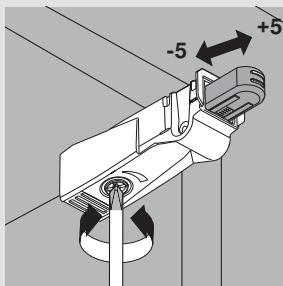
### Attachment of partial overlay spacer

The partial overlay spacer snaps onto the side of the BLUMOTION for easier mounting.



### Adjustment

Use a Phillips or POZI screwdriver to adjust the contact point in or out (+5/-5 mm). Adjust out for larger, heavier doors or in for smaller, lighter doors.

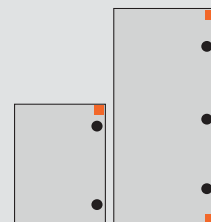


### BLUMOTION per door

For optimum BLUMOTION effect, one BLUMOTION 971A should be installed for most applications.

Tall or heavy doors may require an additional BLUMOTION 971A  
Trial application recommended.

- ☒ BLUMOTION 973A
- Hinges



## MINIPRESS P – Deluxe boring and insertion machine



- ☒ Front adjustable boring distance with digital counter
- ☒ Pneumatic hold-down clamps
- ☒ Boring depth adjustment
- ☒ Ruler stops (qty 4)
- ☒ Tool kit included
- ☒ Dust collection attachment
- ☒ Optional laser center line set
- ☒ Accepts new 8 or 9 spindle heads

Part no.

Single phase – 220V power

**BL-M53-1053-US**

Three-phase – 220V power

**BL-M53-1004-US**

## MINIDRILL P – Standard boring machine



- ☒ Front adjustable boring distance
- ☒ Ruler stops (qty 4)
- ☒ Tool kit included
- ☒ Dust collection attachment
- ☒ Optional laser center line, digital counter and hold down clamps sets
- ☒ Accepts new 8 or 9 spindle heads

Part no.

Single phase – 220V power

**BL-M53-1053-50**

### Euro hinge insertion ram

- ☒ Can be used for inserting most Blum press-in Euro hinges



**NOTE:** Not for use with 170°, 155° and 125° wide angle hinges

Part no.

#40 insertion ram

**BL-MZM-0040**

### COMPACT hinge insertion ram

- ☒ Can be used for inserting all Blum COMPACT press-in hinges



Part no.

#47 insertion ram

**BL-MZM-0047**

## Machine accessories

## Knock-in tool



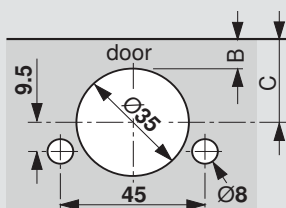
- Can be used to insert all Blum press-in hinges

Part no.

Knock-in tool

**BL-ZME-0710**

## ECODRILL



- Simple device for boring Blum hinge pattern
- Driven by electric/cordless drill (18v or higher)
- Boring distance adjusts from 2 mm to 8 mm
- Clamps to various door thicknesses up to 40 mm
- Includes drill bits (pre-installed) and two Torx bits

Part no.

ECODRILL

**BL- M31-1000**

### Accessories

Replacement Ø35 mm bit

**BL-M31-ZB35-02**

Replacement Ø8 mm bit

**BL-M31-ZB08-02**

Tool set

**BL-MZW-1300**

## ECOJIG



holes are:  
32 mm apart,  
37 mm setback



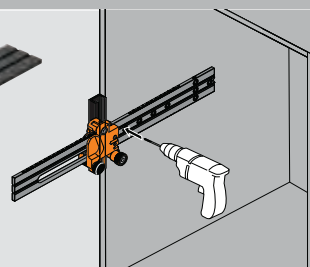
- Used to bore Ø5 mm holes for mounting plates that are mounted with system screws, EXPANDO dowels or INSERTA
- Also can be used to pre-bore Ø5 mm holes for EXPANDO BLUMOTION adapters
- Ø5 mm stop collar included

Part no.

ECOJIG

**BL-65-5070**

## Universal individual template



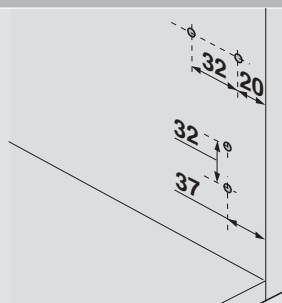
- For pre-boring mounting plates
- Also used for marking and pre-boring cabinet profiles, BLUMOTION, TIP-ON adapter plates and AVENTOS locating pins
- Calibrated scale for accurate setting

Part no.

Universal individual template

**BL-65-1051-02**

## Mounting plate template



- For pre-boring TIP-ON for doors wing and in-line adapters
- Can also be used to bore for wing (37 mm) and in-line (20 mm) mounting plates
- Additional hole location added (37 mm) for in-line adapter for standard doors
- Simple location of adapter and mounting plate screw positions
- Pilot bore Ø2.5 mm holes for wood screws

Part no.

Mounting plate template

**BL-65-5300\***



## QUICKFIX



- ☒ Drilling sleeve dimensions changed from 2.5 mm to 5 mm for drilling for in-line mounting plates
- ☒ Locates/matches positions of hinges and plates on cabinets and doors
- ☒ Transfers positions from door-to-cabinet and cabinet-to-door
- ☒ Adjustable stop for various door overlays
- ☒ For use with wing or in-line mounting plates

Part no.

QUICKFIX **BL-65-7500-03**

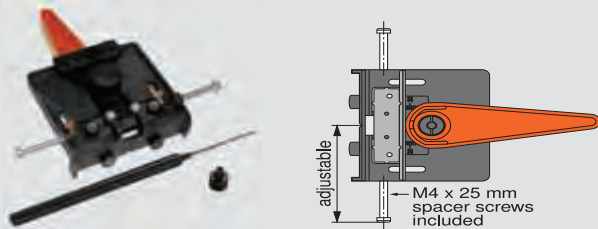
### Accessories

Additional CLIP template **BL-65-7510-03**

2.2 meter rail **BL-65-7590**

Ø5 mm drill bit **BL-DB-5mm**

## PLATEMATE



- ☒ Boring template for all Blum face frame adapter plates
- ☒ Clamps to the frame with cam lever
- ☒ Adjustment knob accommodates frame thickness of 5/8" to 1"
- ☒ Spacer screws permit quick use without measuring
- ☒ Includes 2.5 mm pilot bit and drill bit extension

Part no.

PLATEMATE **BL-65-5030-01**

## Dowelling fixture



- ☒ Tool designed for attaching and removing dowels from hinges
- ☒ Mounts directly to work surface

Part no.

Doweling fixture **BL-69-3600**

## INSERTA boring template

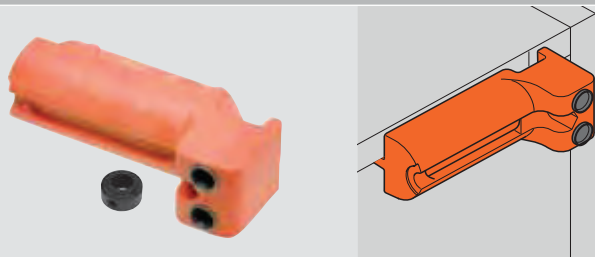


- ☒ For boring Ø8 mm dowel holes after Ø35 mm hole is bored
- ☒ Boring distance adjusts from 2 mm to 8 mm
- ☒ Also bores Ø5 mm holes for system screw mounting plates
- ☒ Includes drill stop collar to pilot bore Ø2.5 mm for screw-on plates

Part no.

INSERTA boring template **BL-65-059A**

## BLUMOTION and TIP-ON for doors boring template



- ☒ For pre-boring BLUMOTION and TIP-ON units
- ☒ Ø10 mm drill bushing for edge boring
- ☒ Bores left and right side of cabinet
- ☒ Includes Ø10 mm stop collar

Part no.

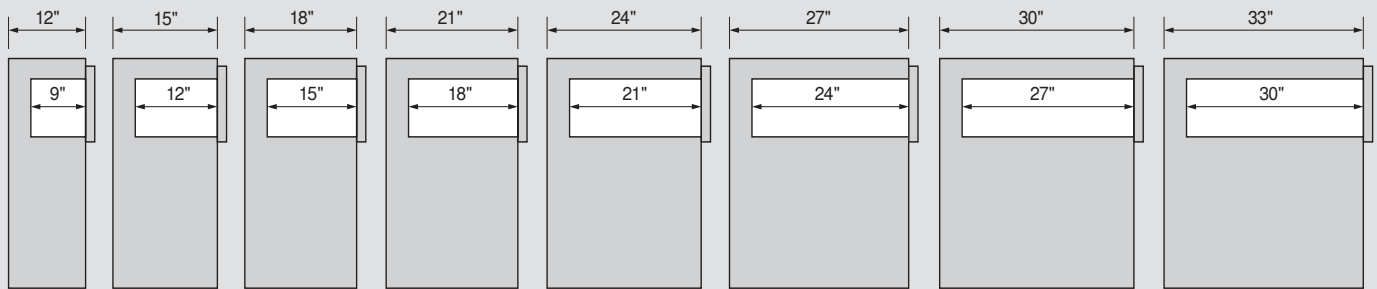
BLUMOTION and TIP-ON for doors boring template **BL-65-5010**

Dimensions in millimeters

Drawer length	Full extension	Full extension with BLUMOTION		Heavy duty full extension with BLUMOTION	
	Maximum drawer thickness	Maximum drawer thickness		Maximum drawer thickness	
	5/8"	5/8"	3/4"	5/8"	3/4"
9"	562H	563H	563F		
12"					
15"					
18"		563H and 563.		569H	569F
21"					
24"			569.	569A	
27"					
30"					
Capacity static/dynamic	100/75 lb	100/90 lb*		150/135 lb*	

\*Per ANSI/BHMA A156.9 Grade 1 standards on a 21" length drawer box

Standard lengths



TANDEM series runners are based on the American standard 3" cabinet depth system, therefore runner lengths are in 3" increments. TANDEM plus runners are available for drawers from 9" to 30" in length.

> Planning Tools

Blum has downloadable Excel® spreadsheets that provide the required parts and calculate the mounting locations for your application.

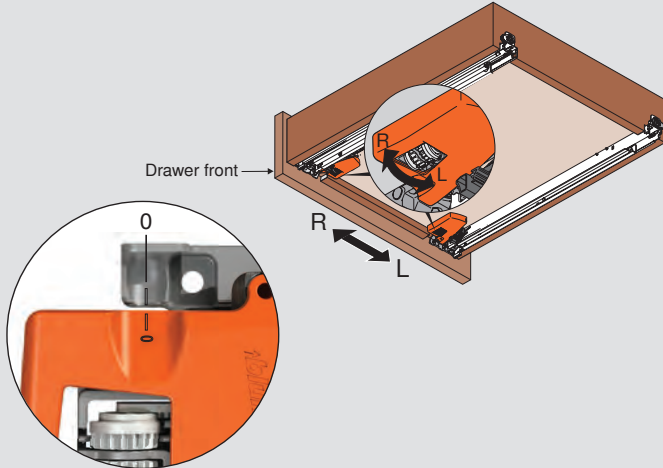
Planning tools are easily accessible on our website at [blum.com/planning](http://blum.com/planning)



**Front side-to-side adjustment**

- 1 Rotate side-to-side adjustment left or right equally on both locking devices. Drawer front moves in the same direction as rotation.

**BL-T51-1901-xx** with side-to-side adjustment

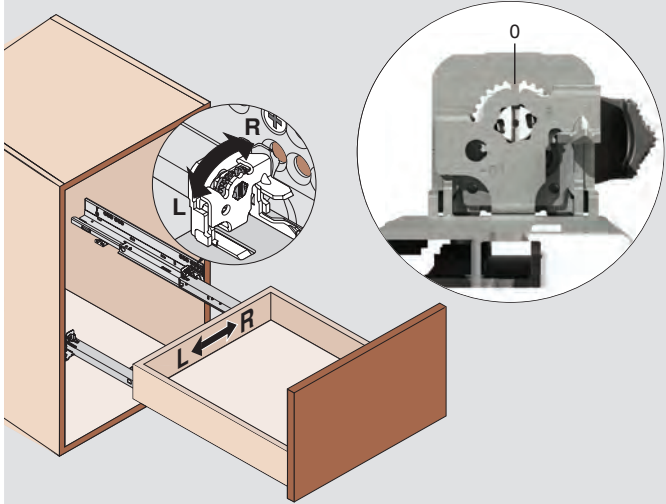


Maximum **1.5 (1/16")** to left or right (tool-free)

**NOTE:** Not available on T51.x8xx locking devices

**Rear side-to-side adjustment**

- 2 After front side-to-side adjustment is made with the locking devices, rotate the rear side-to-side adjustment left or right to re-align the back of the drawer box with the front. Drawer back moves in the same direction as rotation.



Maximum **1.5 (1/16")** to left or right (tool-free)

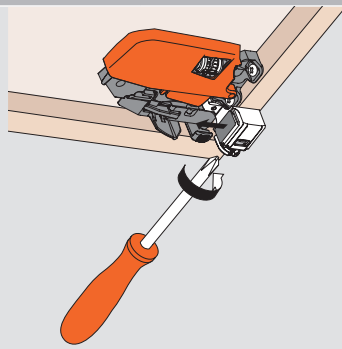
**Depth adjustable locking device**

Locking device

**BL-T51-1901-PS**

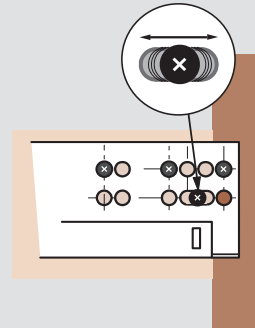
with side-to-side, height and depth adjustment

Turning the adjustment screw allows for up to **2.5 (3/32")** out adjustment

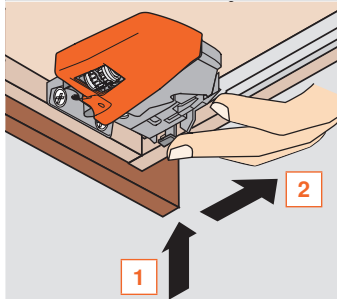


**Depth adjustment on runner**

TANDEM 563 and 569 runners feature elongated holes that allow  $\pm 4.5 (3/16")$  depth adjustment



**Height adjustment**



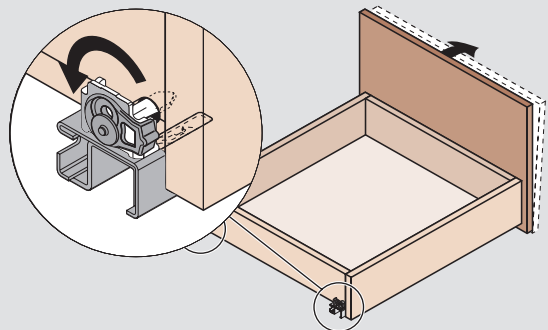
- 1 Press up on adjustment tab
- 2 Push towards back of drawer

Maximum **3 (1/8")** rise of drawer front (tool-free)

**NOTE:** Height adjustment available on all TANDEM locking devices

**Tilt adjustment**

Rotate the tilt adjustment lever on the rear of each runner to tilt the top of the drawer front forward



Maximum **5 (3/16")** rise of drawer back (tool-free)

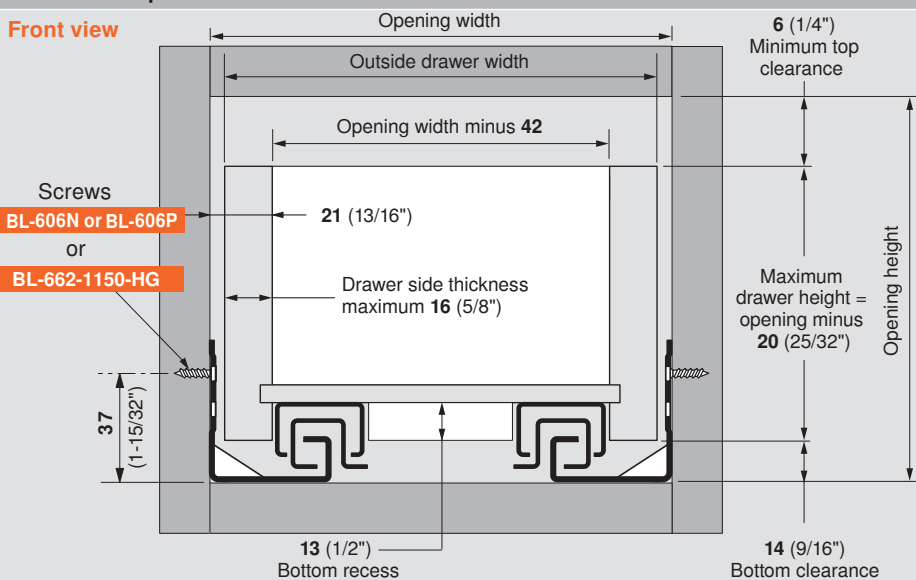
## Drawer and Cabinet Specifications



Maximum drawer thickness	16 (5/8")
Lengths available	9" - 21"
Static load capacity	100 lb

### Drawer box specifications

#### Front view



**NOTE:** Drawer side material thickness may vary. Accurate measurement of drawer side material thickness should be used when calculating outside drawer width using the table below. Inside drawer width **must** equal opening width minus 42 (1-21/32") for TANDEM to align and function optimally.

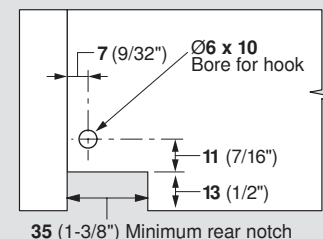
#### Calculating outside drawer width

For drawer side thickness	16 (5/8")	15 (19/32")	14 (9/16")	13 (1/2")	12 (15/32")
Deduct from opening width	10 (13/32")	12 (15/32")	14 (9/16")	16 (5/8")	18 (23/32")

**Example:** For 21" opening width and a 5/8" thick drawer, 21" minus 13/32" = 20-19/32" drawer width

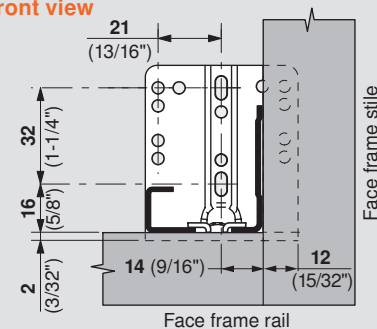
### Drawer back preparation

#### Rear view



### Rear mounting bracket

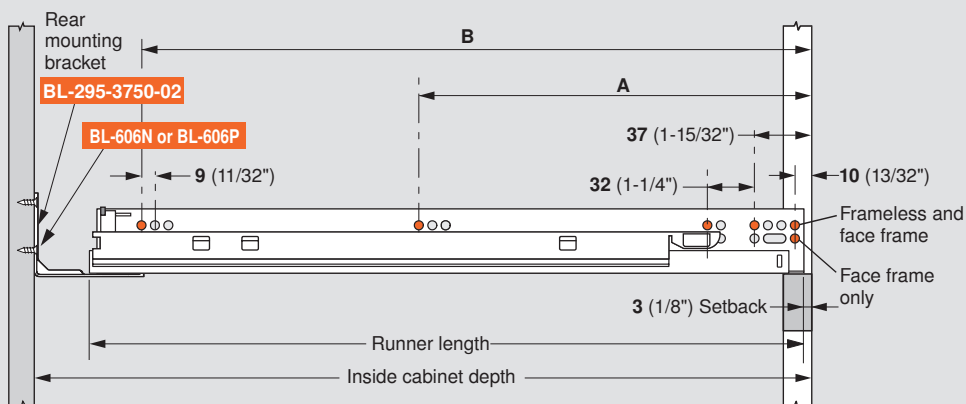
#### Front view



**NOTE:** For frame applications, use a minimum of three screws per bracket

### Runner mounting specifications

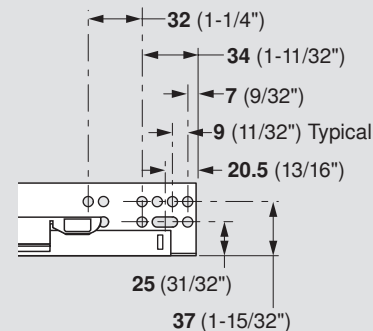
#### Side view



**NOTE:** The orange dots indicate fixing screw locations required to meet specified load ratings

TANDEM plus BLUMOTION	Drawer length	Inside cabinet depth with rear attachment		Runner length	Screw locations for frameless cabinets	
		Maximum	Minimum		A	B
BL-563H5330B	533 (21")	599 (23-19/32")	557 (21-15/16")	548 (21-9/16")	261 (10-9/32")	517 (20-11/32")
BL-563H4570B	457 (18")	522 (20-9/16")	480 (18-29/32")	471 (18-17/32")	261 (10-9/32")	453 (17-27/32")
BL-563H3810B	381 (15")	446 (17-9/16")	404 (15-29/32")	395 (15-9/16")	165 (6-1/2")	357 (14-1/16")
BL-563H3050B	305 (12")	370 (14-9/16")	328 (12-29/32")	319 (12-9/16")	165 (6-1/2")	261 (10-9/32")
BL-563H2290B10	229 (9")	299 (11-25/32")	266 (10-15/32")	259 (10-3/16")	133 (5-1/4")	229 (9")

#### Runner close-up

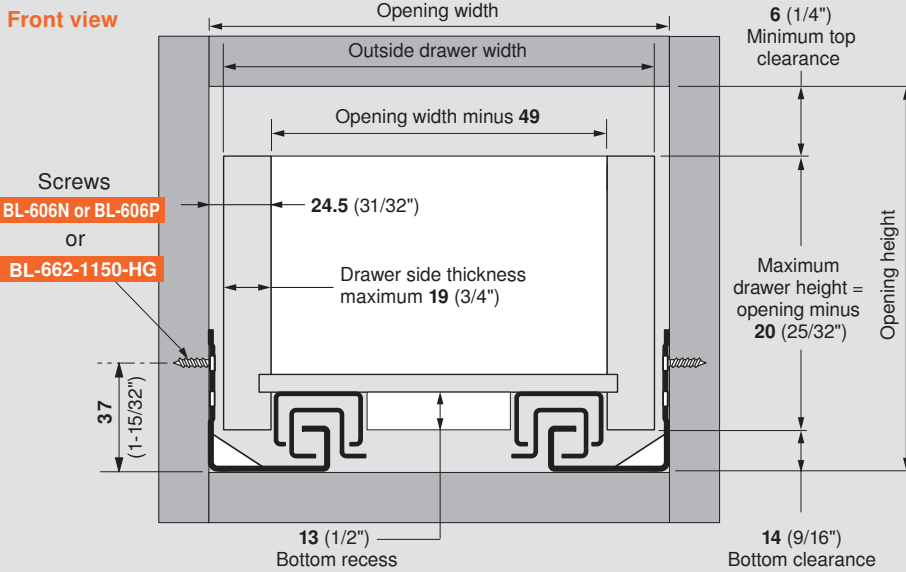


**NOTE:** Elongated holes are for ±4.5 (3/16") depth adjustment only. Additional screws must be used to secure the runner to the cabinet.

## Drawer and Cabinet Specifications

Maximum drawer thickness	19 (3/4")
Lengths available	9" - 21"
Static load capacity	100 lb

### Drawer box specifications



**NOTE:** Drawer side material thickness may vary. Accurate measurement of drawer side material thickness should be used when calculating outside drawer width using the table below. Inside drawer width **must** equal opening width minus 49 (1-15/16") for TANDEM to align and function optimally.

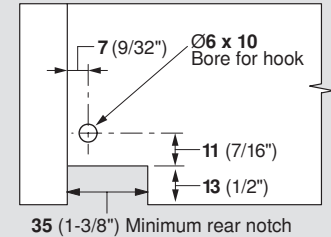
#### Calculating outside drawer width

For drawer side thickness	19 (3/4")	18 (23/32")	17 (21/32")	16 (5/8")	15 (19/32")
Deduct from opening width	11 (7/16")	13 (1/2")	15 (19/32")	17 (21/32")	19 (3/4")

**Example:** For 21" opening width and a 3/4" thick drawer, 21" minus 7/16" = 20-9/16" drawer width

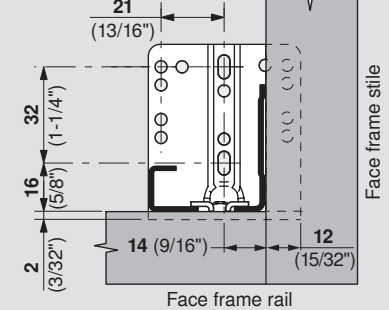
### Drawer back preparation

#### Rear view



### Rear mounting bracket

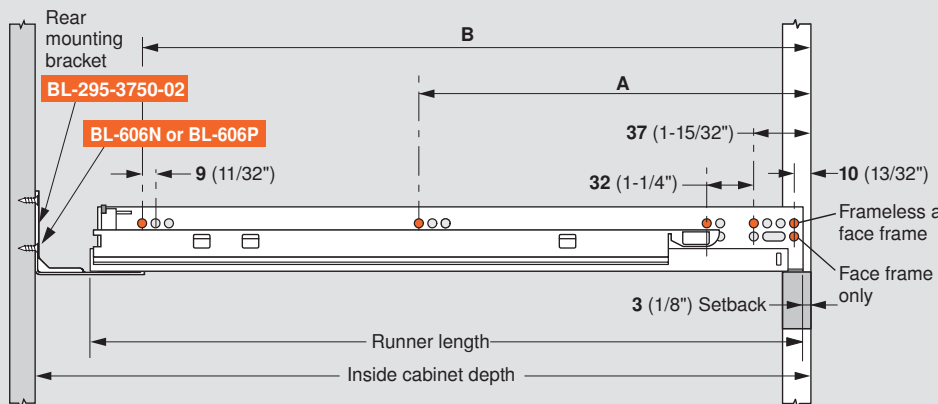
#### Front view



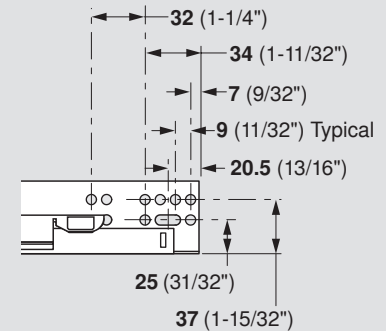
**NOTE:** For frame applications, use a minimum of three screws per bracket

### Runner mounting specifications

#### Side view



#### Runner close-up



**NOTE:** Elongated holes are for ±4.5 (3/16") depth adjustment only. Additional screws must be used to secure the runner to the cabinet.

**NOTE:** The orange dots indicate fixing screw locations required to meet specified load ratings

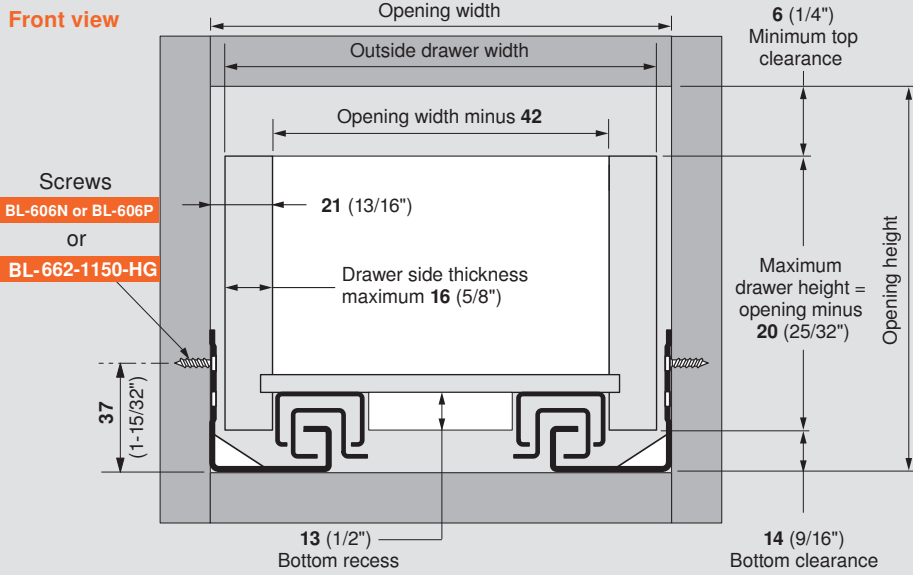
TANDEM plus BLUMOTION	Drawer length	Inside cabinet depth with rear attachment		Runner length	Screw locations for frameless cabinets	
		Maximum	Minimum		A	B
BL-563F5330B	533 (21")	599 (23-19/32")	557 (21-15/16")	548 (21-9/16")	261 (10-9/32")	517 (20-11/32")
BL-563F4570B	457 (18")	522 (20-9/16")	480 (18-29/32")	471 (18-17/32")	261 (10-9/32")	453 (17-27/32")
BL-563F3810B	381 (15")	446 (17-9/16")	404 (15-29/32")	395 (15-9/16")	165 (6-1/2")	357 (14-1/16")
BL-563F3050B	305 (12")	370 (14-9/16")	328 (12-29/32")	319 (12-9/16")	165 (6-1/2")	261 (10-9/32")
BL-563F2290B10	229 (9")	299 (11-25/32")	266 (10-15/32")	259 (10-3/16")	133 (5-1/4")	229 (9")

## Drawer and Cabinet Specifications



Maximum drawer thickness	16 (5/8")
Lengths available	18" - 30"
Static load capacity	150 lb

### Drawer box specifications



**NOTE:** Drawer side material thickness may vary. Accurate measurement of drawer side material thickness should be used when calculating outside drawer width using the table below. Inside drawer width **must** equal opening width minus 42 (1-21/32") for TANDEM to align and function optimally.

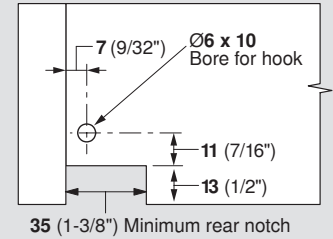
#### Calculating outside drawer width

For drawer side thickness	16 (5/8")	15 (19/32")	14 (9/16")	13 (1/2")	12 (15/32")
Deduct from opening width	10 (13/32")	12 (15/32")	14 (9/16")	16 (5/8")	18 (23/32")

**Example:** For 21" opening width and a 5/8" thick drawer, 21" minus 13/32" = 20-19/32" drawer width

### Drawer back preparation

#### Rear view



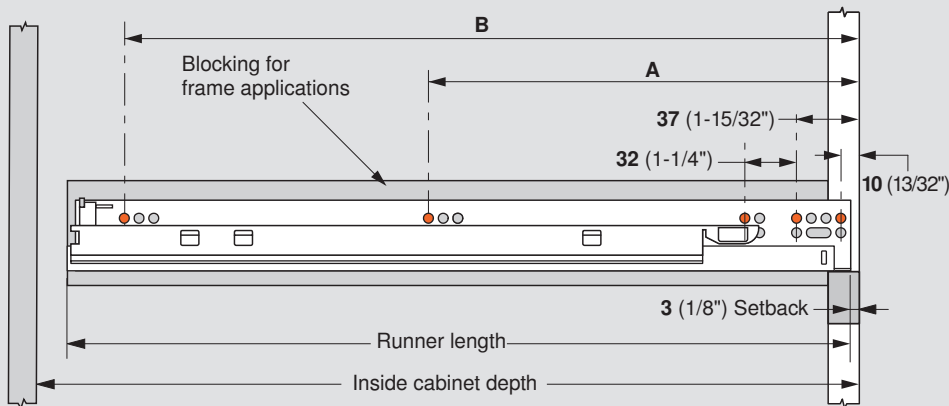
### Runner comparison

#### Side view

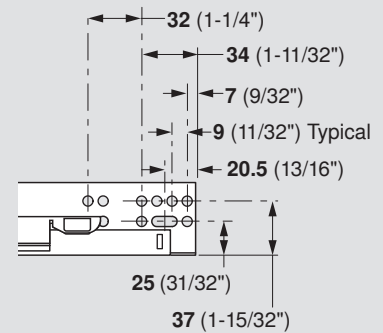


### Runner mounting specifications

#### Side view



#### Runner close-up

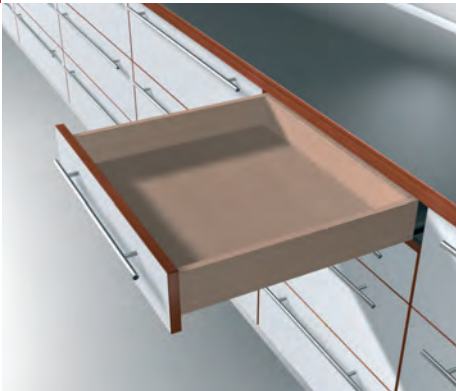


**NOTE:** Elongated holes are for ±4.5 (3/16") depth adjustment only. Additional screws must be used to secure the runner to the cabinet.

**NOTE:** The orange dots indicate fixing screw locations required to meet specified load ratings

TANDEM plus BLUMOTION	Drawer length	Minimum inside cabinet depth	Runner length	Screw locations for frameless cabinets	
				A	B
BL-569-7620B	762 (30")	786 (30-15/16")	777 (30-19/32")	261 (10-9/32")	389 (15-5/16")
BL-569-6860B	686 (27")	709 (27-29/32")	700 (27-9/16")	261 (10-9/32")	389 (15-5/16")
BL-569-6100B	610 (24")	634 (24-31/32")	625 (24-19/32")	261 (10-9/32")	389 (15-5/16")
BL-569H5330B	533 (21")	557 (21-15/16")	548 (21-9/16")	261 (10-9/32")	517 (20-11/32")
BL-569H4570B	457 (18")	480 (18-29/32")	471 (18-17/32")	261 (10-9/32")	453 (17-27/32")

**Application**



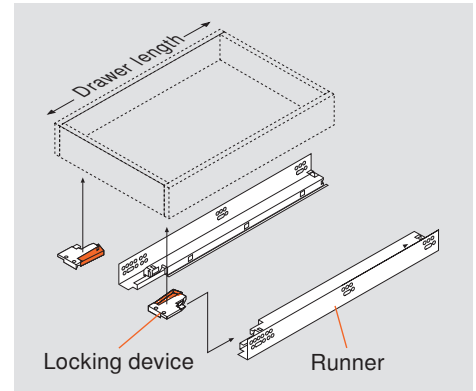
**Features**

- Four-dimensional adjustment
- Elongated holes for depth adjustment
- 150 lb static load capacity

**Description**

- ☒ Full extension concealed runners
- ☒ Frameless or blocked-out face frame cabinets
- ☒ BLUMOTION soft closing
- ☒ TANDEM smooth running action
- ☒ Available in 18" to 30" lengths
- ☒ 16 (5/8") to 19 (3/4") drawer thickness

**Basic Components**



**Other Applications**



**Components**

Runner set			
One set required per drawer			
BLUMOTION by Blum	For overall cabinet depth	Drawer length	TANDEM plus BLUMOTION
	<b>838</b> (33")	<b>762</b> (30")	<b>BL-569A7620B</b>
	<b>762</b> (30")	<b>686</b> (27")	<b>BL-569A6860B</b>
	<b>686</b> (27")	<b>610</b> (24")	<b>BL-569A6100B</b>
	<b>610</b> (24")	<b>533</b> (21")	<b>BL-569F5330B</b>
	<b>533</b> (21")	<b>457</b> (18")	<b>BL-569F4570B</b>
	Wood screw for installation		<b>BL-606N or BL-606P</b>
	System screw for installation		<b>BL-662-1150-HG</b>

Standard locking device with side-to-side adjustment		
	<ul style="list-style-type: none"> <li>☒ One right and one left required per drawer</li> <li>☒ Captive right and self-aligning left device</li> <li>☒ Self-adjusting drawer length tolerance</li> <li>☒ Steel base with synthetic, spring-loaded release levers</li> <li>☒ Minimum inside drawer width <b>170</b> (6-11/16")</li> <li>☒ Height adjustment <b>+3</b> (1/8")</li> <li>☒ Side-to-side adjustment <b>±1.5</b> (1/16")</li> <li>☒ For use with 563/569 series runners only</li> </ul>	
	Part no.	
	Right locking device	<b>BL-T511901 R</b>
	Left locking device	<b>BL-T511901 L</b>
	Installation screw	<b>BL-606N or 606P</b>

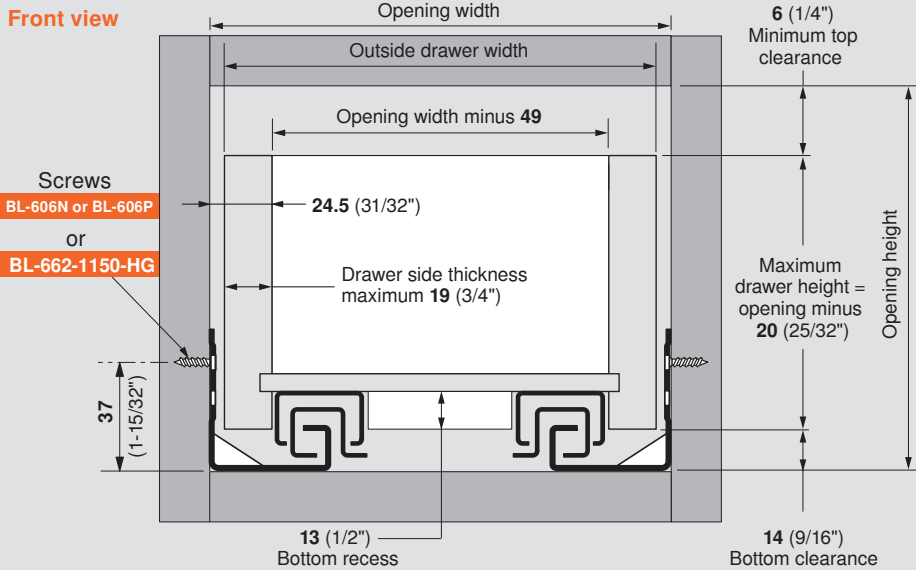
**NOTE:** For heavy duty applications, rear brackets and sockets cannot be used. Cabinet sides must be blocked-out flush with the inside of the frame.

## Drawer and Cabinet Specifications



Maximum drawer thickness	19 (3/4")
Lengths available	18" - 30"
Static load capacity	150 lb

### Drawer box specifications



**NOTE:** Drawer side material thickness may vary. Accurate measurement of drawer side material thickness should be used when calculating outside drawer width using the table below. Inside drawer width **must** equal opening width minus 49 (1-15/16") for TANDEM to align and function optimally.

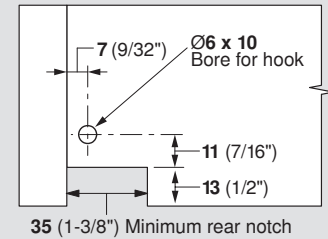
#### Calculating outside drawer width

For drawer side thickness	19 (3/4")	18 (23/32")	17 (21/32")	16 (5/8")	15 (19/32")
Deduct from opening width	11 (7/16")	13 (1/2")	15 (19/32")	17 (21/32")	19 (3/4")

**Example:** For 21" opening width and a 3/4" thick drawer, 21" minus 7/16" = 20-9/16" drawer width

### Drawer back preparation

#### Rear view



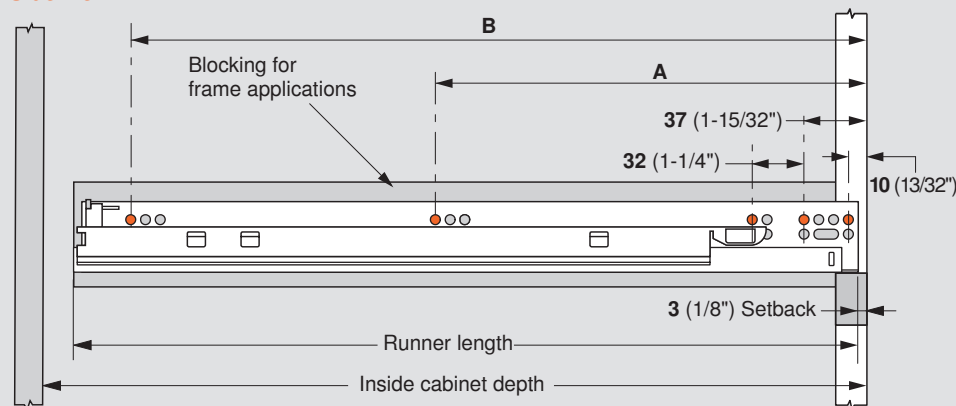
### Runner comparison

#### Side view

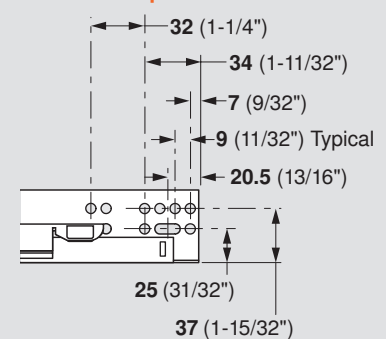


### Runner mounting specifications

#### Side view



#### Runner close-up



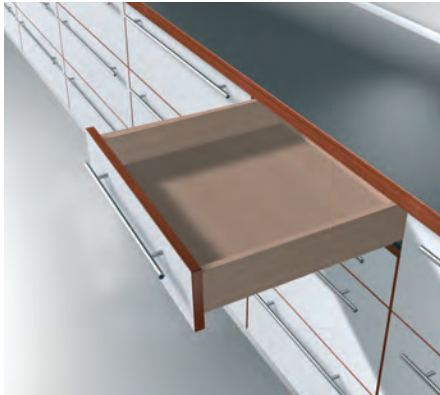
**NOTE:** Elongated holes are for ±4.5 (3/16") depth adjustment only. Additional screws must be used to secure the runner to the cabinet.

**NOTE:** The orange dots indicate fixing screw locations required to meet specified load ratings

TANDEM plus BLUMOTION	Drawer length	Minimum inside cabinet depth	Runner length	Screw locations for frameless cabinets	
				A	B
BL-569A7620B	762 (30")	786 (30-15/16")	777 (30-19/32")	261 (10-9/32")	389 (15-5/16")
BL-569A6860B	686 (27")	709 (27-29/32")	700 (27-9/16")	261 (10-9/32")	389 (15-5/16")
BL-569A6100B	610 (24")	634 (24-31/32")	625 (24-19/32")	261 (10-9/32")	389 (15-5/16")
BL-569F5330B	533 (21")	557 (21-15/16")	548 (21-9/16")	261 (10-9/32")	517 (20-11/32")
BL-569F4570B	457 (18")	480 (18-29/32")	471 (18-17/32")	261 (10-9/32")	453 (17-27/32")



## Application

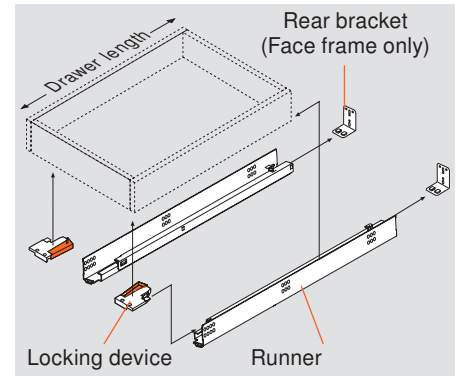


## Description

- 7/8 extension concealed runners
- Face frame or frameless cabinets
- BLUMOTION soft closing
- TANDEM smooth running action
- Available in 9" to 21" lengths
- 13 (1/2") to 16 (5/8") drawer thickness
- Locking devices enable easy drawer insertion and removal
- Dynamic load capacity 75 lb\*
- Static load capacity 100 lb\*

\* Per ANSI/BHMA 156.9 grade 1 standards on a 21" length drawer box

## Basic components



## Components

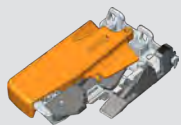
### Runner set

One set required per drawer



For overall cabinet depth	Drawer length	TANDEM edge BLUMOTION
610 (24")	533 (21")	BL-554H5330B01
533 (21")	457 (18")	BL-554H4570B01
457 (18")	381 (15")	BL-554H3810B01
381 (15")	305 (12")	BL-554H3050B01
305 (12")	229 (9")	BL-554H2290B01
Wood screw for installation		BL-707N
System screw for installation		BL-661-1300-HG

### Standard locking device



- One right and one left required per drawer
- Minimum inside drawer width 121 (4-3/4")
- Height adjustment +3 (1/8")

Part no.

Right locking device	BL-T511700 R
Left locking device	BL-T511700 L
Installation screw	BL-612TH

### Screw-on bracket for frame cabinets



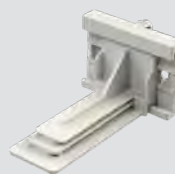
For use when installing TANDEM runners in face frame cabinets. Not necessary for frameless cabinet installation.

- Two required per drawer
- Depth and lateral self-alignment
- Zinc-coated steel
- Non-handed bracket

Part no.

Screw-on bracket	BL-295-3750-02
Installation screw	BL-612TH

### Plug-in socket for frame cabinets



For use when installing TANDEM runners in face frame cabinets. Not necessary for frameless cabinet installation.

- Two required per drawer
- Lateral self-alignment
- Non-handed, two-piece design

Part no.

Plug-in socket	BL-295-6510-21
Installation screw	BL-606P

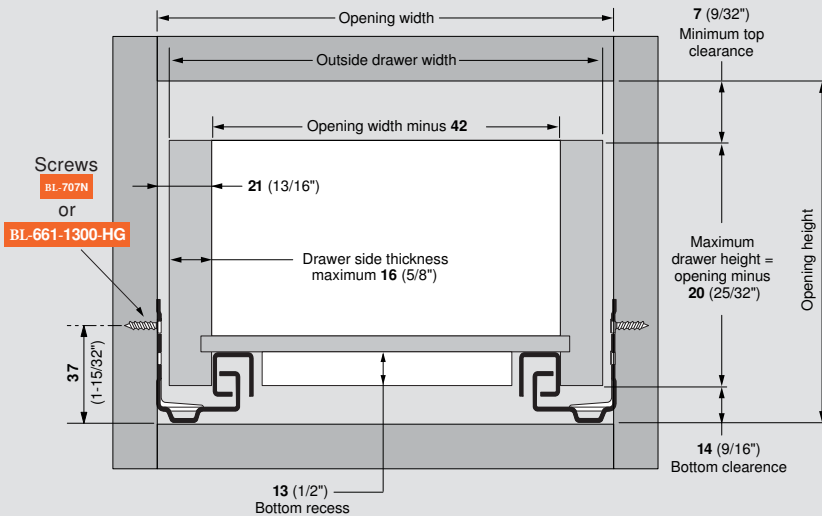
## Drawer and Cabinet Specifications



Extension	7/8	Lengths available	9 - 21"
Maximum drawer thickness	16 (5/8")	Static load capacity (ANSI/BHMA)	100 lb

### Drawer box specifications

#### Front view



**NOTE:** Drawer side material thickness may vary. Accurate measurement of drawer side material thickness should be used when calculating outside drawer width using the table below. Inside drawer width **must** equal opening width minus **42** (1-21/32") for TANDEM to align and function optimally.

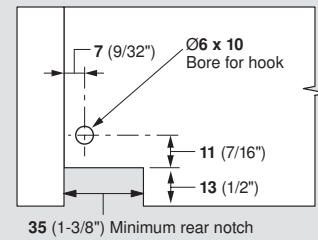
#### Calculating outside drawer width

For drawer side thickness	16 (5/8")	15 (19/32")	14 (9/16")	13 (1/2")	12 (15/32")
Deduct from inside cabinet width	10 (13/32")	12 (15/32")	14 (9/16")	16 (5/8")	18 (23/32")

**Example:** For 21" inside cabinet width and a 5/8" thick drawer, 21" minus 13/32" = 20 - 19/32" drawer width

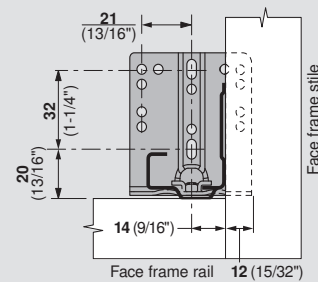
### Drawer back preparation

#### Rear view



### Rear mounting bracket

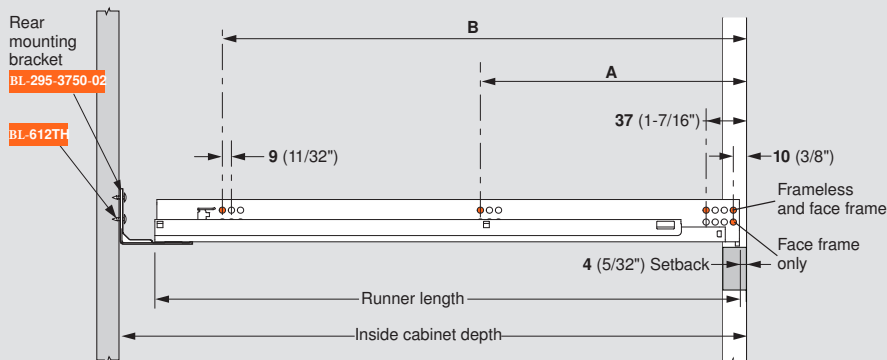
#### Front view



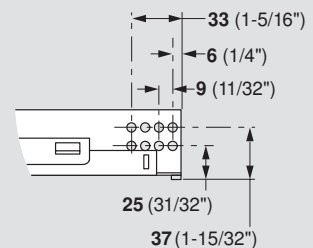
**NOTE:** For frame applications, use a minimum of three screws per bracket

### Runner mounting specifications

#### Side view




#### Runner close-up



**NOTE:** The orange dots indicate fixing screw locations required to meet specified load ratings

TANDEM edge BLUMOTION	Drawer length	Inside cabinet depth with 295.3750.02 bracket		Runner length	Screw locations for frameless cabinets	
		Maximum	Minimum		A	B
BL-554H5330B01	533 (21")	604 (23-3/4")	570 (22-7/16")	560 (22-1/16")	261 (10-9/32")	517 (20-11/32")
BL-554H4570B01	457 (18")	527 (20-3/4")	494 (19-7/16")	484 (19-1/16")	261 (10-9/32")	453 (17-27/32")
BL-554H3810B01	381 (15")	451 (17-3/4")	417 (16-13/32")	407 (16-1/32")	165 (6-1/2")	357 (14-1/16")
BL-554H3050B01	305 (12")	375 (14-3/4")	341 (13-7/16")	331 (13-1/32")	165 (6-1/2")	261 (10-9/32")
BL-554H2290B01	229 (9")	299 (11-3/4")	284 (11-3/16")	274 (10-25/32")	133 (5-1/4")	229 (9")

#### Runner setback when using depth adjustable locking device (T51.1901.PS)

	563/569 H/.		Runner setback			563/569 F/A		Runner setback		
	Sub-front thickness	13 (1/2")	20 (25/32")	23 (29/32")	26 (1-1/32")	Sub-front thickness	13 (1/2")	17 (21/32")	20 (25/32")	23 (29/32")
		16 (5/8")	23 (29/32")	26 (1-1/32")	29 (1-5/32")		16 (5/8")	20 (25/32")	23 (29/32")	26 (1-1/32")
		19 (3/4")	26 (1-1/32")	29 (1-5/32")	32 (1-1/4")		19 (3/4")	23 (29/32")	26 (1-1/32")	29 (1-5/32")
		16 (5/8")	19 (3/4")	22 (7/8")			16 (5/8")	19 (3/4")	22 (7/8")	
		Drawer front thickness					Drawer front thickness			
<ul style="list-style-type: none"> <li>Setbacks in this table recess the face of the drawer front inside of the cabinet 1 (1/32")</li> <li>The depth adjustment can then be used to move the drawer front out to its desired position, 2.5 (3/32") out adjustment only</li> </ul>										

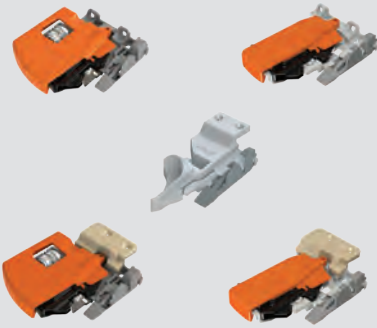
#### Calculating runner setback

563/569 H/. (sub-front thickness + drawer front thickness minus 9 (11/32") = runner setback)

563/569 F/A (sub-front thickness + drawer front thickness minus 12 (15/32") = runner setback)

**NOTE:** For mounting hole position, add 7 (9/32") to runner setback

#### Runner setback when using all other locking devices

	563/569 H/.		Runner setback			563/569 F/A		Runner setback		
	Sub-front thickness	13 (1/2")	17.5 (11/16")	20.5 (13/16")	23.5 (15/16")	Sub-front thickness	13 (1/2")	14.5 (9/16")	17.5 (11/16")	20.5 (13/16")
		16 (5/8")	20.5 (13/16")	23.5 (15/16")	26.5 (1-1/32")		16 (5/8")	17.5 (11/16")	20.5 (13/16")	23.5 (15/16")
		19 (3/4")	23.5 (15/16")	26.5 (1-1/32")	29.5 (1-5/32")		19 (3/4")	20.5 (13/16")	23.5 (15/16")	26.5 (1-1/32")
		16 (5/8")	19 (3/4")	22 (7/8")			16 (5/8")	19 (3/4")	22 (7/8")	
		Drawer front thickness					Drawer front thickness			
<ul style="list-style-type: none"> <li>Setbacks in this table set the face of the drawer front flush with the face of the cabinet</li> <li>If a depth adjustable locking device is needed, please see the locking device and table above</li> </ul>										

#### Calculating runner setback

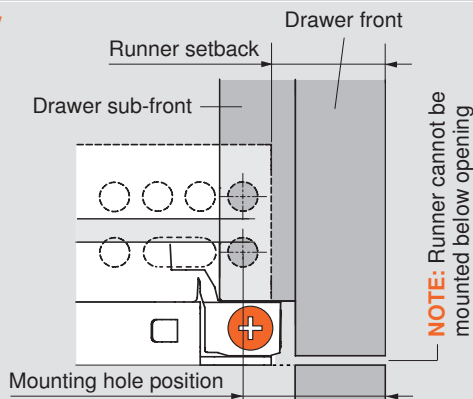
563/569 H/. (sub-front thickness + drawer front thickness minus 11.5 (7/16") = runner setback)

563/569 F/A (sub-front thickness + drawer front thickness minus 14.5 (9/16") = runner setback)

**NOTE:** For mounting hole position, add 7 (9/32") to runner setback

#### Setback information

##### Side view



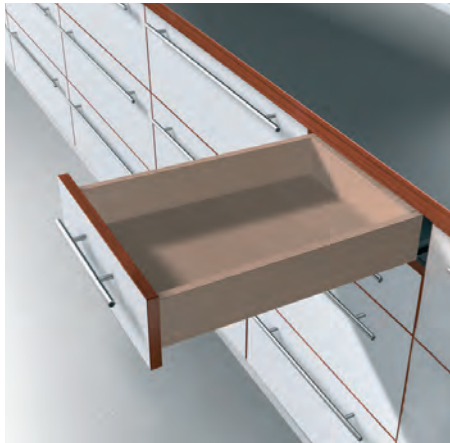
**NOTE:** For mounting hole position add 7 (9/32") to runner setback

Dimensions in millimeters

## Narrow Drawer



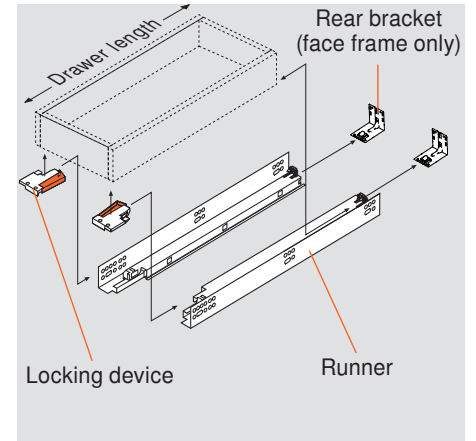
### Application



### Description

- ❑ For inside drawer widths of **95** (3-3/4") to **124** (4-7/8")
- ❑ Special narrow locking device required
- ❑ Maximum dynamic load rating for narrow drawer locking device is 25 lb
- ❑ Minimum **16** (5/8") sub-front thickness

### Basic Components



### Components

#### Runner set

One set required per drawer



Narrow drawer applications are possible with any TANDEM plus BLUMOTION runner. See the installation instructions for the runner used.

#### TANDEM plus BLUMOTION

563. series

563H series

563F series

#### Narrow drawer locking device



- ❑ One right and one left required per drawer
- ❑ For use with narrow drawers
- ❑ Maximum dynamic load capacity 25 lb
- ❑ Self-adjusting drawer length tolerance
- ❑ Vertical mount, two-piece nylon
- ❑ Minimum inside drawer width **95** (3-3/4")
- ❑ Height adjustment **+3** (1/8")
- ❑ Minimum sub-front thickness **16** (5/8")
- ❑ Designed for **13** (1/2") drawer bottom recess
- ❑ For use with 563/569 series runners only

Part no.

Right locking device **BL-T510801-20 R**

Installation Left locking device **BL-T510801-20 L**

Installation screw **BL-606N or BL-606P**

#### Rear mounting bracket for frame cabinets



For use when installing TANDEM runners in face frame cabinets. Not necessary for frameless cabinet installation.

- ❑ Two required per drawer
- ❑ Depth and lateral self-alignment
- ❑ Zinc-coated steel
- ❑ For 9" TANDEM rear attachment options, see page 35

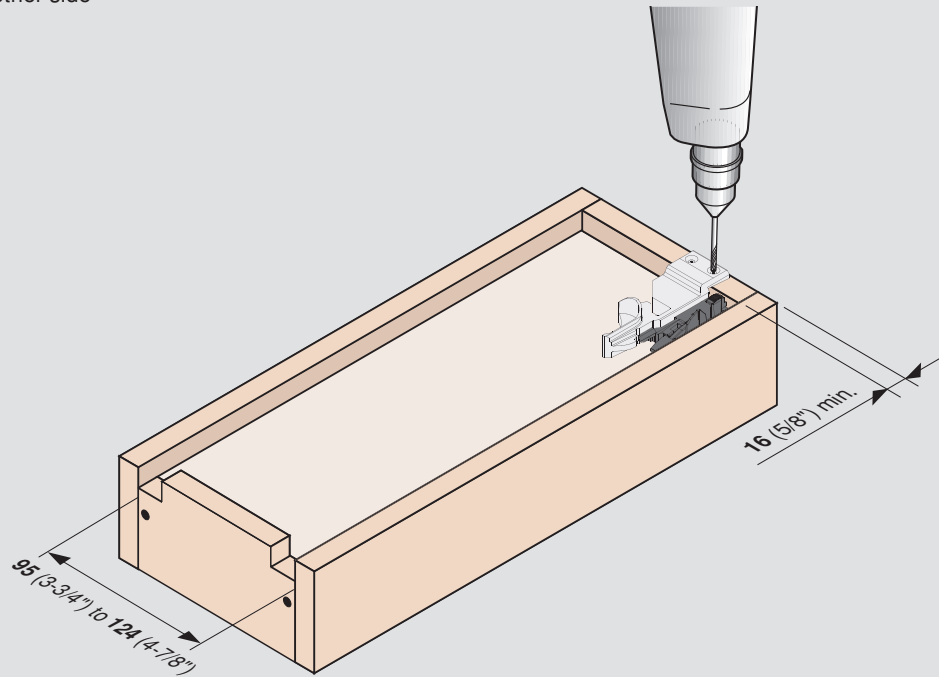
Part no.

Non-handed bracket **BL-295-3750-02**

Installation screw **BL-606N or BL-606P**

## Attach locking devices

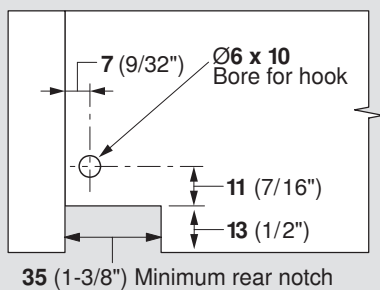
- 1 Position locking device in front corner of the drawer
- 2 Pre-bore locking device mounting screw holes with  $\varnothing 2.5$  mm piloting bit
- 3 Attach with two 606N or 606P screws
- 4 Repeat on the other side



**NOTE:** A minimum of 16 (5/8") sub-front thickness is required for mounting the narrow drawer locking device

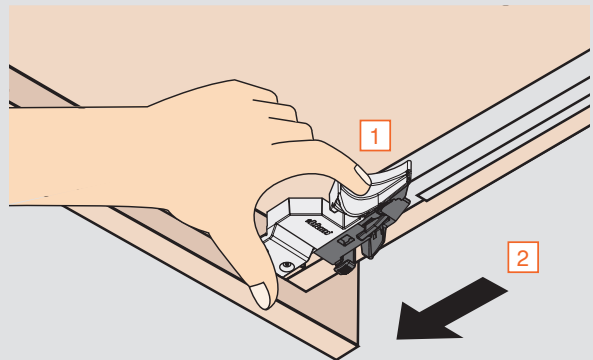
## Drawer back preparation

### Rear view



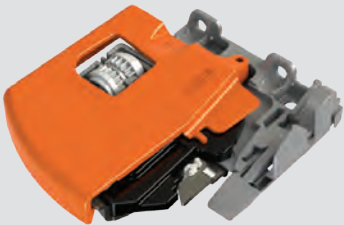
## Drawer removal

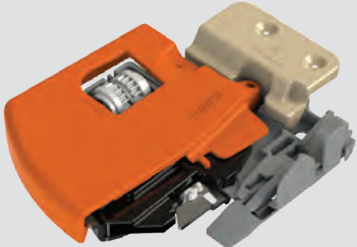
- 1 Squeeze release levers on locking devices
- 2 Pull drawer straight out and up




Dimensions in millimeters

With Side-to-Side Adjustment

Standard							
 <p>One right and one left required per drawer</p>	<ul style="list-style-type: none"> <li>☒ Captive right device and self-aligning left device</li> <li>☒ Self-adjusting drawer length tolerance</li> <li>☒ Steel base with synthetic, spring-loaded release levers</li> <li>☒ Minimum inside drawer width <b>170</b> (6-11/16")</li> <li>☒ Height adjustment <b>+3</b> (1/8")</li> <li>☒ Side-to-side adjustment <b>±1.5</b> (1/16")</li> </ul>						
	Part no.						
	<table border="1" style="width: 100%;"> <tr> <td style="width: 80%;">Right locking device</td> <td style="background-color: #f4a460;">BL-T511901 R</td> </tr> <tr> <td>Left locking device</td> <td style="background-color: #f4a460;">BL-T511901 L</td> </tr> <tr> <td>Installation screw</td> <td style="background-color: #f4a460;">BL-606N or BL-606P</td> </tr> </table>	Right locking device	BL-T511901 R	Left locking device	BL-T511901 L	Installation screw	BL-606N or BL-606P
Right locking device	BL-T511901 R						
Left locking device	BL-T511901 L						
Installation screw	BL-606N or BL-606P						

Vertical mount							
 <p>One right and one left required per drawer</p>	<ul style="list-style-type: none"> <li>☒ Vertical mount locking device used to minimize sub-front splitting</li> <li>☒ Captive right device and self-aligning left device</li> <li>☒ Self-adjusting drawer length tolerance</li> <li>☒ Steel base with synthetic, spring-loaded release levers</li> <li>☒ Minimum inside drawer width <b>170</b> (6-11/16")</li> <li>☒ Height adjustment <b>+3</b> (1/8")</li> <li>☒ Side-to-side adjustment <b>±1.5</b> (1/16")</li> <li>☒ Minimum sub-front thickness <b>16</b> (5/8")</li> <li>☒ Designed for <b>13</b> (1/2") drawer bottom recess</li> </ul>						
	Part no.						
	<table border="1" style="width: 100%;"> <tr> <td style="width: 80%;">Right locking device</td> <td style="background-color: #f4a460;">BL-T511901-20 R</td> </tr> <tr> <td>Left locking device</td> <td style="background-color: #f4a460;">BL-T511901-20 L</td> </tr> <tr> <td>Installation screw</td> <td style="background-color: #f4a460;">BL-606N or BL-606P</td> </tr> </table>	Right locking device	BL-T511901-20 R	Left locking device	BL-T511901-20 L	Installation screw	BL-606N or BL-606P
Right locking device	BL-T511901-20 R						
Left locking device	BL-T511901-20 L						
Installation screw	BL-606N or BL-606P						

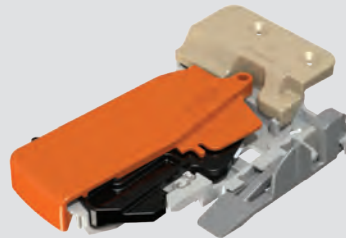
Depth adjustable							
 <p>One right and one left required per drawer</p>	<ul style="list-style-type: none"> <li>☒ Captive right device and self-aligning left device</li> <li>☒ Self-adjusting drawer length tolerance</li> <li>☒ Steel base with synthetic, spring-loaded release levers</li> <li>☒ Minimum inside drawer width <b>170</b> (6-11/16")</li> <li>☒ Height adjustment <b>+3</b> (1/8")</li> <li>☒ Side-to-side adjustment <b>±1.5</b> (1/16")</li> <li>☒ Depth adjustment <b>+2.5</b> (3/32"), preset at <b>0</b></li> <li>☒ Minimum sub-front thickness <b>13</b> (1/2")</li> <li>☒ Designed for <b>13</b> (1/2") drawer bottom recess</li> <li>☒ Integrated <b>3</b> (1/8") distance bumper for inset or overlay SERVO-DRIVE applications</li> </ul>						
	Part no.						
	<table border="1" style="width: 100%;"> <tr> <td style="width: 80%;">Right locking device</td> <td style="background-color: #f4a460;">BL-T511901-PS R</td> </tr> <tr> <td>Left locking device</td> <td style="background-color: #f4a460;">BL-T511901-PS L</td> </tr> <tr> <td>Installation screw</td> <td style="background-color: #f4a460;">BL-606N or BL-606P</td> </tr> </table>	Right locking device	BL-T511901-PS R	Left locking device	BL-T511901-PS L	Installation screw	BL-606N or BL-606P
Right locking device	BL-T511901-PS R						
Left locking device	BL-T511901-PS L						
Installation screw	BL-606N or BL-606P						

**Without Side-to-Side Adjustment**
**Standard**
**One right and one left required per drawer**


- ✘ For use with standard applications
- ✘ Captive right device and self-aligning left device
- ✘ Self-adjusting drawer length tolerance
- ✘ Zinc die-cast with synthetic, spring-loaded release levers
- ✘ Minimum inside drawer width **124** (4-7/8")
- ✘ Height adjustment **+3** (1/8")

Part no.

Right locking device	<b>BL-T511801 R</b>
Left locking device	<b>BL-T511801 L</b>
Installation screw	<b>BL-606N or BL-606P</b>

**Vertical mount**
**One right and one left required per drawer**


- ✘ Vertical mount locking device used to minimize sub-front splitting
- ✘ Captive right device and self-aligning left device
- ✘ Self-adjusting drawer length tolerance
- ✘ Zinc die-cast with synthetic, spring-loaded release levers
- ✘ Minimum inside drawer width **124** (4-7/8")
- ✘ Height adjustment **+3** (1/8")
- ✘ Minimum sub-front thickness **16** (5/8")
- ✘ Designed for **13** (1/2") drawer bottom recess

Part no.

Right locking device	<b>BL-T511801-20 R</b>
Left locking device	<b>BL-T511801-20 L</b>
Installation screw	<b>BL-606N or BL-606P</b>

**Narrow drawer**
**One right and one left required per drawer**


- ✘ For use with narrow drawers
- ✘ Maximum dynamic load capacity 25 lb
- ✘ Captive right device and self-aligning left device
- ✘ Self-adjusting drawer length tolerance
- ✘ Vertical mount, two-piece nylon
- ✘ Minimum inside drawer width **95** (3-3/4")
- ✘ Height adjustment **+3** (1/8")
- ✘ Minimum sub-front thickness **16** (5/8")
- ✘ Designed for **13** (1/2") drawer bottom recess

Part no.

Right locking device	<b>BL-T510801-20 R</b>
Left locking device	<b>BL-T510801-20 L</b>
Installation screw	<b>BL-606N or BL-606P</b>

Dimensions in millimeters

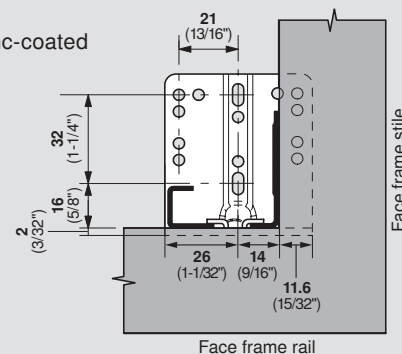
## Rear Attachment Options

### Screw-on bracket

#### Two required per drawer



- ☒ For TANDEM 552, 562 and 563 H/F series runners only
- ☒ Lateral self-alignment **3** (1/8")
- ☒ Non-handed, one-piece stamped steel design, zinc-coated
- ☒ Use at least three #6 wood screws
- ☒ Not for use with 9" runners



Part no.

Screw-on bracket

**BL-295-3750-02**

**NOTE:** Illustration is for 562/563 series

Installation screw

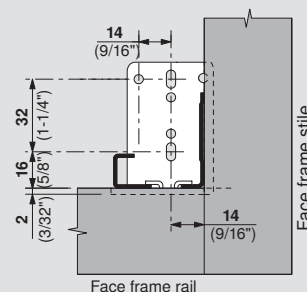
**BL-606N or BL-606P**

### Narrow screw-on bracket

#### Two required per drawer



- ☒ For TANDEM 552, 562 and 563 H/F series runners only
- ☒ For applications with side recess space limitations (end panel)
- ☒ Maximum dynamic load capacity 45 lb
- ☒ Lateral self-alignment **3** (1/8")
- ☒ Non-handed, one-piece stamped steel design, zinc-coated
- ☒ Maximum inside cabinet depth is **15** (19/32") less than 295.3750.02 allows
- ☒ Use at least three #6 wood screws
- ☒ Not for use with 9" runners



Part no.

Screw-on bracket

**BL-295-3550-01**

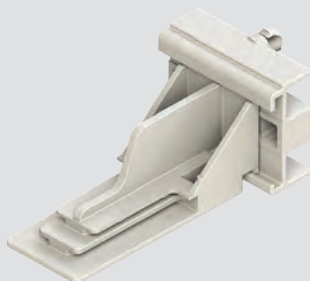
**NOTE:** Illustration is for 562/563 series

Installation screw

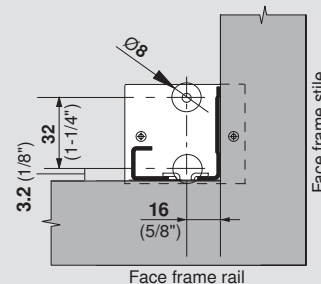
**BL-606N or BL-606P**

### Plug-in socket

#### Two required per drawer



- ☒ For TANDEM 552, 562 and 563 H/F series runners only
- ☒ Lateral self-alignment feature
- ☒ Non-handed, two-piece design
- ☒ Synthetic, natural color
- ☒ Non-detachable **8** (5/16") dowels, **9.5** (3/8") long
- ☒ **6** (1/4") minimum back panel thickness
- ☒ Use at least two #6 flat head wood screws
- ☒ Not for use with 9" runners



Part no.

Plug-in socket

**BL-295-6410**

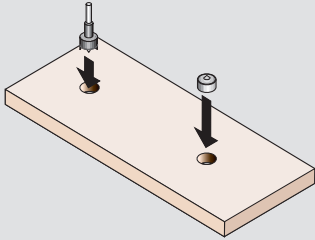
Installation screw

**BL-606N or BL-606P**

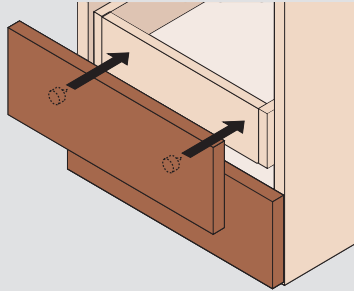


### Using the marking gauge

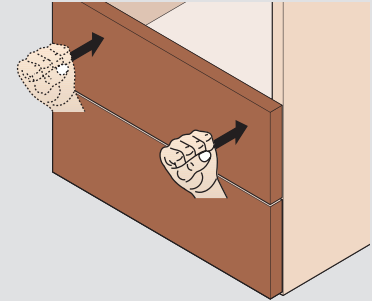
**1** Pre-bore for front adjusters and then insert marking gauges into drawer front



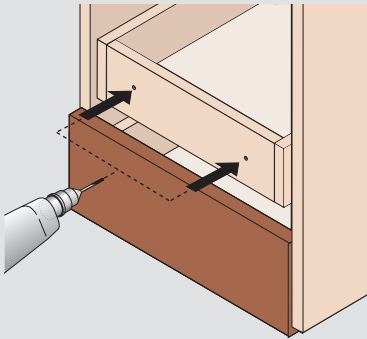
**2** Align the drawer front to make marks in the drawer box



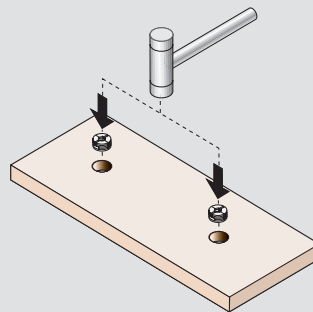
**3** Align the drawer front and give a light tap to make marks in the drawer box



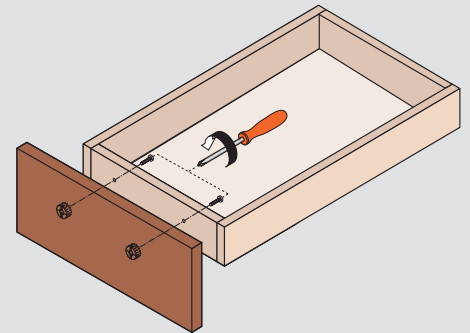
**4** Bore  $\text{\O}5$  (3/16") holes through the drawer box



**5** Remove marking gauges and insert drawer front adjusters manually or with a MINIPRESS insertion ram

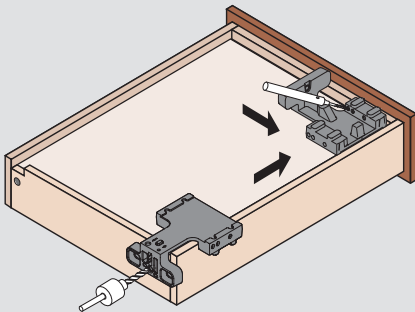


**6** Install and adjust drawer front



### TANDEM template

- ✘ Essential tool for drawers using any series TANDEM runners
- ✘ To bore the  $\text{\O}6$  holes for rear hooks
- ✘ Pre-bore  $\text{\O}2.5$  hole for TANDEM locking devices at the required angle



Part no.

TANDEM template **BL-T65-1600-01**

**Accessories** (order separately)

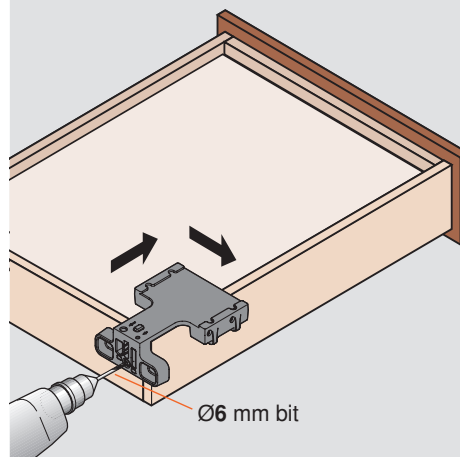
$\text{\O}2.5$  mm drill bit **BL-DB-2-5mm**

$\text{\O}6$  mm drill bit **BL-DB-6mm**

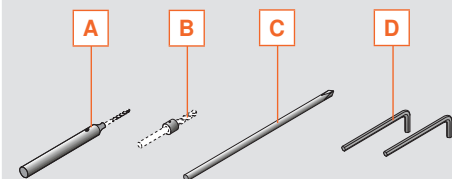
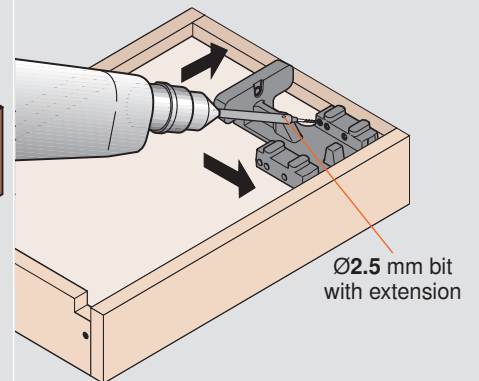
Tool set **BL-T65-9000**

### Using the TANDEM template

**1** Bore rear fixing holes



**2** Pre-bore holes for locking device screws



#### Tool set includes:

**A**  $\text{\O}2.5$  mm drill bit extension

**B**  $\text{\O}6$  mm stop collar

**C** #2 Phillips screwdriver tip

**D** Allen wrenches

**NOTE:** Items NOT sold separately

# 8400 Full Extension Box or File Drawer Slide

75–120 lbs. | Medium-Duty Drawer Slides

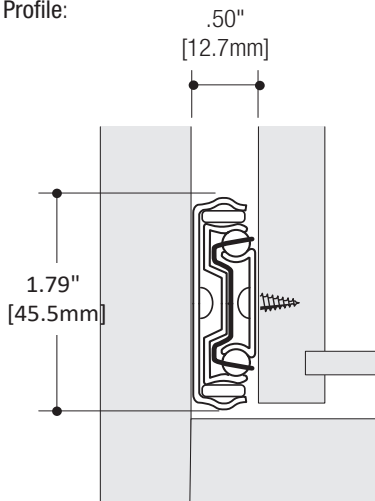


## Features

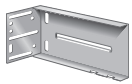
- 32mm hole pattern with direct access mounting
- Lever disconnect for easy drawer removal
- Non-handed design
- Recommended maximum drawer width 24"

**Mounting:** Side  
**Action:** Telescopic movement on ball-bearings  
**Load Rating:** 100 lb. class  
**Height:** 1.79" [45.5mm]  
**Clearance:** .50" + .03" - 0" on each side  
**Finish:** Anochrome (ANO), Ebony Black (EB), White (WH)

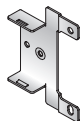
**Profile:**



## Mounting Brackets



KV-8403BBL



KV-8404B-KIT

Product	Front or Rear	Finish
KV-8403BBL	Rear	Zinc (ZC)
KV-8404B-KIT	Rear	Zinc (ZC)

## Configurations

10 pairs per carton without screws

### 8400 Anochrome (ANO) Finish

Size	Part Number Bulk
8"	KV-8400B-8
10"	KV-8400B-10
12"	KV-8400B-12
14"	KV-8400B-14
16"	KV-8400B-16
18"	KV-8400B-18
20"	KV-8400B-20
22"	KV-8400B-22
24"	KV-8400B-24
26"	KV8400B-26
28"	KV-8400-28

### 8400 Ebony Black (EB) Finish

8"	KV-8400B-EB-8
10"	KV-8400B-EB-10
12"	KV-8400B-EB-12
14"	KV-8400B-EB-14
16"	KV-8400B-EB-16
18"	KV-8400B-EB-18
20"	KV-8400B-EB-20
22"	KV-8400B-EB-22
24"	KV-8400B-EB-24
26"	KV-8400B-EB-26
28"	KV-8400B-EB-28

### 8400 White (WH) Finish

8"	KV-8400B-WH-8
10"	KV-8400B-WH-10
12"	KV-8400B-WH-12
14"	KV-8400B-WH-14
16"	KV-8400B-WH-16
18"	KV-8400B-WH-18
20"	KV-8400B-WH-20
22"	KV-8400B-WH-22
24"	KV-8400B-WH-24
26"	KV-8400B-WH-26
28"	KV-8400B-WH-28



KNAPE & VOGT

# 8450FM Soft-Close Drawer Slide



## Features

- Patented Force Management™ (FM) soft-close technology
- 32mm hole pattern with direct access mounting
- Lever disconnect for easy drawer removal
- Non-handed design
- Recommended maximum drawer width 24"

8450FM: Full extension

8455FM: 1" Over travel

Action: Telescopic movement on ball-bearings

Load Rating: 8450FM: 100 lb. class

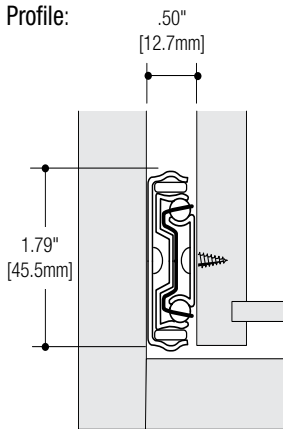
8455FM: 90 lb. class

Height: 1.79" [45.5mm]

Clearance: .50" + .03" - 0" on each side

Finish: Anochrome (ANO), Ebony Black (EB)

Profile:



Soft-Close Mechanism

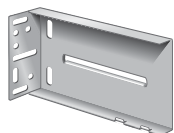
## Configurations

Bulk (B)	10 pairs per carton without screws			
Poly (P)	1 pair per bag with screws; 10 pairs per carton			
<b>8450FM Anochrome (ANO) Finish</b>				
<b>Size</b>	<b>Bulk (B)</b>	<b>Poly (P)</b>		
12"	KV-8450FMB-12	KV-8450FMP-12		
14"	KV-8450FMB-14	KV-8450FMP-14		
16"	KV-8450FMB-16	KV-8450FMP-16		
18"	KV-8450FMB-18	KV-8450FMP-18		
20"	KV-8450FMB-20	KV-8450FMP-20		
22"	KV-8450FMB-22	KV-8450FMP-22		
24"	KV-8450FMB-24	KV-8450FMP-24		
26"	KV-8450FMB-26	KV-8450FMP-26		
28"	KV-8450FMB-28	KV-8450FMP-28		
<b>8450FM Ebony Black (EB) Finish</b>				
12"	KV-8450FMB-EB-12	-		
14"	KV-8450FMB-EB-14	-		
16"	KV-8450FMB-EB-16	-		
18"	KV-8450FMB-EB-18	-		
20"	KV-8450FMB-EB-20	-		
22"	KV-8450FMB-EB-22	-		
24"	KV-8450FMB-EB-24	-		
26"	KV-8450FMB-EB-26	-		
28"	KV-8450FMB-EB-28	-		
<b>Recommended Fasteners</b>		<b>KV Part</b>	<b>Finish</b>	<b>Qty</b>
	#7 x 1/2" Phillips Pan Head	KV-8500-93	Zinc (ZC)	1000
		KV-8500-93-EB	Ebony Black (EB)	1000

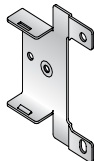
Less than Full Extension: 12" = 10.2" Extension

Non-stock item – minimum order quantities and additional lead time may apply.

## Mounting Brackets



8403

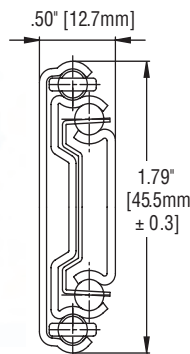


8404

Product	Front or Rear	Finish	Pack
KV-8403	Rear	Zinc (ZC)	20 brackets/carton
KV-8403BBL	Rear	Zinc (ZC)	400 brackets/carton
KV-8404	Front	Zinc (ZC)	20 brackets/carton
KV-8404B	Front	Zinc (ZC)	400 brackets/carton
KV-8404-EB	Front	Ebony Black (EB)	20 brackets/carton
KV-8404BBL	Front	Zinc (ZC)	400 brackets/carton
KV-8404B-KIT	Both	Zinc (ZC)	2 [8403] + 2 [8404] + screws

## GSlide® KV-GS4200 Full Extension Drawer Slide

75–120 lbs. | Medium-Duty Drawer Slides



### Features

- 32mm hole pattern
- Lever disconnect for easy drawer removal
- Hold-in detent
- Non-handed design
- Recommended maximum drawer width 24"

Mounting: Side

Action: Telescopic movement on ball-bearings

Load Rating: 100 lb. class

Height: 1.79" [45.5mm]

Clearance: .50" + .03" - 0" on each side

Finish: Zinc (ZC), Black (EB)

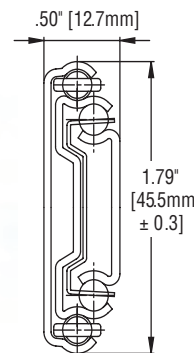
### KV-GS4200 Zinc (ZC) Finish

Bulk (B) 10 Pair and 1 set of instructions per box without screws

Size	Part Number
250mm	KV-GS4200 10
300mm	KV-GS4200 12
350mm	KV-GS4200 14
400mm	KV-GS4200 16
450mm	KV-GS4200 18
500mm	KV-GS4200 20
550mm	KV-GS4200 22
600mm	KV-GS4200 24
650mm	KV-GS4200 26
700mm	KV-GS4200 28

## GSlide® KV-GS4260 Push-Open Drawer Slide

75–120 lbs. | Medium-Duty Drawer Slides



### Features

- Push-open feature holds a drawer or tray in the closed position until activated by a slight push
- 32mm hole pattern
- Lever disconnect for easy drawer removal
- Non-handed design
- Recommended maximum drawer width 24"

Mounting: Side

Action: Telescopic movement on ball-bearings

Load Rating: 100 lb. class

Height: 1.79" [45.5mm]

Clearance: .50" + .03" - 0" on each side

Finish: Zinc (ZC)

### KV-GS4260 Zinc (ZC) Finish

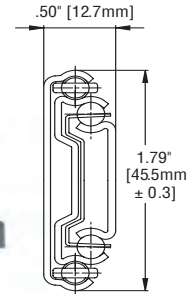
Bulk (B) 10 Pair and 1 set of instructions per box without screws

Size	Part Number
400mm	KV-GS4260 16
450mm	KV-GS4260 18
500mm	KV-GS4260 20
550mm	KV-GS4260 22



## GSlide® KV-GS4270 Soft-Close Drawer Slide

75–120 lbs. | Medium-Duty Drawer Slides



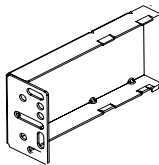
### Features

- Soft-close module
  - 32mm hole pattern
  - Lever disconnect for easy drawer removal
  - Non-handed design
  - Recommended maximum drawer width 24"
- Mounting: Side  
Action: Telescopic movement on ball-bearings  
Load Rating: 100 lb. class  
Height: 1.79" [45.5mm]  
Clearance: .50" + .03" - 0" on each side  
Finish: Zinc (ZC)

### KV-GS4270 Zinc (ZC) Finish

**Bulk (B)** 10 Pair and 1 set of instructions per box without screws

Size	Part Number	Bulk(B)
350mm	KV-GS4270 14	
350mm	KV-GS4270 14	
400mm	KV-GS4270 16	
450mm	KV-GS4270 18	
500mm	KV-GS4270 20	
550mm	KV-GS4270 22	
600mm	KV-GS4270 24	
700mm	KV-GS4270 28	

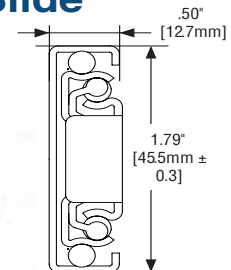


### Rear Mounting Brackets

Part Number	Finish
KV-GS4340 RB	Zinc (ZC)

## DuriSlide™ 4500 Ball-Bearing Drawer Slide

75–120 lbs. | Medium-Duty Drawer Slides



### Features

- 32mm and traditional hole pattern
- Lever disconnect for easy drawer removal
- Non-handed design
- Recommended maximum drawer width 24"

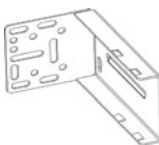
Mounting: Side  
Action: Telescopic movement on ball-bearings  
Load Rating: 100 lb. class  
Height: 1.79" [45.5mm]  
Clearance: .50" + .03" - 0" on each side  
Finish: Zinc (ZC)

**Bulk (B)** 10 pairs per carton without screws  
**Quantity (Q)** 20 cabinet members per carton, 100 drawer members per carton

### 4500 Zinc (ZC) Finish

Size	Part Number	Bulk(B)	Part Number	Quantity(Q)*
250mm	KV-DUR45B 250			
300mm	KV-DUR45B 300			
350mm	KV-DUR45B 350			
400mm	KV-DUR45B 400			
450mm	KV-DUR45B 450			
500mm	KV-DUR45B 500		KV-DUR45Q 500	
550mm	KV-DUR45B 550		KV-DUR45Q 550	
600mm	KV-DUR45B 600			
650mm	KV-DUR45B 650			
700mm	KV-DUR45B 700			

### Rear Mounting Brackets

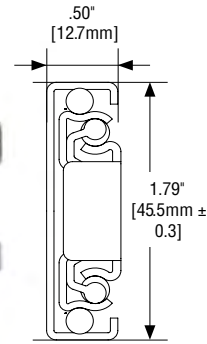


KV-TT401

Part Number	Finish
KV-TT401	Zinc (ZC)

# Tru-Trac® TT100 Full Extension Ball-Bearing Drawer Slide

75–120 lbs. | Medium-Duty Drawer Slides



## Features

- For face framed and frameless construction
- 32mm and traditional hole pattern
- Lever disconnect for easy drawer removal
- Non-handed design
- Recommended maximum drawer width 24"

Mounting: Side

Action: Telescopic movement on ball-bearings

Load Rating: 100 lb. class

Height: 1.79" [45.5mm]

Clearance: .50" + .03" - 0" on each side

Finish: Zinc (ZC)

## TT100 Zinc (ZC) Finish

Bulk (B) 10 pairs per carton without screws

250mm KV-TT100B 250

300mm KV-TT100B 300

350mm KV-TT100B 350

400mm KV-TT100B 400

450mm KV-TT100B 450

500mm KV-TT100B 500

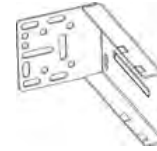
550mm KV-TT100B 550

600mm KV-TT100B 600

650mm KV-TT100B 650

700mm KV-TT100B 700

## Mounting Brackets



KV-TT401

**Product**  
KV-TT401  
KV-TT401B

**Front or Rear**  
Rear  
Rear

**Finish**  
Zinc (ZC)  
Zinc (ZC)

# KV GSlide® GS2070 Full Extension Undermount Drawer Slide

Undermount Drawer Slides | 75–120 lbs.



## Configurations

## Features

- For use with drawer material thickness from 1/2" to 5/8"
- 32mm hole pattern matches existing industry standards
- Full extension travel

Mounting: Undermount

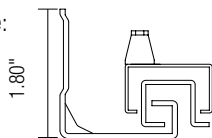
Action: Telescopic action

Load Rating: 75 lb. class

Height: 1.80" [45.7mm]

Finish: Zinc (ZC)

Profile:



Bulk (B)	6 pairs per carton without screws
<b>2070 Zinc (ZC) Finish</b>	
<b>Size</b>	<b>Bulk (B)</b>
9"	KV-GS2070B-9
12"	KV-GS2070B-12
15"	KV-GS2070B-15
18"	KV-GS2070B-18
21"	KV-GS2070B-21

## Release Levers

KV-2070-2D-RL



## Release Lever Adjustment

Part Number	Height	Side-to-Side	Carton Quantity
KV-2070-2D-RL	+ 1/8" [3mm]	± 1/16" [1.5mm]	30

## Mounting Brackets



**KV-2070-RBM Metal Rear Mounting Bracket**  
All Lengths



**KV-2070-RBP Plastic Rear Mounting Bracket**  
All Lengths



KNAPE & VOGT

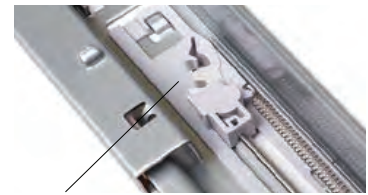
# MuV+

The next evolution in concealed slide technology is here with the redesign of our MuV Undermount drawer slide, the premier choice of cabinet makers. MuV+ and MuV+HD raise the bar for undermount function with a soft-close action that is quieter than ever, smooth operation that is unmatched in the industry and more flexible with added adjustment features preferred by cabinet makers everywhere.



### NEW soft-close is quieter than ever

A redesign of the pivoting closure on the patented soft-close module gives MuV+ its super-quiet close. KV engineers used a cushioning polymer that significantly dampens sound. As innovative as ever, the fully integrated patented soft-close mechanism glides the drawer to a smooth close with no rebound. The result? A soft-close that is almost beyond quiet.

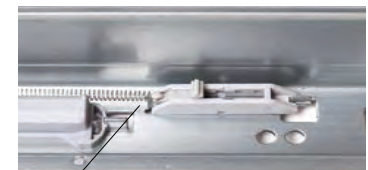


Pivoting closure features cushioning polymer for quieter operation

Hydraulic cylinder eliminates drawer rebound

### NEW soft-close is adjustable

Now the MuV+ soft-close module features an innovative, integrated adjustable closure. This can be used to adjust pull-force if needed to maintain the distinctively smooth open-and-close operation. (18" and longer models)



Adjust pull-force if needed to maintain smooth operation

### NEW adjustability = flexibility

Three release levers offer tool-free, optimal fine-tuning of your drawer installation:

- **Good:** 1D release lever gives you up/down height adjustment
  - **Better:** 2D release lever offers height and side-to-side adjustment
  - **Best:** 3D release lever offers height, side-to-side and inset adjustment
- Optional inset adjuster can be added for inset adjustment

Plus: New rear adjustment module allows additional side-to-side fine tuning.

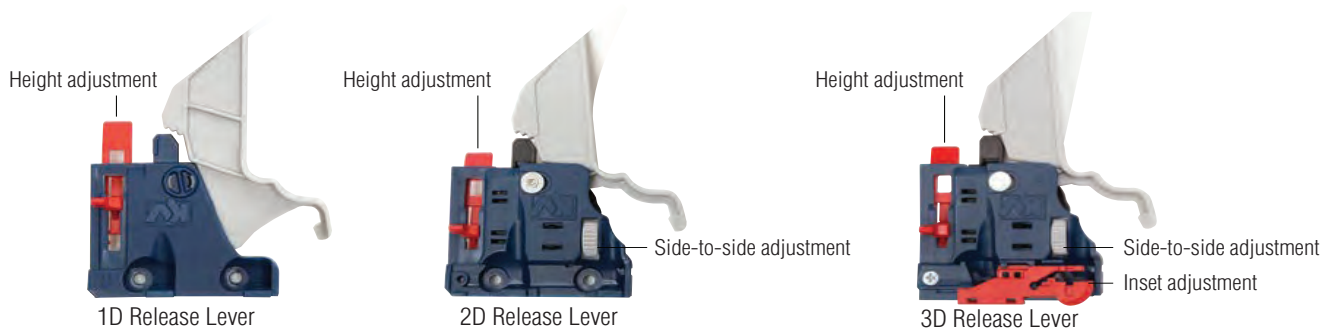
The new front release levers are sold separately, giving you the flexibility and additional choice in adjustment capability that's expected in fine residential or commercial cabinetry construction.



Cassette rollers

### Drawer fronts stay aligned and true

For inset drawers, MuV+ release levers with three levels of adjustment allow for perfect drawer alignment every time. Integrated cassette rollers help to stabilize content load and eliminate sag when the drawer is in the closed position



Name	Load Rating	Travel	Finish	Warranty
MuV+	75 lb Class	Full Extension	Galvanized	Limited Lifetime
MuV+34	75 lb Class	Full Extension	Galvanized	Limited Lifetime
MuV+HD	120 lb Class	Full Extension	Galvanized	Limited Lifetime
MuV+34HD	120 lb Class	Full Extension	Galvanized	Limited Lifetime

#### Performance Standards

All MuV+ Undermount slides meet or exceed performance standards as established by BIFMA, BHMA, and KCMA.

#### Packaging

##### Slides

MuV+ 6 pair per carton (14"+)  
and MuV+34 4 pair per carton (9", 10", 12")

MuV+HD 4 pair per carton  
and MuV+34HD

##### Releases(sold separately)

MuV1D-RL 1 pair per bag. 60 bags per carton

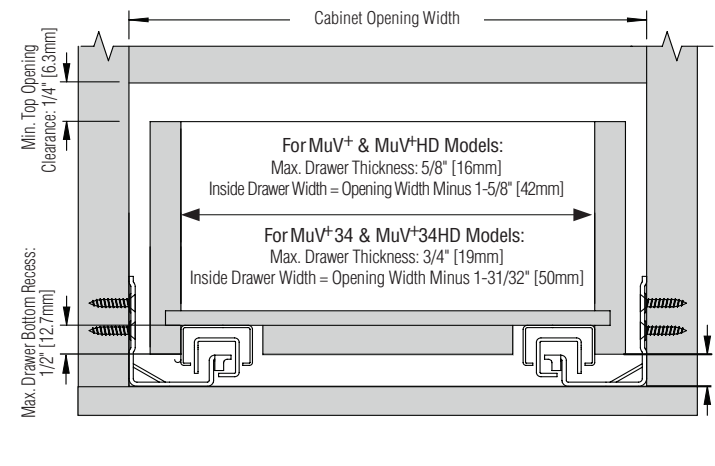
MuV2D-RL 1 pair per bag. 24 bags per carton

MuV3D-RL 1 pair per bag. 12 bags per carton

MuVRL Inset 1 pair per bag. 12 bags per carton

## Drawer Dimensions

For Face-Frame and Frameless Applications



## Part Numbers

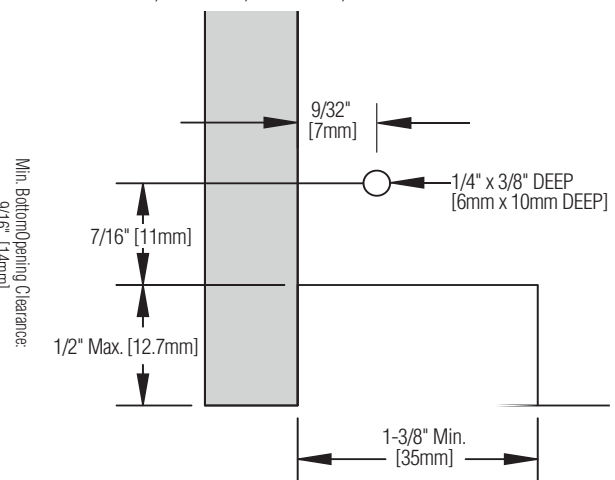
Drawer Length	75 lb Class		120 lb Class	
	MuV+	MuV+34	MuV+HD	MuV+34HD
9"	KV-MUVAB 9	KV-MUV34AB 9	—	—
10"	KV-MUVAB 10	KV-MUV34AB 10	—	—
12"	KV-MUVAB 12	KV-MUV34AB 12	—	—
14"	KV-MUVAB 14	KV-MUV34AB 14	—	—
15"	KV-MUVAB 15	KV-MUV34AB 15	—	—
16"	KV-MUVAB 16	KV-MUV34AB 16	—	—
18"	KV-MUVAB 18	KV-MUV34AB 18	KV-MUVHDAB 18	KV-MUV34HDAB 18
20"	KV-MUVAB 20	KV-MUV34AB 20	KV-MUVHDAB 20	KV-MUV34HDAB 20
21"	KV-MUVAB 21	KV-MUV34AB 21	KV-MUVHDAB 21	KV-MUV34HDAB 21
22"	KV-MUVAB 22	KV-MUV34AB 22	KV-MUVHDAB 22	KV-MUV34HDAB 22
24"	—	—	KV-MUVHDAB 24	KV-MUV34HDAB 24
27"	—	—	KV-MUVHDAB 27	KV-MUV34HDAB 27
30"	—	—	KV-MUVHDAB 30	KV-MUV34HDAB 30

## Release Lever Adjustment

Part Number	Height	Side-to-Side	In/Out
KV-MUV1D-RL	+ 1/8" [3mm]	—	—
KV-MUV2D-RL	+ 1/8" [3mm]	± 1/16" [1.5mm]	—
KV-MUV3D-RL	+ 1/8" [3mm]	± 1/16" [1.5mm]	+ 3/32" [2.5mm]

## Drawer Notch & Bore

MuV+, MuV+34, MuV+HD, MuV+34HD



## Drawer Width Calculator

Drawer Thickness	Deduct from Opening Width	
	MuV+ & MuV+HD	MuV+34 & MuV+34HD
3/4" [19mm]	—	15/32" [12mm]
11/16" [17.5mm]	—	19/32" [15mm]
5/8" [16mm]	3/8" [10mm]	23/32" [18mm]
9/16" [14mm]	9/16" [14mm]	—
1/2" [13mm]	5/8" [16mm]	—

## Accessories



Part Number  
KV-MUV-RBM  
Rear Mounting Bracket  
(Metal)  
For 14"+ sizes  
Carton Qty: 12



Part Number  
KV-MUV-RBP-L  
KV-MUV-RBP-R  
Rear Mounting Bracket  
(Plastic)  
For 9"/10"/12" sizes  
Carton Qty: 8 (4 right hand;  
4 left hand)

Part Number  
KV-124  
Slide Drill Jig  
Works with all MuV+  
Undermount slides  
Carton Qty: 1



Note: MuV+HD and MuV+34HD Face-Frame applications must be blocked out.





KNAPE & VOGT

# 82™/182™ Series Heavy-Duty Standard & Bracket System

## Heavy-Duty Adjustable Shelving Systems

### 82 Series Standards

Dimensions: 1-1/16" wide x 11/16" deep x selected length  
Material: 14 gauge steel  
Finish: Almond (ALM), Black (BLK), Titanium (TI), White (WH)

Standard 10 standards per carton with UPC labels  
Builders Pack (BP) 10 standards per carton, no UPC labels

### 82 Series Standards Standard Pack

Size	Almond (ALM)	Black (BLK)	Titanium (TI)
28"	-	-	KV-82-TI-28
48"	KV-82-ALM-48	KV-82-BLK-48	-
78"	-	-	KV-82-TI-78

### 82 Series Standards Builders Pack (BP)

Size	White (WH)
28"	KV-82BP-WH-28
39"	KV-82BP-WH-39
48"	KV-82BP-WH-48
63"	KV-82BP-WH-63
78"	KV-82BP-WH-78
94"	KV-82BP-WH-94

- Double slot design
- 1-1/4" vertical slot adjustability
- BHMA Grade 2 Compliant
- Limited lifetime warranty

Origin: Made in the USA

Features: Strength enhancing ribs; countersunk screw holes; embossed "up" and arrow to show correct orientation; center aligned slots and screw holes; precision cut lengths



### 182DP LCTR/JNR Shelf Locator Joiner

Finish: Clear plastic (CL)  
Packed: 20 bags per carton (4 joiners + 8 screws per bag)

### 182DP LOCK Bracket Lock

Finish: Black rubber (BLK)  
Packed: 20 bags per carton (6 locks per bag)



### 182 Series Brackets

Material: 16 gauge steel  
Finish: Almond (ALM), Black (BLK), Titanium (TI), White (WH)  
Features: Holds up to 450 lbs. per pair of brackets\*; four complete locking teeth; countersunk screw holes to fasten shelves

Standard 10 brackets per carton with UPC labels  
Builders Pack (BP) 10 brackets per carton, no UPC labels

### 182 Series Brackets Builders Pack (BP)

Size	Black (BLK)	White (WH)
7"	-	KV-182BP-WH-7
9"	-	KV-182BP-WH-9
10.5"	-	KV-182BP-WH-10.5
12.5"	-	KV-182BP-WH-12.5
14.5"	KV-182BP-BLK-14.5	KV-182BP-WH-14.5
18.5"	-	KV-182BP-WH-18.5
24"	-	KV-182BP-WH-24

ALM



BLK



TI



WH



## 87™/186™/187™ Series Super-Duty Standard and Bracket System

### Super-Duty Adjustable Shelving Systemst

- Single slot design • 2" vertical slot adjustability • Limited lifetime warranty • BHMA Grade 2 Compliant\*

#### 87 Series Standards

Dimensions: 7/8" wide x 11/16" deep x selected height

Material: 12 gauge steel

Finish: Anochrome (ANO), White (WH)

Standard 5 per carton, no UPC labels

#### 87 Series Standards Standard Pack

Size	Anochrome (ANO)	White (WH)
24"	KV-87-ANO-24	-
36"	KV-87-ANO-36	KV-87-WH-36
48"	KV-87-ANO-48	KV-87-WH-48
60"	KV-87-ANO-60	KV-87-WH-60
72"	KV-87-ANO-72	KV-87-WH-72
84"	KV-87-ANO-84	-
96"	KV-87-ANO-96	-

Origin: Made in the USA

Features: Countersunk screw holes; embossed logo to show correct orientation; center aligned slots and screw holes; precision cut lengths



#### 186LL and 187LL Series Lock Lever Brackets

Material: 12 gauge steel

Finish: Anochrome (ANO), White (WH)

Origin: Made in the USA

Features: Holds up to 1,060 lbs. per pair of brackets\*; utilizes an easy-to-install unique cam lock that secures brackets to the standard; two or three complete locking teeth; predrilled holes for mounting 1987 Series shelves or attaching shelf rests.

Standard 10 per carton, no UPC labels

#### 186 Series Brackets Standard Pack

Size	Anochrome (ANO)
8"	KV-186LL-ANO-8
10"	KV-186LL-ANO-10

#### 187 Series Brackets Standard Pack


Size	Anochrome (ANO)	White (WH)
12"	KV-187LL-ANO-12	-
14"	KV-187LL-ANO-14	KV-187LL-WH-14
16"	KV-187LL-ANO-16	KV-187LL-WH-16
18"	KV-187LL-ANO-18	-
20"	KV-187LL-ANO-20	-
22"	KV-187LL-ANO-22	-
24"	KV-187LL-ANO-24	-

186LL ANO 



187LL ANO 



186LL WH 



187LL WH 





## WORK STATION BRACKETS Extra strong 1/8" steel.

- A.D.A. brackets for work stations, counter tops and shelves
- 1 1/2" forms with 1/4" mounting holes
- 150,000 in stock and ready to ship
- Krinkle powder coat
- Load limit range of 1520 lbs to 2900 lbs per pair
- Available in a Primer Finish for your own custom paint

Part Number	Color/Size
BR-12X18-AL-L	Almond Left 12x18
BR-12X18-AL-R	Almond Right 12x18
BR-18X24-AL-L	Almond Left 18x24
BR-18X24-AL-R	Almond Right 18x24
BR-24X24-AL-NS	Almond 24x24
BR-12X18-BLK-L	Black Left 12x18
BR-12X18-BLK-R	Black Right 12x18
BR-15X21-BLK-L	Black Left 15x21
BR-15X21-BLK-R	Black Right 15x21
BR-18X18-BLK	Black 18x18
BR-24X24-BLK	Black 24x24
BR-24X29-BLK-L	Black Left 24x29
BR-24X29-BLK-R	Black Right 24x29
BR-8X12-BLK-L	Black Left 8x12
BR-8X12-BLK-R	Black Right 8x12

Part Number	Color/Size
BR-15X21-GR-L	Gray Left 15x21
BR-15X21-GR-R	Gray Right 15 X21
BR-12X18PRIMED-L	Primed Left 12x18
BR-12X18PRIMED-R	Primed Right 12x18
BR-15X21PRIMED-L	Primed Left 15x21
BR-15X21PRIMED-R	Primed Right 15x21
BR-18X24PRIMED-L	Primed Left
BR-18X24PRIMED-R	Primed Right
BR-18X18-WHT	White 18x18
BR-18X24-WH-L	White Left 18-1/4x24-1/4
BR-18X24-WH-R	White Right 18-1/4x24-1/4
BR-24X24-WH	White 24x24
BR-8X12-WH-L	White Left 8 X 12
BR-8X12-WH-R	White Right 8 X 12



## CONCEALED BRACKETS STEEL CONSTRUCTION (VERY STRONG)

- Load limit range of 1,000 lbs. to 7,960 lbs. per pair
- Mounting hardware included (3/8" - 16 x 3" carriage bolt assemblies)
- All welds on reverse for easy, clean install
- All sizes packaged 2 pcs per box
- Recommend backing when used with metal studs

### 1" STEEL CONSTRUCTION (VERY STRONG)

- Load limit range of 1,000 lbs. to 7,960 lbs. per pair
- Mounting hardware included (1/4" - 16 x 3" carriage bolt assemblies)

Part Number	Size/Color
BR-C12-BLACK	Concealed 12" Support Black
BR-C18-WHT	Concealed 18" Support White
BR-C24-BLK	Concealed 24" Support Black
BR-C24-WHITE	Concealed 24" Support White

### 2" STEEL CONSTRUCTION (VERY STRONG)

- Load limit range of 1,000 lbs. to 7,960 lbs. per pair
- Mounting hardware included (3/8" - 16 x 3" carriage bolt assemblies)

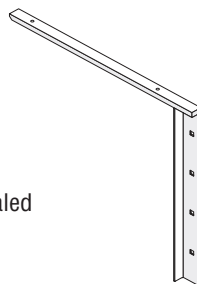
Part Number	Size/Color
BR-C18-BLK	Concealed 18" Support Black



## C Flat Concealed Brackets

- Load limit range of 1100 lbs to 4900 lbs per pair
- Mounting hardware included
- 3/8"-16 x 3" bolt assemblies for 2.0 Brackets
- 1/4" - 16 x 3" bolt assemblies for 1.0 Brackets
- All welds on reverse for easy, clean install
- All brackets available in black and white powdercoat
- All sizes packaged 2 pcs per box
- Half Inch horizontal support arm can be completely concealed
- Recommend backing when used with metal studs

Part Number	Size/Color
BR-CFLAT18(2)WH	2" C Flat 18"WHITE





**IN STOCK**



**Satin Brass**

- 1 BER-6163-2SB -P ▲
- 2 BER-6162-2SB -P ▲
- 3 BER-6161-2SB -P ▲
- 4 BER-6160-2SB -P ▲



**Satin Aluminum**

- 1 BER-6135-4SAL-P ●
- 2 BER-6134-4SAL-P ●
- 3 BER-6137-4SAL-P ●
- 4 BER-6136-4SAL-P ●



**Polished Brass**

- 1 BER-6153-203-P ▲
- 2 BER-6152-203-P ▲
- 3 BER-6151-203-P ▲
- 4 BER-6150-203-P ▲



**Verona Bronze**

- 1 BER-6173-20VB -P ▲
- 2 BER-6172-20VB -P ▲
- 3 BER-6171-20VB -P ▲
- 4 BER-6170-20VB -P ▲



**Brushed Nickel**

- 1 BER-6240-2BPN -P ▲
- 2 BER-6242-2BPN -P ▲
- 3 BER-6244-2BPN -P ▲
- 4 BER-6246-2BPN -P ▲



**Oil Rubbed Bronze**

- 1 BER-6183-2ORB -P ▲
- 2 BER-6182-2ORB -P ▲
- 3 BER-6181-2ORB -P ▲
- 4 BER-6180-2ORB -P ▲



**Brushed Chrome**

- 1 BER-6133-2SC -P ▲
- 2 BER-6132-2SC -P ▲
- 3 BER-6131-2SC -P ▲
- 4 BER-6130-2SC -P ▲



**Antique Brass**

- 1 BER-6155-30AB-P ■
- 2 BER-6154-30AB-P ■
- 4 BER-6156-30AB-P ■



**Polished Chrome**

- 1 BER-6143-226-P ▲
- 2 BER-6142-226-P ▲
- 3 BER-6141-226-P ▲
- 4 BER-6140-226-P ▲

- 2 BER-6052-303-P ■

ZURICH								
	Type	Length	Width	Height	Base	CC	TAP	
1	Pull	3-5/16	5/16	1-1/4	5/16	3	8-32	
2	Pull	3-13/16	5/16	1-1/4	5/16	3-1/2	8-32	
3	Pull	4-1/16	5/16	1-1/4	5/16	96 mm	8-32	
4	Pull	4-5/16	5/16	1-1/4	5/16	4	8-32	
5	Pull	5-5/16	5/16	1-1/4	5/16	5	8-32	

## ADVANTAGE PLUS DISPLAY BOARD 1



### KNOB 1 1/8"

- 1 BER-0913-1BPN-P
- 2 BER-9338-10VB-P
- 3 BER-9340-1RGZ-P
- 4 BER-9339-10WN-P

### PULL 3"

- 5 BER-1738-1BPN-P
- 6 BER-1741-1RGZ-P
- 7 BER-9344-10VB-P
- 8 BER-9345-10WN-P

### PULL 3" CC

- 9 BER-1744-1BPN-P
- 10 BER-1747-1RNGZ-P
- 11 BER-9346-10VB-P
- 12 BER-9350-10WN-P

### KNOB 1 1/8"

- 13 BER-1756-1BPN-P
- 14 BER-1759-1RGZ-P
- 15 BER-9336-10VB-P
- 16 BER-9337-10WN-P

### PULL 3" CC

- 17 BER-1786-1BPN-P
- 18 BER-1789-1RGZ-P
- 19 BER-9342-10VB-P
- 20 BER-9343-10WN-P

## ADVANTAGE PLUS DISPLAY BOARD 2



### KNOB 1 1/8"

- 1 BER-0914-198-P
- 2 BER-0923-1BBN-P
- 3 BER-0925-199-P
- 4 BER-1775-110-P

### KNOB 1 1/8"

- 5 BER-1777-1RGZ-P
- 6 BER-9351-10VB-P
- 7 BER-9352-10WN-P
- 8 BER-1773-126-P

### PULL 3" CC

- 9 BER-0922-1BBN-P
- 10 BER-0924-199-P
- 11 BER-1767-126-P
- 12 BER-1769-110-P

### PULL 3" CC

- 13 BER-1771-1RGZ-P
- 14 BER-9353-10VB-P
- 15 BER-9354-10VB-P
- 16 BER-0971-126-P

### PULL 3" CC

- 17 BER-0972-198-P
- 18 BER-0973-1BPN-P
- 19 BER-1733-110-P
- 20 BER-1735-1RGZ-P

### PULL 3" CC

- 21 BER-9355-10VB-P
- 22 BER-9356-10WN-P

## ADVANTAGE PLUS DISPLAY BOARD 4



### KNOB 1 5/16"

- 1 BER-0931-1BPN-P
- 2 BER-0934-1RG-P
- 3 BER-0935-155-P
- 4 BER-9365-10VB-P
- 5 BER-9366-10WN-P

### PULL 3" CC

- 6 BER-0944-1BBN-P
- 7 BER-0945-1BPN-P
- 8 BER-0946-10RBL-P
- 9 BER-0947-1RG-P
- 10 BER-9373-10VB-P

### KNOB 1 1/4"

- 11 BER-0954-1BBN-P
- 12 BER-0955-1BP-P
- 13 BER-0956-10RBL-P
- 14 BER-0957-1RG-P
- 15 BER-9372-10VB-P

### PULL 3" CC

- 16 BER-9367-10VB-P
- 17 BER-9368-1BPN-P
- 18 BER-9369-10WN-P
- 19 BER-9370-1055-P
- 20 BER-9371-1RGZ-P

## ADVANTAGE PLUS DISPLAY BOARD 5



### KNOB 1 3/16"

- 1 BER-9374-10VB-P
- 2 BER-9375-1BPN-P
- 3 BER-9376-10WN-P

### PULL 3" CC

- 4 BER-9377-10VB-P
- 5 BER-9378-1BP-N
- 6 BER-9379-10WN-P

### KNOB 1 1/4"

- 7 BER-9380-10VB-P
- 8 BER-9381-1BP-P
- 9 BER-9382-10WN-P

### PULL 96mm CC

- 10 BER-9383-10VB-P
- 11 BER-9384-1BP-N
- 12 BER-9385-10WN-P

### CUP PULL 3" CC

- 13 BER-9386-10VB-P
- 14 BER-9387-1BP-M
- 15 BER-9388-10WN-P

### KNOB 2 9/16" x 1 1/16"

- 16 BER-9389-10WN-P
- 17 BER-9390-10VB-P
- 18 BER-9391-1BN-P

### PULL 96mm CC

- 19 BER-9392-10VB-P
- 20 BER-9393-1BPN-P
- 21 BER-9394-10WN-P

## ADVANTAGE PLUS DISPLAY BOARD 6



### PULL 96mm CC

- 1 BER-9403-4BPN-P
- 2 BER-9404-4026-P
- 3 BER-9405-4055-P

### PULL 128mm CC

- 4 BER-9406-4BPN-P
- 5 BER-9407-4026-P
- 6 BER-9408-4055-P

### PULL 96mm CC

- 7 BER-9409-1BPN-P
- 8 BER-9410-1026-P
- 9 BER-9411-1055-P

### PULL 128mm CC

- 10 BER-9412-1BPN-P
- 11 BER-9413-1026-P
- 12 BER-9414-1055-P

### PULL 96mm CC

- 13 BER-9415-1BPN-P
- 14 BER-9416-1026-P
- 15 BER-9417-1055-P

### KNOB 1 7/16" x 3/4"

- 16 BER-9426-1BPN-P
- 17 BER-9427-1026-P
- 18 BER-9428-1055-P

## ADVANTAGE PLUS DISPLAY BOARD 7



### PULL 96mm CC

- 10 BER-9418-4BPN-P
- 11 BER-9419-4026-P
- 12 BER-9420-4055-P

### PULL 128mm CC

- 13 BER-9423-4BPN-P
- 14 BER-9424-4026-P
- 15 BER-9425-4055-P

### PULL 96mm CC

- 1 BER-9395-1BPN-P
- 2 BER-9396-1026-P
- 3 BER-9397-1055-P

### PULL 128mm CC

- 4 BER-9398-1BPN-P
- 5 BER-9399-1026-P
- 6 BER-9400-1055-P

### KNOB 1 1/4"

- 7 BER-9432-4BPN-P
- 8 BER-9433-4026-P
- 9 BER-9434-4055-P

### KNOB 1 1/8"

- 16 BER-9429-1BPN-P
- 17 BER-9430-1026-P
- 18 BER-9431-1055-P

### PULL 96mm CC

- 19 BER-9401-2BPN-P

### PULL 128mm CC

- 20 BER-9402-2BPN-P

### KNOB 2" T KNOB

- 21 BER-9435-2BPN-P

## DISC TUMBLER CYLINDER CAM LOCKS NICKEL FINISH

For drawers, right or left hand doors with lipped or flush construction. For overlay application, the combined thickness of front & frame cannot exceed cylinder length



C8053-14A  
C8055-14A

C8060-14A

Item Number	Key Numbers Available	Cylinder Length	Max Material Thickness
NL-C8053-14A	346, 361, 390, 413, 415, 420	1 3/16"	7/8"
NL-C8055-14A	390, 413, 415	1 7/16"	1 1/8"
NL-C8060-14A	415	1 3/4"	1 7/16"

Includes 2 Keys, Trim Washer, Spur Washer, Mounting Nut & 2 Cams

## CAM LOCK MOUNTING PLATE W/SINGLE MOUNTING SCREW HOLE



Item Number	Size
NL-C2014-2C	1 3/8" x 1 1/4"

## DOUBLE DOOR LATCH

- Low profile Latch reduces product footprint inside cabinet
- Requires use of a single lock (sold separately)
- Easy to use and install
- Exceeds pull force above 150lbs for increased security
- Catch on the second door acts as a slam latch
- Does not require reaching into the cabinet to release

Item Number	Description
TI-DL-200-BLACK	Black double door latch (for left door)
TI-DL-200-WHITE	White double door latch (for left door)
TI-DL-300-BLACK	Black double door latch (for right door)
TI-DL-300-WHITE	White double door latch (for right door)



Note: For cabinets taller than 48" it is recommended to use both top and bottom mount latches.

Kits contain one each: latch, activator & catch

**Application** – Allows two or three point locking for standard or wardrobe double door cabinets.

**Operation** – Either door can be closed at anytime.

**Secures doors with deadbolt or cam locks.**



## The X2 Bracket

is compatible with most industry standard side and under mounted slide systems.

### How It Works

With a simple slide/swing motion the slides are disengaged from the pilasters and moved up or down to organize tall and short items.



## Convenience Kits

Kits come with brackets and pilaster.

### Standard Height Base Kits 21¾" length

ITEM	DESCRIPTION
XB-XB150N	8 Brackets, (4) 1 ¼" Pilasters
XB-XB150W	8 Brackets, (4) 2 ½" Pilasters

### Pantry Kits 60¾" length

ITEM	DESCRIPTION
XB-XB550N	20 Brackets, (4) 1 ¼" Pilasters
XB-XB550W	20 Brackets, (4) 2 ½" Pilasters



## Brackets Only

1 Set of Brackets for one roll out shelf

ITEM NUMBER	DISCRIPTION
XB-XBONLY1	1 set of 4 w/ screws.
XB-XBONLY50	50 sets of 4 w/ screws.



## RV SERIES SINGLE PULLOUT WASTE CONTAINERS

- Available in a variety of sizes to accommodate almost any cabinet space
- Features heavy duty wire frame construction
- Available with Euro, 3/4" or full-extension, ball-bearing slides
- Easy bottom mount installation (four screws)
- Carries the standard Rev-A-Shelf Limited Lifetime Guarantee



PRODUCT #	DESCRIPTION	PRODUCT DIMENSIONS	FINISH
<b>Single Waste Containers (Individual Pack)</b>			
RV-814PB	Single 20 qt. with Euro Slides when rotated:	8½" (216 mm) W x 14⅝" (370 mm) D x 16⅝" (422 mm) H 14½" (362 mm) W x 14⅝" (370 mm) D x 16¼" (413 mm) H	White/White
RV-9PB	Single 30 qt. 3/4 Extension Slides	9½" (242 mm) W x 22" (559 mm) D x 19¼" (489 mm) H	White/White
RV-9PB S	Above with Full-Extension Slides		White/White
RV-12PB S	Above with Full-Extension Slides		White/White
RV-12PB-LE	Single 35 qt. with Lid and FE slides	10⅝" (270 mm) W x 16" (407 mm) D x 20⅝" (518 mm) H	White/White
RV-12PB-50	Single 50 qt.	10¾" (273 mm) W x 22" (559 mm) D x 23¼" (591 mm) H	White/White
RV-18PB-1	Single 35 qt.	14⅝" (365 mm) W x 22" (559 mm) D x 19¼" (489 mm) H	White/White

## RV SERIES DOUBLE PULLOUT WASTE CONTAINERS

- Available in double 27 and 35 qt. containers
- Features heavy duty wire frame construction
- Features full-extension, ball-bearing slides
- Easy bottom mount installation (four screws)
- Carries the standard Rev-A-Shelf Limited Lifetime Guarantee



PRODUCT #	DESCRIPTION	PRODUCT DIMENSIONS	FINISH
<b>Double Waste Containers (Individual Pack)</b>			
RV-15PB-2 S	Double 27 qt. Containers/Full-Extension Slides	11⅜" (300 mm) W x 22¼" (565 mm) D x 19⅝" (486 mm) H	White/White
RV-18PB-2 S	Double 35 qt. Containers/Full-Extension Slides	14⅝" (365 mm) W x 22" (559 mm) D x 19¼" (489 mm) H	White/White

## 5149 SERIES DOOR MOUNT WASTE CONTAINERS

- Available in single 32, 35 and 50 qt. and double 27, 32, 35, and 50 qt. waste containers
- Features a sleek anodized aluminum frame
- Glides effortlessly on Rev-A-Motion™ soft-close slides
- Coordinating polymer base and bins are available in silver and white
- Includes our patented door mount brackets, with up to 5" of flexibility to fit any door style



PRODUCT #	DESCRIPTION	PRODUCT DIMENSIONS	MIN WIDTH FRAMELESS	MIN WIDTH FACE FRAME	FINISH
<b>Single Waste Containers (Silver) (Individual Pack)</b>					
RV-5149-15DM18-117	Single 35 qt. Container w/RAM™ w/18" Slides	12 $\frac{1}{8}$ " (308 mm) W x 18" (457 mm) D x 19 $\frac{1}{2}$ " (495 mm) H	12 $\frac{1}{4}$ "	11 $\frac{1}{2}$ "	Silver/Alum
<b>Double Waste Containers (Silver) (Individual Pack)</b>					
RV-5149-18DM-217	Double 35 qt. Containers w/ Rev-A-Motion	14 $\frac{3}{16}$ " (360 mm) W x 22" (559 mm) D x 19 $\frac{1}{2}$ " (495 mm) H	14 $\frac{1}{2}$ "	14 $\frac{1}{2}$ "	Silver/Alum
RV-5149-2150DM-217	Double 50 qt. Containers w/ Rev-A-Motion	15 $\frac{5}{8}$ " (397 mm) W x 22" (559 mm) D x 23 $\frac{1}{2}$ " (597 mm) H	15 $\frac{3}{4}$ "	15 $\frac{3}{4}$ "	Silver/Alum

## 5349 SERIES DOOR MOUNT WASTE CONTAINERS

- Available in single 32, 35 and 50 qt. and double 27, 32, 35, and 50 qt. waste containers
- Stainless steel bins are available
- Features heavy duty brushed aluminum soft-closing slides rated for a maximum of 85 lbs.
- Extremely stable
- Includes a fully adjustable (10" high) door mount frame
- Single waste containers feature a built-in storage area for bags



PRODUCT #	DESCRIPTION	PRODUCT DIMENSIONS	FINISH
<b>Single Pullout Waste Containers (Individual Pack)</b>			
RV-5349-15DM-1	Single 35 qt. Pullout Container	10 $\frac{3}{4}$ " (273 mm) W x 21 $\frac{1}{16}$ " (557 mm) D x 19 $\frac{1}{4}$ " (489 mm) H	White/Alum
RV-5349-1550DM-117	Single 50 qt. Pullout Container	10 $\frac{3}{4}$ " (273 mm) W x 21 $\frac{1}{16}$ " (557 mm) D x 23 $\frac{1}{8}$ " (588 mm) H	Silver/Alum
<b>Double Pullout Waste Containers (Individual Pack)</b>			
RV-5349-18DM-2	Double 35 qt. Pullout Containers	14 $\frac{1}{16}$ " (376 mm) W x 21 $\frac{7}{16}$ " (556 mm) D x 19 $\frac{1}{4}$ " (489 mm) H	White/Alum
RV-5349-2150DM-2	Double 50 qt. Pullout Containers	14 $\frac{1}{16}$ " (376 mm) W x 22 $\frac{1}{8}$ " (562 mm) D x 22 $\frac{1}{16}$ " (583 mm) H	White/Alum

## RV SERIES PULLOUT WASTE CONTAINERS

- Available in single 35 qt., double 27 and 35 qt. containers
- Features heavy duty wire frame construction
- Features full-extension, ball-bearing slides
- Easy bottom mount installation (four screws)
- Carries the standard Rev-A-Shelf Limited Lifetime Guarantee



PRODUCT #	DESCRIPTION	PRODUCT DIMENSIONS	FINISH
<b>Pullout Waste Containers (Individual Pack)</b>			
RV-12KD-18C S	Single 35 qt. with Rear Basket	10 $\frac{5}{8}$ " (270 mm) W x 22" (559 mm) D x 19 $\frac{1}{4}$ " (489 mm) H	Black/Chrome
RV-15KD-18C S	Double 27 qt. Containers/Full-Extension Slides	11 $\frac{13}{16}$ " (300 mm) W x 22 $\frac{1}{4}$ " (565 mm) D x 19 $\frac{1}{4}$ " (489 mm) H	Black/Chrome
RV-18KD-18C S	Double 35 qt. Containers/Full-Extension Slides	14 $\frac{3}{8}$ " (365 mm) W x 22" (559 mm) D x 19 $\frac{1}{4}$ " (489 mm) H	Black/Chrome

## RV SERIES PULLOUT WASTE CONTAINERS

- Available in single 20 qt. and 35 qt., double 27 and 35 qt. containers
- Features heavy duty wire frame construction
- Features full-extension, ball-bearing slides
- Easy bottom mount installation (four screws)
- Carries the standard Rev-A-Shelf Limited Lifetime Guarantee



PRODUCT #	DESCRIPTION	PRODUCT DIMENSIONS	FINISH
<b>Pullout Waste Containers (Individual Pack)</b>			
RV-8PB-CR S	Single 20 qt. Container Full-Extension Slides	8 $\frac{5}{8}$ " (219 mm) W x 17 $\frac{1}{16}$ " (450 mm) D x 16 $\frac{3}{4}$ " (426 mm) H	Silver, Chrome
RV-15KD-18C S	Double 27 qt. Containers/Full-Extension Slides	11 $\frac{13}{16}$ " (300 mm) W x 22 $\frac{1}{4}$ " (565 mm) D x 19 $\frac{1}{4}$ " (489 mm) H	Silver, Chrome
RV-18KD-17C S	Double 35 qt. Containers/Full-Extension Slides	14 $\frac{3}{8}$ " (365 mm) W x 22" (559 mm) D x 19 $\frac{1}{4}$ " (489 mm) H	Silver, Chrome

## RV SERIES 35 QT. CONTAINER LIDS

PRODUCT #	DESCRIPTION	FINISH
RV-35-LID-1	35 qt. Waste Container Lid - White	Polymer

## 53WC SERIES UNDERMOUNT WASTE CONTAINERS

- Fits 12", 15" and 18" cabinet openings
- Available in single and double 27 qt., 35 qt. and 50 qt. capacities
- Available in metallic silver or champagne
- Durable powder coated finish
- Single versions have a removable rear basket
- Full-extension, progressive roller, 90 lb. rated, soft-close slides
- Comes complete with our patented door mounting brackets (US Patent No. 6,390,576)
- Lids and replacement containers sold separately
- Fast and easy installation



PRODUCT #	DESCRIPTION	PRODUCT DIMENSIONS	MIN WIDTH FRAMELESS	MIN WIDTH FACE FRAME	FINISH
<b>Undermount Waste Containers (Individual Pack)</b>					
RV-53WC-1835SCDM-217	Double 35 qt. Waste Container	14 $\frac{3}{8}$ " (365 mm) W x 22 $\frac{1}{4}$ " (565 mm) D x 19" (483 mm) H	15"	15"	Silver
RV-53WC-2150SCDM-217	Double 50 qt. Waste Container	14 $\frac{3}{4}$ " (375 mm) W x 22 $\frac{1}{4}$ " (565 mm) D x 22 $\frac{7}{8}$ " (581 mm) H	15 $\frac{1}{2}$ "	15 $\frac{1}{2}$ "	Silver

## 4WCBM SERIES BOTTOM MOUNT WASTE CONTAINERS

- Available in single 35, and 50 qt. and double 30, 35 and 50 qt. capacity
- Feature patented Rev-A-Motion™ soft-open/soft-close slide system
- The unique design allows installation into 1 $\frac{1}{2}$ ", 1 $\frac{5}{8}$ " and 1 $\frac{3}{4}$ " face frame sizes, as well as frameless constructions
- Metallic silver waste bins
- Built-in door mount brackets
- Single units and the double 30 qt. feature a removable wood bin in rear for bag storage
- Beautiful dovetail constructed frame, concealed 150 lb. slides for a clean look
- Carb II compliant



PRODUCT #	DESCRIPTION	PRODUCT DIMENSIONS	MIN WIDTH FRAMELESS	MIN WIDTH FACE FRAME	FINISH
<b>Rev-A-Motion™ Bottom Mount Wood Pullout Waste Containers (Individual Pack)</b>					
RV-4WCBM-2430DM-2	Double 30 qt. w/Rev-A-Motion™	20 $\frac{1}{4}$ " (515 mm) W x 21 $\frac{3}{4}$ " (553 mm) D x 19 $\frac{1}{4}$ " (489 mm) H	20 $\frac{3}{8}$ " (516 mm)	20 $\frac{3}{8}$ " (516 mm)	Silver/Wood
RV-4WCBM-15DM-1	Single 35 qt. w/Rev-A-Motion™	12" (305mm) W x 21 $\frac{3}{4}$ " (553 mm) D x 19 $\frac{1}{4}$ " (489 mm) H	*12 $\frac{1}{4}$ " (311 mm)	11 $\frac{3}{8}$ " (299 mm)	Silver/Wood
RV-4WCBM-18DM-2	Double 35 qt. w/Rev-A-Motion™	14 $\frac{1}{4}$ " (362 mm) W x 21 $\frac{3}{4}$ " (553 mm) D x 19 $\frac{1}{4}$ " (489 mm) H	14 $\frac{3}{8}$ " (364 mm)	14 $\frac{3}{8}$ " (364 mm)	Silver/Wood
RV-4WCBM-1550DM-1	Single 50 qt. w/Rev-A-Motion™	12" (305 mm) W x 21 $\frac{3}{4}$ " (553 mm) D x 23 $\frac{3}{8}$ " (589 mm) H	*12 $\frac{1}{4}$ " (311 mm)	11 $\frac{3}{8}$ " (299 mm)	Silver/Wood
RV-4WCBM-2150DM-2	Double 50 qt. w/Rev-A-Motion™	17 $\frac{1}{4}$ " (438 mm) W x 21 $\frac{3}{4}$ " (553 mm) D x 23 $\frac{3}{8}$ " (589 mm) H	17 $\frac{3}{8}$ " (441 mm)	17 $\frac{3}{8}$ " (441 mm)	Silver/Wood

## 4WCTM-BBSC SERIES SOFT-CLOSE WASTE CONTAINERS

- Available in a single 35 and 50 and double 27 qt., 35 qt. and 50 qt. varieties
- 1-1/2" over-travel soft-close ball-bearing slides
- Solid maple construction
- Rear adjustable mounting brackets for variances in cabinet depth
- Pre-assembled door mount brackets
- Single 35 qt. waste container systems include a short polymer bin
- Carb II compliant



PRODUCT #	DESCRIPTION	PRODUCT DIMENSIONS	FINISH
<b>Soft-Close Wood Top Mount Waste Container (Individual Pack)</b>			
RV-44WCTM-12BBSCDM1	Single 35 qt. Soft-Close Top Mount	12" (305 mm) W x 22¾" (578 mm) D x 17⅞" (454 mm) H	Sliver/Wood
RV-44WCTM-15BBSCDM2	Double 27 qt. Soft-Close Top Mount	12" (305 mm) W x 23¼" (591 mm) D x 17¾" (451 mm) H	Silver/Wood
RV-44WCTM-18BBSCDM2	Double 35 qt. Soft-Close Top Mount	15" (381 mm) W x 22¾" (578 mm) D x 17⅞" (454 mm) H	Silver/Wood
RV-44WCTM-2150BBSCDM-2	Double 50 qt. Soft-Close Top Mount	18" (457 mm) W x 23¼" (591 mm) D x 21¾" (553 mm) H	Silver/Wood

## 4WCSD SERIES ELECTRIC ASSIST WASTE CONTAINERS

- Available in single and double 35 qt. and 50 qt. capacity
- Blum MOVENTO heavy duty, over travel, concealed slides with BLUMOTION Soft-Close
- Featuring Blum SERVO-DRIVE touch-to-open
- Uses standard 110V wall socket
- Complete kit
- Metallic silver waste bins
- Dovetail maple drawer box
- Adjustable door mounting brackets
- Single units feature a removable wood bin in rear for bag storage
- Carb II compliant



PRODUCT #	DESCRIPTION	PRODUCT DIMENSIONS	MIN OPENING	FINISH
<b>Electric Assist Waste Containers (Individual Pack)</b>				
RV-44WCSD-1535DM-1	Single 35 qt. Kit w/ Blum MOVENTO & SERVO-DRIVE	12" (305 mm) W x 22½" (572 mm) D* x 19½" (496 mm) H	12"W	Silver/Wood
RV-44WCSD-1550DM-1	Single 50 qt. Kit w/ Blum MOVENTO & SERVO-DRIVE	12" (305 mm) W x 22½" (572 mm) D* x 23¾" (594 mm) H	12"W	Silver/Wood
RV-44WCSD-1835DM-2	Double 35 qt. Kit w/ Blum MOVENTO & SERVO-DRIVE	15" (381 mm) W x 22½" (572 mm) D* x 20¾" (518 mm) H	15"W	Silver/Wood
RV-44WCSD-2150DM-2	Double 50 qt. Kit w/ Blum MOVENTO & SERVO-DRIVE	18" (458 mm) W x 22½" (572 mm) D* x 24¼" (616 mm) H	18"W	Silver/Wood

\* with SERVO-DRIVE

## 4WCTM SERIES TOP MOUNT WASTE CONTAINERS

- Available in a single 35 and 50 qt. and double 27, 35, and 50 qt. and four 27 qt. varieties
- Solid maple construction
- Rear adjustable mounting brackets for variances in cabinet depth
- Pre-assembled door mount brackets
- Full-extension, ball-bearing, 150 lb. rated, over-travel slides
- Single 35 qt. waste container systems include a short polymer bin
- Carb II compliant



PRODUCT #	DESCRIPTION	PRODUCT DIMENSIONS
<b>1-1/2" FACE FRAME</b>		
RV-4WCTM-12DM1	Single 35 qt. Container w/Zinc Slides/White Trash Bin/Storage Bin	12" (305 mm) W x 22 <sup>3</sup> / <sub>4</sub> " (578 mm) D x 17 <sup>7</sup> / <sub>8</sub> " (454 mm) H
RV-4WCTM-1550DM-1	Single 50 qt. Container w/Zinc Slides/White Trash Bin/Storage Bin	12" (305 mm) W x 23 <sup>1</sup> / <sub>2</sub> " (591 mm) D x 21 <sup>3</sup> / <sub>4</sub> " (553 mm) H
RV-4WCTM-18DM2	Double 35 qt. Containers w/Zinc Slides/White Trash Bins	15" (381 mm) W x 22 <sup>1</sup> / <sub>2</sub> " (572 mm) D x 17 <sup>7</sup> / <sub>8</sub> " (454 mm) H
RV-4WCTM-21DM2	Double 35 qt. Containers w/Zinc Slides/White Trash Bins	18" (457 mm) W x 22 <sup>3</sup> / <sub>4</sub> " (578 mm) D x 17 <sup>7</sup> / <sub>8</sub> " (454 mm) H
RV-4WCTM-2150DM-2	Double 50 qt. Containers w/Zinc Slides/White Trash Bins	18" (457 mm) W x 23 <sup>1</sup> / <sub>2</sub> " (591 mm) D x 21 <sup>3</sup> / <sub>4</sub> " (553 mm) H
<b>1-1/2" FACE FRAME - REDUCED DEPTH SIDE MOUNT</b>		
RV-4WCTM-1816DM-1	Single 35 qt. Container w/Zinc Slides/Silver Bin/Wood Bin*	15" (381 mm) W x 16 <sup>1</sup> / <sub>4</sub> " (413 mm) D x 18" (457 mm) H
<b>1-5/8" FACE FRAME</b>		
RV-4WCTM-21DM2-162	Double 35 qt. w/Zinc Slides/White Trash Bins	17 <sup>3</sup> / <sub>4</sub> " (451 mm) W x 22 <sup>3</sup> / <sub>4</sub> " (578 mm) D x 17 <sup>7</sup> / <sub>8</sub> " (454 mm) H
RV-4WCTM-24DM2-162	Double 35 qt. w/Zinc Slides/White Trash Bins	20 <sup>3</sup> / <sub>4</sub> " (527 mm) W x 22 <sup>3</sup> / <sub>4</sub> " (578 mm) D x 17 <sup>7</sup> / <sub>8</sub> " (454 mm) H
<b>1-3/4" FACE FRAME</b>		
RV-4WCTM-12DM1-175	Single 35 qt. w/Zinc Slides/White Trash Bin/Storage Bin	11 <sup>1</sup> / <sub>2</sub> " (292 mm) W x 22 <sup>1</sup> / <sub>4</sub> " (565 mm) D x 17 <sup>7</sup> / <sub>8</sub> " (454 mm) H
RV-4WCTM-18DM2-175	Double 35 qt. w/Zinc Slides/White Trash Bins	14 <sup>1</sup> / <sub>2</sub> " (368 mm) W x 22 <sup>1</sup> / <sub>4</sub> " (565 mm) D x 17 <sup>7</sup> / <sub>8</sub> " (454 mm) H
<b>FRAMELESS - SIDE MOUNT (EXCEPT 4WCTM-21DM2-495-FL WHICH HAS BACK MOUNT BRACKET)</b>		
RV-4WCTM-1550DM1-343-FL	Frameless Single 50 qt. w/Zinc Slides/White Trash Bins	343 mm (13 <sup>1</sup> / <sub>2</sub> " ) W x 591 mm (23 <sup>3</sup> / <sub>4</sub> " ) D x 553 mm (21 <sup>3</sup> / <sub>4</sub> " ) H
RV-4WCTM-15DM2-343-FL	Frameless Double 27 qt. w/Zinc Slides/White Trash Bins	343 mm (13 <sup>1</sup> / <sub>2</sub> " ) W x 591 mm (23 <sup>3</sup> / <sub>4</sub> " ) D x 451 mm (17 <sup>3</sup> / <sub>4</sub> " ) H
RV-4WCTM-18DM2-419-FL	Frameless Double 35 qt. w/Zinc Slides/White Trash Bins	419 mm (16 <sup>1</sup> / <sub>2</sub> " ) W x 578 mm (22 <sup>3</sup> / <sub>4</sub> " ) D x 454 mm (17 <sup>7</sup> / <sub>8</sub> " ) H
RV-4WCTM-1850DM2-419-FL	Frameless Double 50 qt. w/Zinc Slides/White Trash Bins	419 mm (16 <sup>1</sup> / <sub>2</sub> " ) W x 591 mm (23 <sup>3</sup> / <sub>4</sub> " ) D x 553 mm (21 <sup>3</sup> / <sub>4</sub> " ) H
RV-4WCTM-27-4-597-FL	Frameless Four 27 qt. Containers w/Zinc Slides/White Trash Bins	597 mm (23 <sup>1</sup> / <sub>2</sub> " ) W x 591 mm (23 <sup>3</sup> / <sub>4</sub> " ) D x 451 mm (17 <sup>3</sup> / <sub>4</sub> " ) H

## 5BBSC SERIES SOFT-CLOSE RECYCLE CENTER

- Features three 25 qt. polymer bins
- 150 lb. rated ball-bearing soft-close slides
- Makes sorting plastic, glass and metal simple
- Includes machine washable canvasbag for paper products



PRODUCT #	DESCRIPTION	PRODUCT DIMENSIONS	FINISH
<b>SOFT-CLOSE RECYCLE CENTER</b>			
RV-5BBSC-WMDM24-W	Soft-Close Recycle Center w/White Bins	20" (505 mm) W X 22 <sup>1</sup> / <sub>4</sub> " (562 mm) D X 20 <sup>1</sup> / <sub>4</sub> " (511 mm) H	White/Chrome

## REPLACEMENT WASTE CONTAINERS AND BINS

PRODUCT #	DESCRIPTION	PRODUCT DIMENSIONS	FINISH
<b>REPLACEMENT WASTE CONTAINERS (BULK PACK)</b>			
RV-6700-61-B	30 qt.	9 <sup>3</sup> / <sub>8</sub> " (239 mm) W x 15 <sup>3</sup> / <sub>8</sub> " (397 mm) D x 17 <sup>7</sup> / <sub>8</sub> " (454 mm) H	Polymer
RV-1024W	27 qt.	11" (280 mm) W x 10 <sup>7</sup> / <sub>8</sub> " (277 mm) D x 17 <sup>3</sup> / <sub>4</sub> " (451 mm) H	Polymer
RV-35-8	35 qt.	14 <sup>3</sup> / <sub>8</sub> " (365 mm) W x 10 <sup>1</sup> / <sub>2</sub> " (270 mm) D x 17 <sup>7</sup> / <sub>8</sub> " (454 mm) H	Polymer-White
RV-35-17-8	35 qt.	14 <sup>3</sup> / <sub>8</sub> " (365 mm) W x 10 <sup>1</sup> / <sub>2</sub> " (270 mm) D x 17 <sup>7</sup> / <sub>8</sub> " (454 mm) H	Polymer-Metallic Silver
RV-50-8	50 qt.	14 <sup>3</sup> / <sub>4</sub> " (274 mm) W x 10 <sup>3</sup> / <sub>4</sub> " (375 mm) D x 21 <sup>3</sup> / <sub>4</sub> " (550 mm) H	Polymer-White



- Designed for 15", 18" and 21" base cabinets
- Single and double 35 and 50 qt. polymer containers, metallic silver
- Maple dovetail frame with semi-gloss finish
- Full-extension with 3/4" over-travel, MOVENTO, 132 lb. rated, concealed slides with BLUMOTION soft-close
- Rear storage with all single units
- Mounts to cabinet door and floor
- Patented door mount brackets with micro-adjustment (US Patent No. 8,388,076)
- TIP-ON technology available (sold separately pg. 74)
- 35 and 50 qt. polymer lids available (sold separately)
- Carb II compliant

#### Compost Bin

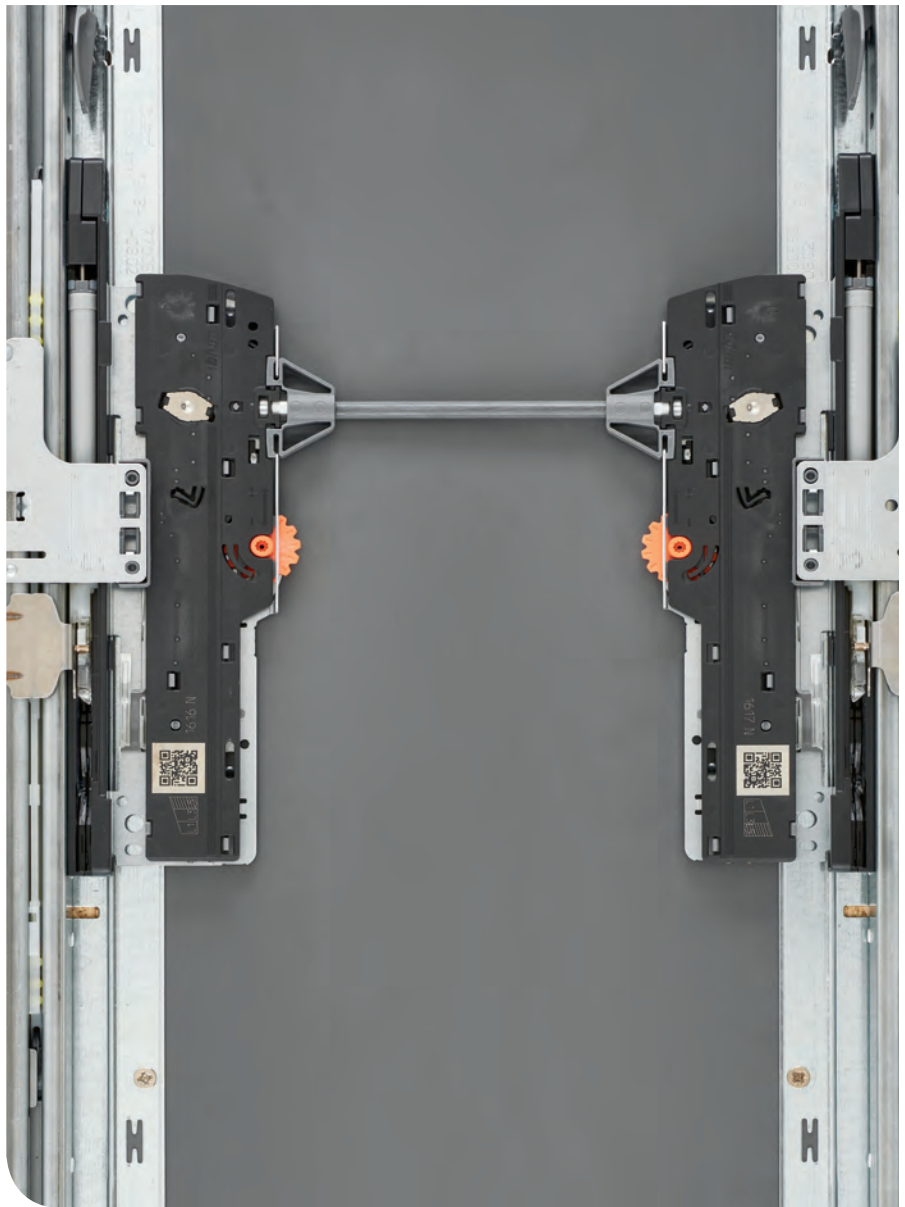
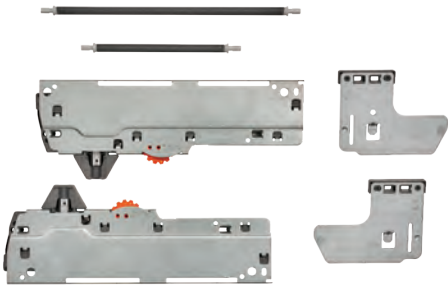
- 2 configurations available
- Single compost designed for a 30" sink base or 15" base cabinets
- Compost bin and white 35 qt. polymer waste container designed for 18" base cabinets



PRODUCT #	DESCRIPTION	PRODUCT DIMENSIONS	MIN OPENING	FINISH	SET PER CTN	WHT PER CARTON	SUGGESTED LIST PRICE
<b>Maple Bottom Mount MOVENTO Waste Container Pullouts</b>							
RV-4WCSC-1535DM-1	Single 35 qt.	12" (305 mm) W x 21 $\frac{3}{4}$ " (553 mm) D x 19 $\frac{1}{2}$ " (496 mm) H	12"W	Silver/Maple	1	24.5 lb.	\$349.45
RV-4WCSC-1535DM19-1	Single 35 qt. Reduced Depth w/TANDEM Slides	12" (305 mm) W x 18 $\frac{5}{8}$ " (473 mm) D x 19 $\frac{1}{2}$ " (496 mm) H	12"W	Silver/Maple	1	20.8 lb.	\$287.40
RV-4WCSC-1550DM-1	Single 50 qt.	12" (305 mm) W x 21 $\frac{3}{4}$ " (553 mm) D x 23 $\frac{3}{8}$ " (594 mm) H	12"W	Silver/Maple	1	24 lb.	\$342.20
RV-4WCSC-1835DM-2	Double 35 qt.	15" (381 mm) W x 21 $\frac{3}{4}$ " (553 mm) D x 20 $\frac{3}{8}$ " (518 mm) H	15"W	Silver/Maple	1	28 lb.	\$376.40
RV-4WCSC-1835DMND-2	Double 35 qt. for Inset	15" (381 mm) W x 21 $\frac{3}{4}$ " (553 mm) D x 20 $\frac{3}{8}$ " (518 mm) H	15"W	Silver/Maple	1	24 lb.	\$370.35
RV-4WCSC-2135DM-2	Double 35 qt.	18" (470 mm) W x 21 $\frac{3}{4}$ " (470 mm) D x 19 $\frac{1}{4}$ " (470 mm) H	18"W	Silver/Maple	1	30 lb.	\$401.95
RV-4WCSC-2150DM-2	Double 50 qt.	18" (458 mm) W x 21 $\frac{3}{4}$ " (553 mm) D x 24 $\frac{1}{4}$ " (616 mm) H	18"W	Silver/Wood	1	33 lb.	\$418.20
<b>Maple Bottom Mount Compost Pullouts</b>							
RV-4WCSC-CP-1	Single Compost Bin w/ Soft-Close	12" (305 mm) W x 18 $\frac{1}{8}$ " (474 mm) D x 18 $\frac{1}{2}$ " (470 mm) H	12"W	Green/Wood	1	24 lb.	\$416.75
RV-4WCSC-1835CP-2	Compost Bin w/one 35 qt. Container w/ Soft-Close	15" (381 mm) W x 21 $\frac{1}{8}$ " (550 mm) D x 20 $\frac{3}{8}$ " (516 mm) H	15"W	Green/White/Wood	1	28.5 lb.	\$474.90
<b>Accessories</b>							
RV-CP-BAGROLL-1	Replacement Compost Bags (1 Roll, 12 bags)				1		\$22.60
RV-CP-FILTER-1	Replacement Charcoal Filter (2)				1	.3 lb.	\$22.60



- Kits for all standard depth waste containers, food storage and LEGRABOX units
- The four-dimensional adjustment ensures a precise gap layout
- Features easy fingertip opening
- The integrated depth adjustment can be made tool-free using the adjustment wheel
- With a front gap of just 2.5 mm, TIP-ON BLUMOTION is also suitable for kitchens
- The extensive trigger range is ensured at all times



PRODUCT #	DESCRIPTION	PRODUCT DIMENSIONS	SET PER CTN	WHT PER CARTON	SUGGESTED LIST PRICE
<b>MOVENTO TIP-ON Kit for 4WCSC Series</b>					
RV-4WC-TOKIT-12	12" 4WCSC MOVENTO TIP-ON Kit	3½" (89 mm) W x 9" (229 mm) D x 1¾"(44 mm) H	1	2 lb.	\$66.70
RV-4WC-TOKIT-15	15" 4WCSC MOVENTO TIP-ON Kit	3½" (89 mm) W x 9" (229 mm) D x 1¾"(44 mm) H	1	2 lb.	\$66.70
RV-4WC-TOKIT-18	18" 4WCSC MOVENTO TIP-ON Kit	3½" (89 mm) W x 9" (229 mm) D x 1¾"(44 mm) H	1	2 lb.	\$66.70

PRODUCT #	DESCRIPTION	PRODUCT DIMENSIONS	SET PER CTN	WHT PER CARTON	SUGGESTED LIST PRICE
<b>MOVENTO TIP-ON Kit for LEGRABOX 5LB Series</b>					
RV-5LB-TOKIT-12	12" LEGRABOX TIP-ON Kit	3½" (89 mm) W x 9" (229 mm) D x 1¾"(44 mm) H	1	2 lb.	\$62.65
RV-5LB-TOKIT-15	15" LEGRABOX TIP-ON Kit	3½" (89 mm) W x 9" (229 mm) D x 1¾"(44 mm) H	1	2 lb.	\$62.65
RV-5LB-TOKIT-18	18" LEGRABOX TIP-ON Kit	3½" (89 mm) W x 9" (229 mm) D x 1¾"(44 mm) H	1	2 lb.	\$62.65

NOTE: \* For the 4WCSC Series excluding 4WCSC-1535DM19-1



**Lazy Daisy Polymer**  
**Unique Snap Pin Design**  
**Ribbed Tray Surface**  
**Molded Polymer Hubs**  
**Independently Rotating**



Available in Almond 15 or White 11

## KIDNEY SHELF



PRODUCT #	DESCRIPTION	PRODUCT DIMENSIONS	FINISH
<b>Lazy Daisy Polymer Kidney Shape Two Tray Set (Individual Pack)</b>			
RV-LD-2472-24-**-1	2 Shelf Set w/26"-31" Tele Shaft	24" Diameter	Polymer
RV-LD-2472-28-**-1	2 Shelf Set w/26"-31" Tele Shaft	28" Diameter	Polymer
RV-LD-2472-32-**-1	2 Shelf Set w/26"-31" Tele Shaft	32" Diameter	Polymer

## FULL CIRCLE SHELF



PRODUCT #	DESCRIPTION	PRODUCT DIMENSIONS	FINISH
<b>Lazy Daisy Polymer Full Circle Single Tray Set - Bottom Mount (Individual Pack)</b>			
RV-LD-2061-28BM-**-1	Single Shelf Set - Bottom Mount	28" Diameter	Polymer
<b>Lazy Daisy Polymer Full Circle Two Tray Set (Individual Pack)</b>			
RV-LD-2062-18-**-1	2 Shelf Set w/26"-31" Tele Shaft	18" Diameter	Polymer
RV-LD-2062-24-**-1	2 Shelf Set w/26"-31" Tele Shaft	24" Diameter	Polymer
RV-LD-2062-28-**-1	2 Shelf Set w/26"-31" Tele Shaft	28" Diameter	Polymer
RV-LD-2062-32-**-1	2 Shelf Set w/26"-31" Tele Shaft	32" Diameter	Polymer
<b>Lazy Daisy Polymer Full Circle Two Tray Set - Bottom Mount (Individual Pack)</b>			
RV-LD-2062-32BM-**-1	2 Shelf Set - Bottom Mount	32" Diameter	Polymer
<b>Lazy Daisy Polymer Full Circle Three Tray Set (Individual Pack)</b>			
RV-LD-2063-1836-**-1	3 Shelf Set w/34-41" Telescoping Post	18" Diameter	Polymer

## FULL CIRCLE SHELF BULK



PRODUCT #	DESCRIPTION	PRODUCT DIMENSIONS	FINISH
<b>Lazy Daisy Polymer Full Circle Trays Only (Bulk Pack)</b>			
RV-LD-2001-24-**-10	Single Shelf Only	24" Diameter	Polymer
RV-LD-2001-28-**-10	Single Shelf Only	28" Diameter	Polymer
<b>Hardware (Bulk Pack)</b>			
RV-LD-20-0436-5	LD Snap Pin Hdw for Polymer Full Circle 3 Tray w/ Standard 39" Post		Zinc/White
RV-LD-20-04-5	LD Snap Pin Hdw for Polymer Full Circle w/26-31" Telescoping Post		Zinc/White

## PIE-CUT SHELF

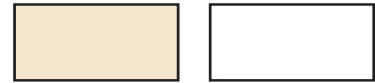
*(Attaches to the cabinet door)*



PRODUCT #	DESCRIPTION	PRODUCT DIMENSIONS	FINISH
<b>Lazy Daisy Polymer Pie Cut Two Tray Set (Individual Pack)</b>			
RV-LD-2942-18-**-1	2 Shelf Set w/26-31" Telescoping Post	18" Diameter	Polymer
RV-LD-2942-24-**-1	2 Shelf Set w/26-31" Telescoping Post	24" Diameter	Polymer



**R•A•S Polymer**  
**Chrome Shaft and Hub**  
**Independently and Dependently Rotating**  
**Polystyrene Material**



Available in Almond 15 or White 11

**FULL CIRCLE SHELF**



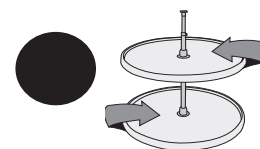
PRODUCT #	DESCRIPTION	PRODUCT DIMENSIONS	FINISH
<b>Full Circle Shelf Sets, Dependently Rotating (Individual Pack)</b>			
RV-6012-18-**-52	2 Shelf Set w/24"-31" (610-788 mm) Telescoping Shaft	18" (457 mm) Diameter	Polymer
RV-6012-20-**-52	2 Shelf Set w/24"-31" (610-788 mm) Telescoping Shaft	20" (510 mm) Diameter	Polymer
RV-6012-24-**-52	2 Shelf Set w/24"-31" (610-788 mm) Telescoping Shaft	24" (610 mm) Diameter	Polymer
RV-6012-28-**-52	2 Shelf Set w/24"-31" (610-788 mm) Telescoping Shaft	28" (712 mm) Diameter	Polymer

**FULL CIRCLE SHELF BULK**



PRODUCT #	DESCRIPTION	PRODUCT DIMENSIONS	FINISH
<b>Full Circle Shelves Only (Bulk Pack)</b>			
RV-6001-18-**-4	Shelves only/Hardware Sold Separately	18" (457 mm) Diameter	Polymer
RV-6001-20-**-4	Shelves only/Hardware Sold Separately	20" (510 mm) Diameter	Polymer
RV-6001-24-**-4	Shelves only/Hardware Sold Separately	24" (610 mm) Diameter	Polymer
RV-6001-28-**-4	Shelves only/Hardware Sold Separately	28" (712 mm) Diameter	Polymer
<b>Hardware (Bulk Pack)</b>			
RV-6022-04-4	Post and Pivot Hardware	24"-31" (610-788 mm)	Zinc
RV-6022-04-426	Post and Pivot Hardware	38"-46" (968-1169 mm)	Zinc

**FULL CIRCLE SHELF**



PRODUCT #	DESCRIPTION	PRODUCT DIMENSIONS	FINISH
<b>Full Circle Lazy Susans and Sets, Independent Rotating (Individual Pack)</b>			
RV-6072-18-**-52	2 Shelf Set w/26"-32" (660-813 mm) Telescoping Shaft	18" (457 mm) Diameter	Polymer
RV-6072-24-**-52	2 Shelf Set w/26"-32" (660-813 mm) Telescoping Shaft	24" (610 mm) Diameter	Polymer
RV-6072-28-**-52	2 Shelf Set w/26"-32" (660-813 mm) Telescoping Shaft	28" (711 mm) Diameter	Polymer
RV-6072-32-**-52	2 Shelf Set w/26"-32" (660-813 mm) Telescoping Shaft	32" (813 mm) Diameter	Polymer
RV-6073-18-**-536	3 Shelf Set w/38"-46" (965-1169 mm) Telescoping Shaft	18" (457 mm) Diameter	Polymer

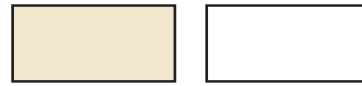


## R•A•S Polymer

### Chrome Shaft and Hub

### Independently and Dependently Rotating

### Polystyrene Material



Available in Almond 15 or White 11

## KIDNEY-SHAPE SHELF



PRODUCT #	DESCRIPTION	PRODUCT DIMENSIONS	FINISH
<b>Single Kidney Shaped Shelf and Bottom Mount Hardware (Individual Pack)</b>			
RV-6471-24-**-52	Single Shelf Only	24" (610 mm) Diameter	Polymer
RV-6472-24-**-52	2 Shelf Set w/26"-32" (660-813 mm) Telescoping Shaft	24" (610 mm) Diameter	Polymer
RV-6472-28-**-52	2 Shelf Set w/26"-32" (660-813 mm) Telescoping Shaft	28" (711 mm) Diameter	Polymer
RV-6472-32-**-52	2 Shelf Set w/26"-32" (660-813 mm) Telescoping Shaft	32" (813 mm) Diameter	Polymer

## PIE-CUT SHELF

*(Attaches to the cabinet door)*



PRODUCT #	DESCRIPTION	PRODUCT DIMENSIONS	FINISH
<b>Pie Cut Shelf Sets (Individual Pack)</b>			
RV-6942-24-**-52	2 Shelf Set	24" (610 mm) Diameter	Polymer
RV-6942-28-**-52	2 Shelf Set	28" (711 mm) Diameter	Polymer

## PIE-CUT SHELF BULK

*(Attaches to the cabinet door)*

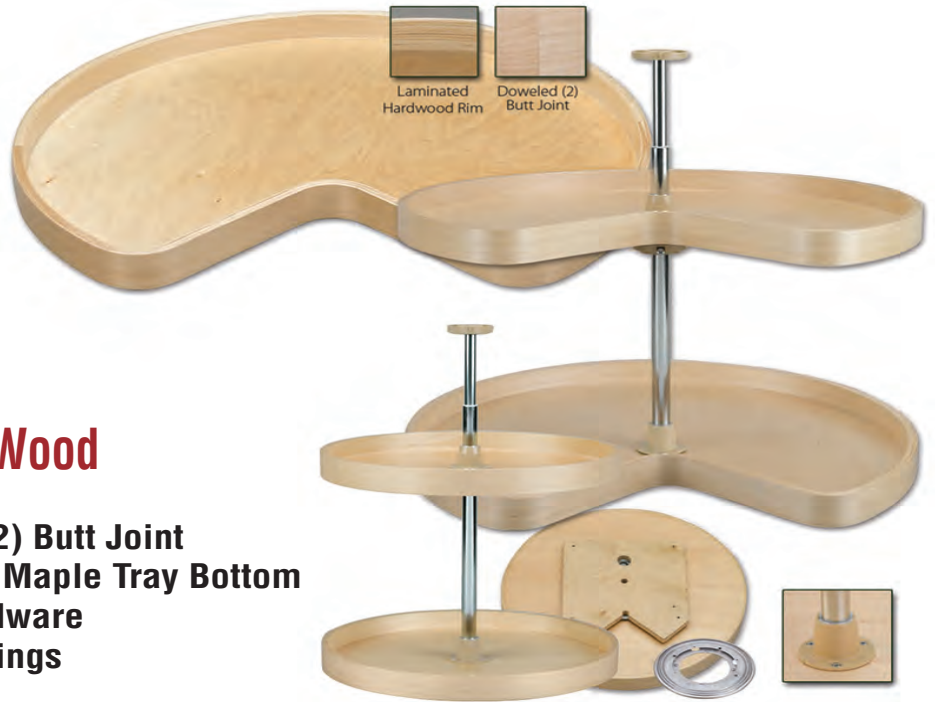


PRODUCT #	DESCRIPTION	PRODUCT DIMENSIONS	FINISH
<b>Pie Cut Shelves Only (Bulk Pack)</b>			
RV-6901-24-**-4	Shelves only/Hardware sold separately	24" (610 mm) Diameter	Polymer
RV-6901-28-**-4	Shelves only/Hardware sold separately	28" (711 mm) Diameter	Polymer
<b>Hardware (Bulk Pack)</b>			
RV-6942-04-4	Post and Pivot Hardware for 24" shelves	26"-32"(660-813 mm)	Zinc
RV-6942-04-28-4	Post and Pivot Hardware for 28" shelves	26"-32"(660-813 mm)	Zinc

## HALF-MOON SHELF



PRODUCT #	DESCRIPTION	PRODUCT DIMENSIONS	FINISH
<b>Half-Moon Shelves, and Sets (Individual Pack)</b>			
RV-6882-31-**-570	2 Shelf Pivot and Slide	13 1/4" (337 mm) Minimum Opening	Polymer
RV-6882-33-**-570	2 Shelf Pivot and Slide	16 1/8" (410 mm) Minimum Opening	Polymer
RV-6882-39-**-570	2 Shelf Pivot and Slide	19 1/4" (489 mm) Minimum Opening	Polymer
<b>Hardware</b>			
RV-6882-1008-04-52	Half Moon Slide Kit (1 Pair)	10 1/2" (267 mm) Extension	Steel



**Banded Wood**  
**2" Rim**  
**Doweled (2) Butt Joint**  
**5/8" Thick Maple Tray Bottom**  
**Along Hardware**  
**Steel Bearings**

## FULL CIRCLE SHELF

PRODUCT #	DESCRIPTION	PRODUCT DIMENSIONS	FINISH
<b>Lazy Daisy Banded Wood Full Circle Two Tray Sets (Individual Pack)</b>			
RV-LD-4BW-062-18-1	2 Shelf Set w/26"-31" Telescoping Shaft	18" (458 mm) Diameter	Wood
RV-LD-4BW-062-20-1	2 Shelf Set w/26"-31" Telescoping Shaft	20" (508 mm) Diameter	Wood
RV-LD-4BW-062-24-1	2 Shelf Set w/26"-31" Telescoping Shaft	24" (610 mm) Diameter	Wood
RV-LD-4BW-062-28-1	2 Shelf Set w/26"-31" Telescoping Shaft	28" (712 mm) Diameter	Wood
RV-LD-4BW-062-32-1	2 Shelf Set w/26"-31" Telescoping Shaft	32" (813 mm) Diameter	Wood
<b>Lazy Daisy Banded Wood Full Circle Three Tray Sets (Individual Pack)</b>			
RV-LD-4BW-063-1836-1	3 Shelf Set w/38"-46" Telescoping Shaft	18" (458 mm) Diameter	Wood
RV-LD-4BW-063-2036-1	3 Shelf Set w/38"-46" Telescoping Shaft	20" (508 mm) Diameter	Wood

\*Note: Non-drilled trays without bearings are available, remove "SB" from product number.

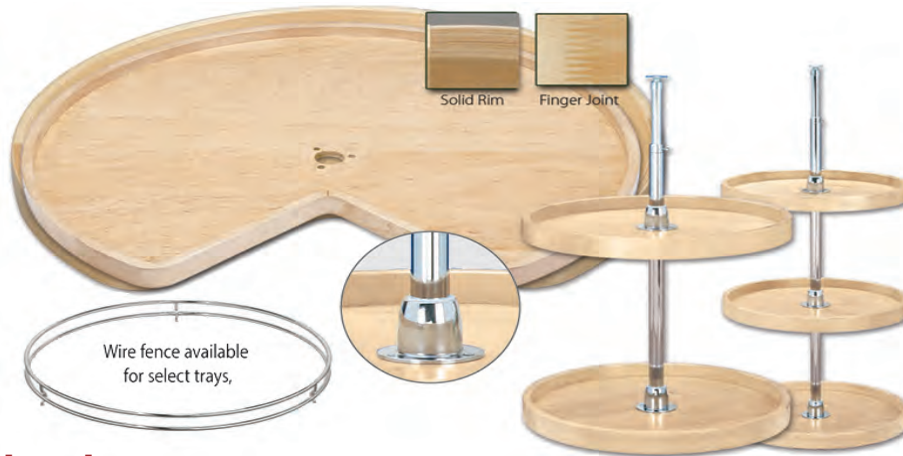
## D-SHAPE SHELF

PRODUCT #	DESCRIPTION	PRODUCT DIMENSIONS	FINISH
<b>Lazy Daisy Banded Wood D-Shape with Steel Bearings (Individual Pack)</b>			
RV-LD-4BW-201-20SBS-1	Single Shelf Set w/7" Steel Bearing	20" (508 mm) Diameter	Wood

## KIDNEY SHAPE SHELF

PRODUCT #	DESCRIPTION	PRODUCT DIMENSIONS	FINISH
<b>Lazy Daisy Banded Wood Kidney Shape with Steel Bearings (Individual Pack)</b>			
RV-LD-4BW-401-28SBS-1	Single Shelf Set w/10" Steel Bearing	28" (712 mm) Diameter	Wood
RV-LD-4BW-401-32SBS-1	Single Shelf Set w/10" Steel Bearing	32" (813 mm) Diameter	Wood
<b>Lazy Daisy Banded Wood Kidney Shape Two Tray Set (Individual Pack)</b>			
RV-LD-4BW-472-24-1	2 Shelf Set w/26"-31" Telescoping Shaft	24" (610 mm) Diameter	Wood
RV-LD-4BW-472-28-1	2 Shelf Set w/26"-31" Telescoping Shaft	28" (712 mm) Diameter	Wood
RV-LD-4BW-472-32-1	2 Shelf Set w/26"-31" Telescoping Shaft	32" (813 mm) Diameter	Wood

\*Note: Non-drilled trays without bearings are available, remove "SBS" from product number.



**Wood Classic**  
**1 5/8" Rim**  
**Finger Joint**  
**5/8" Thick Maple Tray Bottom**  
**Chrome Hardware**  
**Aluminum Bearings**



## FULL CIRCLE SHELF



PRODUCT #	DESCRIPTION	PRODUCT DIMENSIONS	FINISH
<b>Wood Full-Circle Shelf Sets (Individual Pack)</b>			
RV-4WLS001-28-B52	10" Swivel bearing attached to shelf	28" (712 mm) Diameter	Wood
RV-4WLS072-20-52	2 Shelf Set	20" (508 mm) Diameter	Wood
RV-4WLS072-28-52	2 Shelf Set	28" (712 mm) Diameter	Wood
RV-4WLS072-32-52	2 Shelf Set	32" (813 mm) Diameter	Wood
RV-4WLS073-18-536	3 Shelf Set w/Longer Post	18" (457 mm) Diameter	Wood
RV-4WLS073-20-536	3 Shelf Set w/Longer Post	20" (508 mm) Diameter	Wood

## FULL CIRCLE SHELF BULK

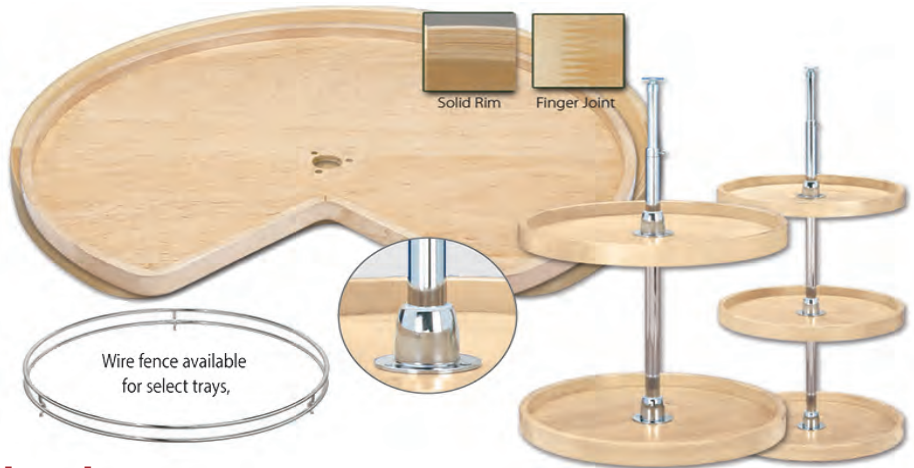


PRODUCT #	DESCRIPTION	PRODUCT DIMENSIONS	FINISH
<b>Wood Full-Circle Shelves (Bulk Pack)</b>			
RV-4WLS001-32-8	Shelves Only NOT Drilled	32" (813 mm) Diameter	Wood
RV-4WLS041-20-8	Shelves Only Drilled for RAS Hardware	20" (508 mm) Diameter	Wood
RV-4WLS041-32-8	Shelves Only Drilled for RAS Hardware	32" (813 mm) Diameter	Wood

## D-SHAPE SHELF



PRODUCT #	DESCRIPTION	PRODUCT DIMENSIONS	FINISH
<b>Wood D-Shape Shelves (Individual Pack)</b>			
RV-4WLS201-20-B552	Swivel bearing w/stop attached to shelf	20" (508 mm) Diameter	Wood
<b>Wood D-Shape 2 Shelf Sets (Individual Pack)</b>			
RV-4WLS272-31-52	2 Shelf Set	31" (787 mm) Diameter	Wood



**Wood Classic**  
**1 5/8" Rim**  
**Finger Joint**  
**5/8" Thick Maple Tray Bottom**  
**Chrome Hardware**  
**Aluminum Bearings**



## D-SHAPE SHELF HARDWARE



PRODUCT #	DESCRIPTION	PRODUCT DIMENSIONS	FINISH
<b>Wood D-Shaped Shelves and Bearing (Bulk Pack)</b>			
RV-4BS-7-8	Lazy Susan Bearing with Stop	7" (178 mm) Diameter Swivel	Aluminum
RV-4BS-10-8	Lazy Susan Bearing with Stop	10" (254 mm) Diameter Swivel	Aluminum

## KIDNEY SHAPED SHELF

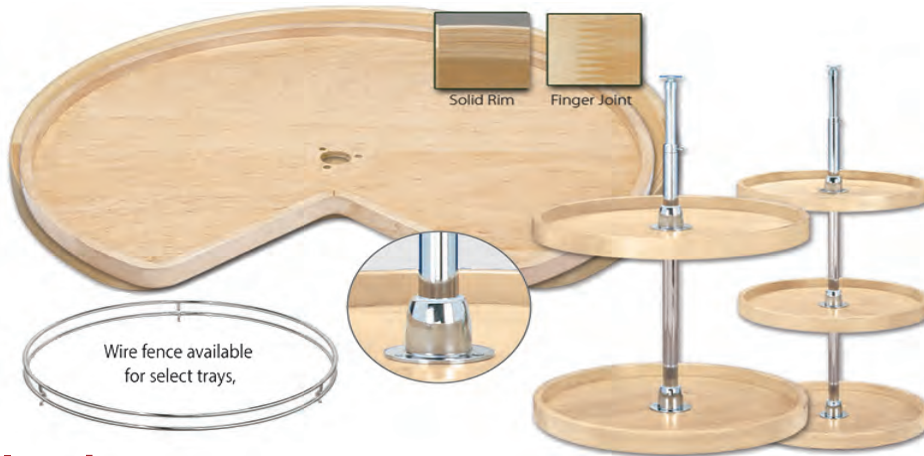


PRODUCT #	DESCRIPTION	PRODUCT DIMENSIONS	FINISH
<b>Wood Kidney Shaped Shelf (Individual Pack)</b>			
RV-4WLS401-24-52	Single Shelf NOT Drilled	24" (610 mm) Diameter	Wood
RV-4WLS401-28-52	Single Shelf NOT Drilled	28" (712 mm) Diameter	Wood
RV-4WLS401-32-52	Single Shelf NOT Drilled	32" (813 mm) Diameter	Wood
<b>Wood Kidney Shelves and Sets (Individual Pack)</b>			
RV-4WLS472-24-52	2 Shelf Set	24" (610 mm) Diameter	Wood
RV-4WLS472-28-52	2 Shelf Set	28" (711 mm) Diameter	Wood
RV-4WLS472-32-52	2 Shelf Set	32" (813 mm) Diameter	Wood

## KIDNEY SHAPED SHELF BULK



PRODUCT #	DESCRIPTION	PRODUCT DIMENSIONS	FINISH
<b>Wood Kidney Shaped Shelves (Bulk Pack)</b>			
RV-4WLS401-24-8	Shelves NOT Drilled for RAS Hardware	24" (610 mm) Diameter	Wood
RV-4WLS401-28-8	Shelves NOT Drilled for RAS Hardware	28" (712 mm) Diameter	Wood
RV-4WLS401-32-8	Shelves NOT Drilled for RAS Hardware	32" (813 mm) Diameter	Wood



**Wood Classic**  
**1 5/8" Rim**  
**Finger Joint**  
**5/8" Thick Maple Tray Bottom**  
**Chrome Hardware**  
**Aluminum Bearings**



**HALF-MOON SHELVES**



PRODUCT #	DESCRIPTION	PRODUCT DIMENSIONS	FINISH
<b>Wood Half-Moon Sets (Individual Pack)</b>			
RV-4WLS882-32-570	Two Shelves with Pivot and Slide Hardware	32" (813 mm)W	Min. Framed Opening 12" Wood
RV-4WLS882-38-570	Two Shelves with Pivot and Slide Hardware	38" (965 mm)W	Min. Framed Opening 18" Wood

**PIE-CUT SHELVES**  
 (Attaches to the cabinet door)



PRODUCT #	DESCRIPTION	PRODUCT DIMENSIONS	FINISH
<b>Wood Pie-Cut Shelves and Sets (Individual Pack)</b>			
RV-4WLS901-31-52	Shelf Drilled for RAS Hardware	31" (788 mm) Diameter	Wood
RV-4WLS942-31P-52	2 Shelf Set	31" (788 mm) Diameter	Wood

**PIE-CUT SHELVES BULK**  
 (Attaches to the cabinet door)



PRODUCT #	DESCRIPTION	PRODUCT DIMENSIONS	FINISH
<b>Wood Pie-Cut Shelves (Bulk Pack)</b>			
RV-4WLS901-24-8	Shelves only/Hardware sold separately	24" (607 mm) Diameter	Wood

**PIE-CUT HARDWARE**



PRODUCT #	DESCRIPTION	PRODUCT DIMENSIONS	FINISH
<b>Hardware</b>			
RV-4WLS940-04P-24-4	Post and Pivot Hardware for 24" shelves	26"-32" (660-813 mm)	Chrome
RV-4WLS940-04P-28-4	Post and Pivot Hardware for 28" shelves	26"-32" (660-813 mm)	Chrome





**Natural Wood**  
**2 3/8" Steam Bent Rim**  
**Doweled (2) Butt Joint**  
**5/8" Thick Maple Tray Bottom**  
**Chrome Hardware**  
**Aluminum Bearings**

## FULL-CIRCLE SHELF



PRODUCT #	DESCRIPTION	PRODUCT DIMENSIONS	FINISH
<b>Lazy Daisy Natural Wood Full Circle with Aluminum Bearing (Individual Pack)</b>			
RV-LD-4NW-001-24B-1	Natural Wood Full Circle Tray w/10" Alum Bearing	24" Diameter	Wood
<b>Lazy Daisy Natural Wood Full Circle Two Tray Set (Individual Pack)</b>			
RV-LD-4NW-072-18-1	Natural Wood Full Circle 2 Tray Set w/Hdw	18" Diameter	Wood
RV-LD-4NW-072-24-1	Natural Wood Full Circle 2 Tray Set w/26"-32" Tele Shaft	24" Diameter	Wood
RV-LD-4NW-072-28-1	Natural Wood Full Circle 2 Tray Set w/26"-32" Tele Shaft	28" Diameter	Wood
RV-LD-4NW-072-32-1	Natural Wood Full Circle 2 Tray Set w/26"-32" Tele Shaft	32" Diameter	Wood

## PIE-CUT SHELF



PRODUCT #	DESCRIPTION	PRODUCT DIMENSIONS	FINISH
<b>Lazy Daisy Natural Wood Pie Cut Set (Individual Pack)</b>			
RV-LD-4NW-942-28-1	Natural Wood Pie Cut 2 Tray Set w/Hdw	28" Diameter	Wood

## KIDNEY SHAPED SHELF



PRODUCT #	DESCRIPTION	PRODUCT DIMENSIONS	FINISH
<b>Lazy Daisy Natural Wood Kidney with Aluminum Bearing (Individual Pack)</b>			
RV-LD-4NW-401-32BS-1	32" LD Natural Wood Kidney Tray w/Alum Bearing	32" Diameter	Wood
<b>Lazy Daisy Natural Wood Kidney Two Tray Set (Individual Pack)</b>			
RV-LD-4NW-472-28-1	28" LD Natural Wood Kidney 2 Tray Set w/26"-32" Tele Shaft	28" Diameter	Wood
RV-LD-4NW-472-32-1	32" LD Natural Wood Kidney 2 Tray Set w/26"-32" Tele Shaft	32" Diameter	Wood

\*Note: Non-drilled trays without bearings are available, remove "BS" from product number.

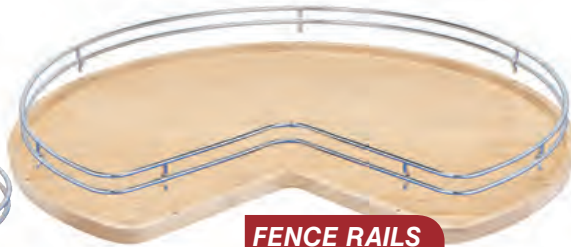
## KIDNEY SHAPED SHELF BULK



PRODUCT #	DESCRIPTION	PRODUCT DIMENSIONS	FINISH
<b>Lazy Daisy Natural Wood Tall Kidney Trays Only (Bulk Pack)</b>			
RV-LD-4NW-441-28T-6	28" LD Natural Wood Drilled Kidney Tall Rim Tray 6 Per	28" Diameter	Wood

# SPECIAL ORDER

## 5LSF SERIES CHROME FENCE RAILING



**FENCE RAILS  
ARE 2" TALL**

**DESIGNED TO FIT REV-A-SHELF'S  
4WLS LAZY SUSAN  
OR YOUR CUSTOM SHELVES!**

Recommended hole dimensions are  $\frac{3}{16}$ " diameter by  $\frac{1}{2}$ " deep

PRODUCT #	DESCRIPTION	PRODUCT DIMENSIONS	FINISH
<b>Full Circle Chrome Fence Rail (Individual Pack)</b>			
RV-5LSF028-CR	Full Circle Chrome Fence Rail	28" (711 mm) Diameter	Chrome
RV-5LSF032-CR	Full Circle Chrome Fence Rail	32" (813 mm) Diameter	Chrome



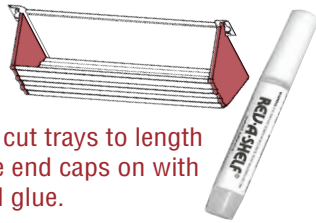
## HARDWARE COMPONENTS

Rev-A-Shelf Hardware Kits for wood or melamine custom shelving are tested to meet and exceed BHMA Class-I specifications of 20 lbs. per square foot at 100,000 cycles. Our hardware and hardware components allow maximum flexibility, strength and aesthetic value for all custom applications.

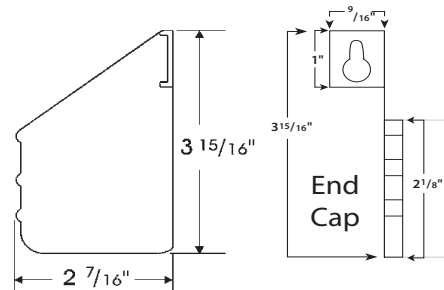
PRODUCT #	DESCRIPTION	PRODUCT DIMENSIONS	FINISH
<b>Shelf Support for Full Circle Shelves (Individual Pack)</b>			
RV-6000-07P-52	Full Circle Shelf Support		Polymer

## 6551 SERIES SINK FRONT (TIP-OUT) TRAYS

- Can be trimmed to the desired length
- Includes molded polymer end caps
- Key-shaped holes for easy removal and cleaning
- Can be used as a tip-out tray or a spice rack
- Available in white or almond



Custom cut trays to length and glue end caps on with included glue.



PRODUCT #	DESCRIPTION	DIMENSIONS	FINISH
<b>36" Tray with Hinges and End Caps (Individual Pack)</b>			
RV-6551-36-**-52	1 Tray - 2 Pair Hinges & End Caps	36" (914 mm) W x 2 7/16" (62 mm) D x 3 15/16" (100 mm) H	Polymer Trays

## 65\*\* SERIES SINK FRONT (TIP-OUT) TRAYS

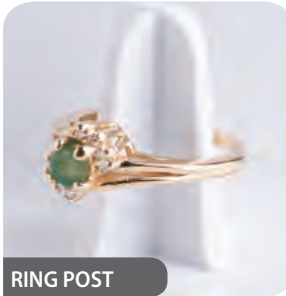
- Available in white or almond
- Includes one conventional open tray, one accessory tray with ring holder and soap dish
- Two pairs of Self-Holdin® hinges included
- Constructed of high-impact polystyrene



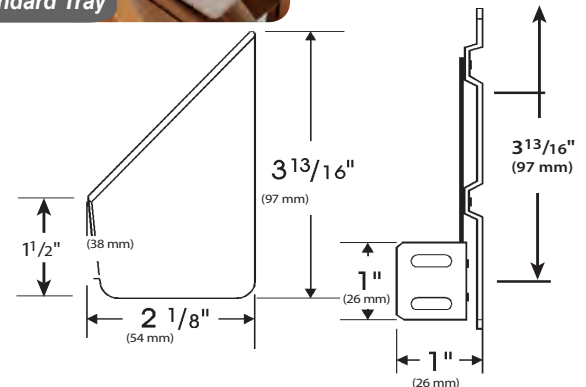
Standard Tray



Accessory Tray



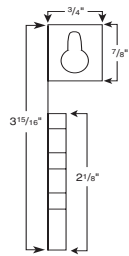
RING POST



PRODUCT #	DESCRIPTION	DIMENSIONS	FINISH
<b>Sink Front Tip-Out Tray System (Std./Acc.) (Individual Pack)</b>			
RV-6572-11-**-52	Std/Acc Trays with Hinges	11" (280 mm) W x 2 1/8" (54 mm) D x 3 13/16" (97 mm) H	Polymer Trays
RV-6572-14-**-52	Std/Acc Trays with Hinges	14" (356 mm) W x 2 1/8" (54 mm) D x 3 13/16" (97 mm) H	Polymer Trays
<b>False Front Tip-Out Tray System (Std./Acc.) (Bulk Pack)</b>			
RV-6572-11-**-4	Std/Acc Trays with Hinges	11" (280 mm) W x 2 1/8" (54 mm) D x 3 13/16" (97 mm) H	Polymer Trays
RV-6572-14-**-4	Std/Acc Trays with Hinges	14" (356 mm) W x 2 1/8" (54 mm) D x 3 13/16" (97 mm) H	Polymer Trays
<b>False Front Tip-Out Trays (Bulk Pack)</b>			
RV-6581-11-**-4	Standard Trays	11" (280 mm) W x 2 1/8" (54 mm) D x 3 13/16" (97 mm) H	Polymer Tray
RV-6581-14-**-4	Standard Trays	14" (356 mm) W x 2 1/8" (54 mm) D x 3 13/16" (97 mm) H	Polymer Tray
RV-6591-11-**-4	Accessory Trays	11" (280 mm) W x 2 1/8" (54 mm) D x 3 13/16" (97 mm) H	Polymer Tray
RV-6591-14-**-4	Accessory Trays	14" (356 mm) W x 2 1/8" (54 mm) D x 3 13/16" (97 mm) H	Polymer Tray

## 654\* SLIM SERIES SINK FRONT (TIP-OUT) TRAYS

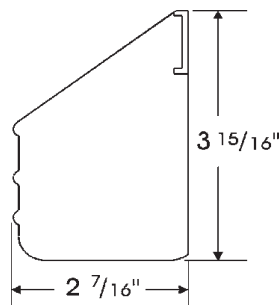
- Slim Series is designed to accommodate minimum clearance openings
- Perfect for hiding sponges and scouring pads out of sight
- Available in white or almond



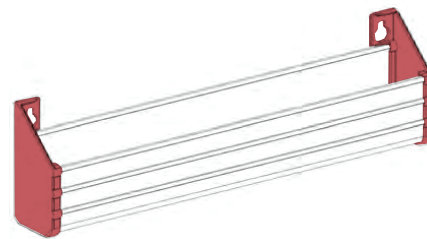
**END CAP**



**SLIM SERIES**



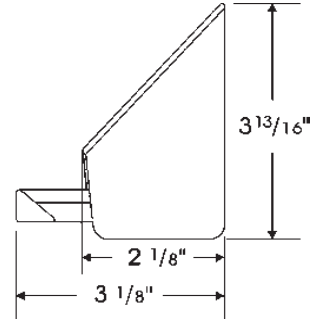
**6551 SERIES**



PRODUCT #	DESCRIPTION	DIMENSIONS	FINISH
<b>Slim Series w/ Hinges (Individual Pack)</b>			
RV-6542-14-**-52	Tip-Out Trays with Hinges	14" (360 mm) W x 1 1/16" (42 mm) D x 3 15/16" (100 mm) H	Polymer Trays
<b>20 - 2 Tray Sets with 40 Pr. of Hinges (Bulk Pack)</b>			
RV-6542-11-**-4	Tip-Out Trays with Hinges	11" (280 mm) W x 1 1/16" (42 mm) D x 3 15/16" (100 mm) H	Polymer Trays
<b>Kits and Components</b>			
RV-6541-36-**-52	Tray, End Caps, 2 pr. Hinges	36" (914 mm) W x 1 1/16" (42 mm) D x 3 15/16" (100 mm) H	Polymer Trays
RV-6541-36-**-50	Tray, End Caps, 1 pr. Hinges	36" (914 mm) W x 1 1/16" (42 mm) D x 3 15/16" (100 mm) H	Polymer Trays
<b>Trays with Soft-Close Hinges (Individual Pack)</b>			
RV-6541-36SC-11-50	36" Slim Series Tray, Soft-Close Hinge, End Cap	36" (914 mm) W x 1 1/16" (42 mm) D x 3 15/16" (100 mm) H	White

## 6562 SERIES TIP-OUT TRAYS WITH TAB STOPS

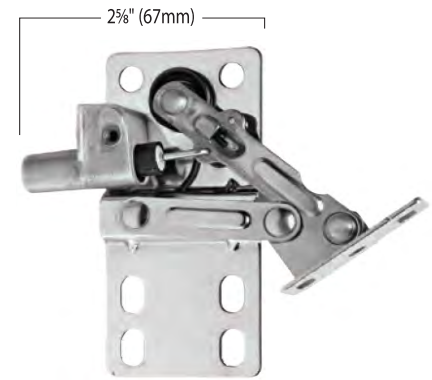
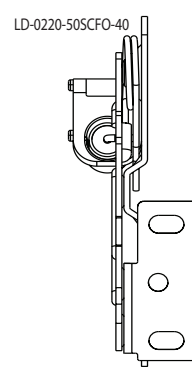
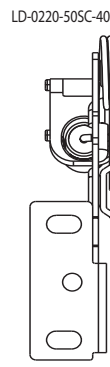
- Affordable alternative to the conventional tray systems
- Installs easily with standard hinges
- Features high-resistant tabs to prevent easy breaking



PRODUCT #	DESCRIPTION	DIMENSIONS	FINISH
<b>Trays with Tab Stops (Individual Pack)</b>			
RV-6562-14-**-52	Two 14" Trays with Tab Stops	15 1/2" (394 mm) W x 2 1/8" (54 mm) D x 3 13/16" (97 mm) H	Polymer Trays

## LD-0220 SERIES SOFT-CLOSE TIP-OUT HINGES

- 50-degree opening
- Eliminates slamming
- Stiffening ribs provide extra stability and eliminate side play



SOFT-CLOSE TIP-OUT HINGE

SOFT-CLOSE TIP-OUT HINGE FOR FULL OVERLAY DOOR

PRODUCT #	DESCRIPTION	DIMENSIONS	FINISH
<b>Soft-Close Pivot Hinges (Bulk Pack)</b>			
RV-LD-0220-50SC-40	Soft-Close Tip-Out Hinge	1" (26 mm) W x 2 5/8" (67 mm) D x 3 7/8" (99 mm) H	Metal
RV-LD-0220-50SCFO-40	Soft-Close Tip Out Hinge for Full Overlay	1 1/4" (32 mm) W x 2 5/8" (67 mm) D x 3 7/8" (99 mm) H	Metal

## LD-0220 SERIES 45-DEGREE PIVOT HINGE

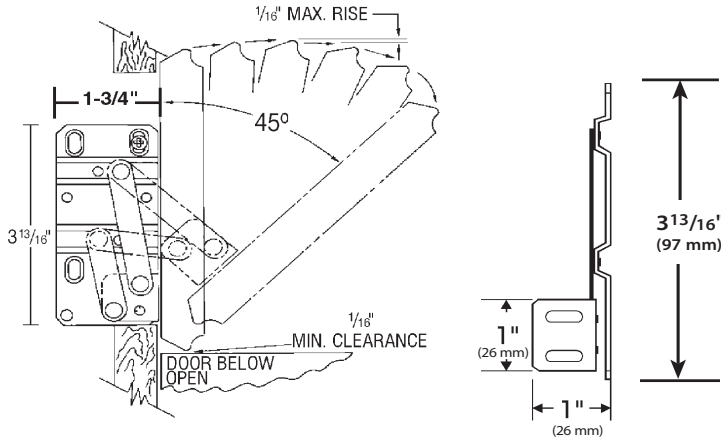
- Face frame or frameless compatible
- Spring design closes firmly and stays closed
- Stiffening ribs provide extra stability



PRODUCT #	DESCRIPTION	DIMENSIONS	FINISH
<b>Pivot Hinges (Bulk Pack)</b>			
RV-LD-0220-45-40	45-degree Pivot Hinge	1" (26 mm) W x 1 3/4" (45 mm) D x 3 7/8" (99 mm) H	Metal

## 6552 SERIES SELF-HOLDIN® (TIP-OUT) TRAY HINGES

- Features a unique self-closing spring to keep false fronts securely closed



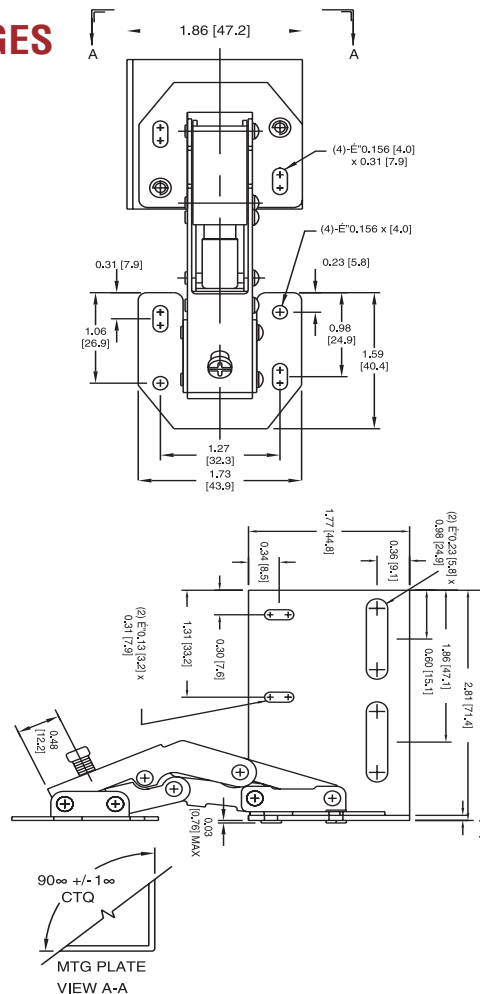
PRODUCT #	DESCRIPTION	DIMENSIONS	FINISH
-----------	-------------	------------	--------

### Tip-Out (Self-Holdin®) Hinges (Bulk Pack)

RV-6552-95-0220-4 Hinges For Tip-Out Trays (16" and longer) 1" (26 mm) W x 1 3/4" (45 mm) D x 3 13/16" (97 mm) H Metal

## 6552 SERIES ETH SERIES (TIP-OUT) TRAY HINGES

- Designed for long sink front false panels
- Features an adjustable opening of 45 to 90 degrees



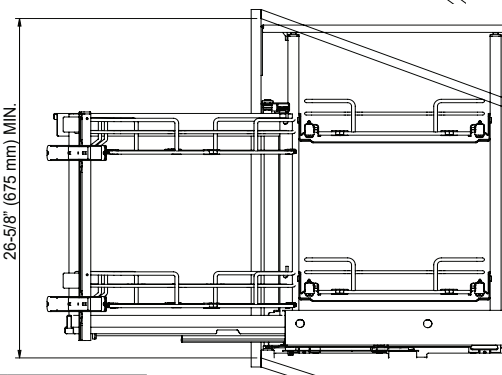
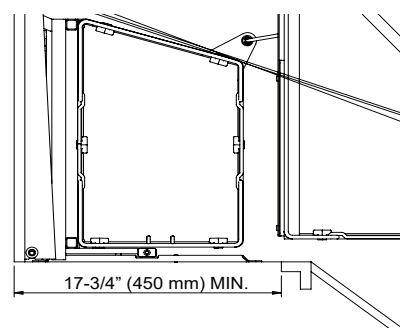
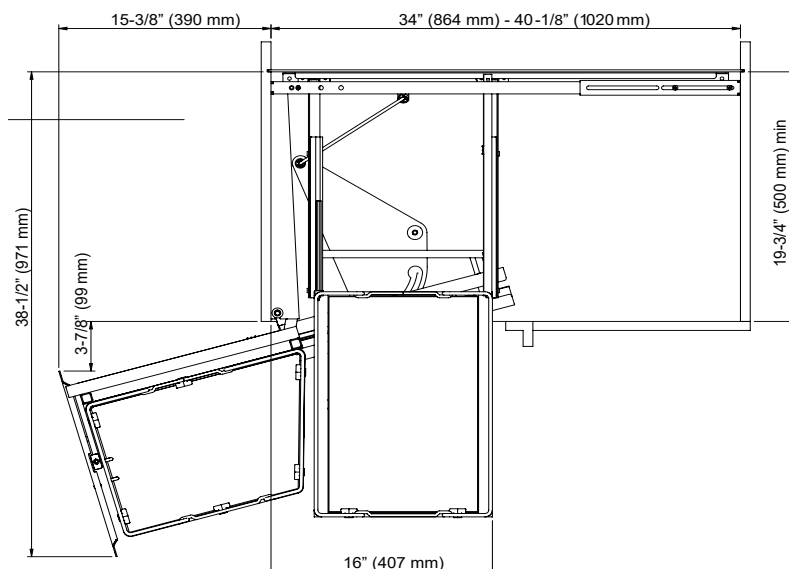
PRODUCT #	DESCRIPTION	DIMENSIONS	FINISH
-----------	-------------	------------	--------

### Euro Hinges (Bulk Pack)

RV-6552-ETH-10 Euro Hinges See Illustration Chrome

## 599 SERIES MAPLE BLIND CORNER

- Designed for full height blind corner cabinet
- Available for left or right hand blind corners
- As you pull open the cabinet door the rear baskets automatically move into sight
- Each rear basket operates independently
- Shelves feature Stylinox™, an anti-skid transparent coating that not only prevents skidding, but protects the wood from damage
- Features soft-close slides
- Carb II compliant



PRODUCT #	SURFACE AREA
599-18-L/RMP	726 sq. in.

PRODUCT #	DESCRIPTION	DIMENSIONS	FINISH
-----------	-------------	------------	--------

Blind Corner Organizer (Individual Pack)

RV-599-18-RMP Two-Tier Right Door Mount for Blind Left Corner Cabinet See Drawings Maple/Chrome

## 5PSP SERIES BLIND CORNER OPTIMIZERS

- Fits most 45" and 48" blind corner cabinets
- Available in regular and soft-close
- Non-handed (works with blind right and left cabinets)
- Two-tier and three-tier heights available
- Easy to assemble
- First set of baskets slide out and over, allowing access to the rear baskets that also pull out



PRODUCT #	DESCRIPTION	DIMENSIONS	FINISH
-----------	-------------	------------	--------

Blind Corner Optimizer - Non-Handed (Individual Pack)

RV-5PSP-15-CR Blind Corner Optimizer - Non-Handed

26 1/4" (667 mm) W x 20 1/4" (514 mm) D x 21" (533 mm) H

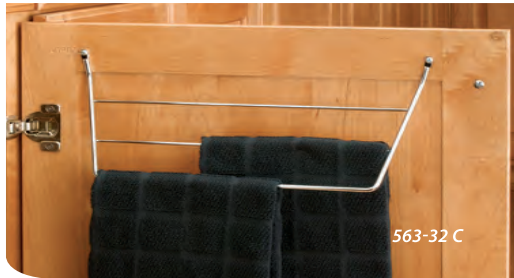
Chrome

## 563 SERIES

### TOWEL HOLDER AND PULLOUT TOWEL BAR

#### 563-32 Towel Holder

- Fastens to any cabinet door
- Stores up to three dish towels
- Available in white or chrome



563-32 C

#### 563-47 Pullout Towel Bar

- Stores up to three dish towels
- Prongs slide out of the cabinet 12"
- Available in white or chrome
- Features universal brackets for right or left hand mounting



563-47



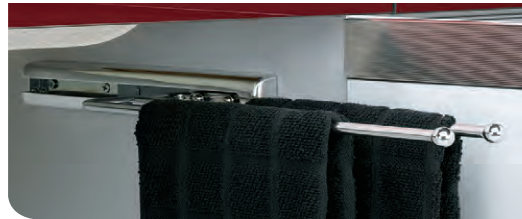
563-47 C

PRODUCT #	DESCRIPTION	DIMENSIONS	FINISH
<b>Towel Holders (Individual Pack)</b>			
RV-563-32	Towel Holder	12 <sup>3</sup> / <sub>4</sub> " (324 mm) W x 3 <sup>1</sup> / <sub>2</sub> " (89 mm) D x 6 <sup>1</sup> / <sub>2</sub> " (165 mm) H	White
RV-563-32C	Towel Holder	12 <sup>3</sup> / <sub>4</sub> " (324 mm) W x 3 <sup>1</sup> / <sub>2</sub> " (89 mm) D x 6 <sup>1</sup> / <sub>2</sub> " (165 mm) H	Chrome
RV-563-47	3 Prong Towel Bar	5" (127 mm) W x 17 <sup>3</sup> / <sub>4</sub> " (451 mm) D x 1 <sup>1</sup> / <sub>4</sub> " (32 mm) H	White
RV-563-47C	3 Prong Towel Bar	5" (127 mm) W x 17 <sup>3</sup> / <sub>4</sub> " (451 mm) D x 1 <sup>1</sup> / <sub>4</sub> " (32 mm) H	Chrome

## 563 SERIES

### PULLOUT TOWEL BAR

- Left or right hand mounting capabilities
- Features a ball-bearing slide
- Stores up to two towels
- Easy four-screw installation



PRODUCT #	DESCRIPTION	DIMENSIONS	FINISH
<b>Towel Holder (Individual Pack)</b>			
RV-563-51-C	2 Prong Towel Bar	3 <sup>7</sup> / <sub>8</sub> " (99 mm) W x 12 <sup>7</sup> / <sub>8</sub> " (327 mm) D x 1 <sup>1</sup> / <sub>2</sub> " (38 mm) H	Chrome

## SBDT SERIES

### DRIP TRAY

- Designed for installation in new 30", 36" and 40" sink base cabinet construction
- Can be cut down to fit a 27", 33" or 39" cabinets
- Protects the bottom of your cabinet from spills
- Funnels excessive water out of the front of your cabinet



PRODUCT #	DESCRIPTION	DIMENSIONS	MINIMUM TRIM	FINISH
<b>Drip Tray (Individual Pack)</b>				
RV-SBDT-3336-A-1	Drip Tray	34 <sup>1</sup> / <sub>2</sub> " (877 mm) W x 23 <sup>1</sup> / <sub>4</sub> " (591 mm) D x 3 <sup>4</sup> / <sub>4</sub> " (19 mm) H	31 <sup>1</sup> / <sub>2</sub> " (800 mm) x 21 <sup>1</sup> / <sub>2</sub> " (546 mm)	Almond



## RL SERIES CABINET SECURITY REV•A•LOCK®

- Powerful magnetic locks that can attach to wood, glass, metal, and particle board cabinets for a guaranteed safeguard from curious little hands
- To open, hold the magnetic key against the cabinet door to disengage the lock
- Features an unlocking device that disables the lock



PRODUCT #	DESCRIPTION	FINISH
<b>Rev-A-Lock Cabinet Security (Components)</b>		
RV-RL-201-1	Lock Assembly	White Polymer
RV-RL-202-1	Magnetic Key	White Polymer

## 544 SERIES UNDER SINK CLEANING CADDY

- Store multiple cleaning items in this removable caddy
- Unique handle adjusts to accommodate plumbing fixtures
- Reversible/removable top tray



PRODUCT #	DESCRIPTION	DIMENSIONS	FINISH
<b>Under sink Chrome Basket (Individual Pack)</b>			
RV-544-10C-1	Under Sink Chrome Basket	11¼" (286 mm) W x 16¼" (413 mm) D x 19½" (498 mm) H	Chrome

## 596 SERIES U-SHAPED TRAY DIVIDER

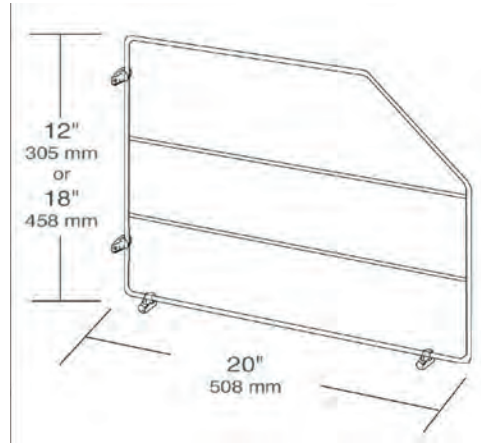
- Suitable for wall or base cabinets
- Heavy duty chrome wire
- Use one or more to create custom storage space
- Simple four screw installation

PRODUCT #	DESCRIPTION	DIMENSIONS	FINISH
<b>U-Shaped Tray Divider (Individual Pack)</b>			
RV-596-10CR-52	U-Shaped Tray Divider	3" (76 mm) W x 11⅞" (302 mm) D x 10" (254 mm) H	Chrome



## 597 SERIES TRAY DIVIDERS WITH CLIPS

- Available in 12" and 18" height
- Available in white or chrome
- Includes four screw-in clips and fasteners



PRODUCT #	DESCRIPTION	DIMENSIONS	FINISH
<b>Tray Divider (White Wire) (Bulk Pack)</b>			
RV-597-12-10	Tray Divider with Clips	¾" (19 mm) W x 20" (508 mm) D x 12" (305 mm) H	White Wire
RV-597-18-10	Tray Divider with Clips	¾" (19 mm) W x 20" (508 mm) D x 18" (458 mm) H	White Wire
<b>Tray Divider (Chrome Wire) (Bulk Pack)</b>			
RV-597-12CR-10	Tray Divider with Clips	¾" (19 mm) W x 20" (508 mm) D x 12" (305 mm) H	Chrome Wire
RV-597-18CR-10	Tray Divider with Clips	¾" (19 mm) W x 20" (508 mm) D x 18" (458 mm) H	Chrome Wire

## 5WB SERIES TWO-TIER CHROME BASKETS

- Features full-extension, ball-bearing slides
- Heavy duty chrome plated baskets
- Simple installation
- Telescoping rear mounting bracket
- Features u-shaped support bracket
- Can be rear, side and bottom mounted



PRODUCT #	DESCRIPTION	DIMENSIONS	MINIMUM OPENING	FINISH
<b>Two-Tier Chrome Pullout Basket (Individual Pack)</b>				
RV-5WB2-0918-CR	9" Two-Tier Pullout Wire Basket	8¾" (222 mm) W x 18" (457 mm) D x 19" (483 mm) H	8½" (216 mm)	Chrome
RV-5WB2-2122-CR	21" Two-Tier Pullout Wire Basket	20¾" (527 mm) W x 21¼" (550 mm) D x 19" (483 mm) H	20½" (521 mm)	Chrome

## 5CW2 SERIES TWO-TIER COOKWARE ORGANIZER

- Designed for base 15" or 24" cabinets
- Glides effortlessly on 100 lb. rated full-extension, ball-bearing slides
- Features independently operating shelves that accommodate a variety of cookware sizes and brands
- Top tier organizes lids
- Bottom tier features adjustable dividers to store a variety of larger pots and pans
- Made with a heavy duty chrome plated wire frame
- Bottom, side, and rear mounts



5CW2-2122-CR

PRODUCT #	DESCRIPTION	DIMENSIONS	MINIMUM OPENING	FINISH
<b>Two-Tier Cookware Organizer (Individual Pack)</b>				
RV-5CW2-2122-CR	21" Two-Tier Cookware Organizer	20 <sup>3</sup> / <sub>4</sub> " (527 mm) W x 22" (559 mm) D x 18 <sup>1</sup> / <sub>8</sub> " (460 mm) H	20 <sup>1</sup> / <sub>2</sub> " (521 mm)	Chrome

## 4SBSU SERIES SINK BASE DOOR STORAGE

- Available in three sizes for sink base 30", 36" and 42"
- Brackets provide installation flexibility up to 5"
- Features patented adjustable door mount brackets
- UV cured maple with clear finish
- Carb II compliant



PRODUCT #	DESCRIPTION	DIMENSIONS	MINIMUM OPENING	FINISH
<b>Sink Base Door Storage (Individual Pack)</b>				
RV-4SBSU-15	Sink Storage Shelving System	10 <sup>1</sup> / <sub>2</sub> " (267 mm) W x 5" (127 mm) D x 18 <sup>1</sup> / <sub>2</sub> " (470 mm) H	11 <sup>3</sup> / <sub>8</sub> " (295 mm)	Wood
RV-4SBSU-18	Sink Storage Shelving System	13 <sup>1</sup> / <sub>2</sub> " (343 mm) W x 5" (127 mm) D x 18 <sup>1</sup> / <sub>2</sub> " (470 mm) H	14 <sup>3</sup> / <sub>8</sub> " (366 mm)	Wood
RV-4SBSU-21	Sink Storage Shelving System	16 <sup>1</sup> / <sub>2</sub> " (419 mm) W x 5" (127 mm) D x 18 <sup>1</sup> / <sub>2</sub> " (470 mm) H	17 <sup>1</sup> / <sub>4</sub> " (439 mm)	Wood

## 432 SERIES BASE CABINET FILLERS

- Available for 3", 6" and 9" base filler applications
- Full-extension, ball-bearing slides
- Three slide design provides stability
- Create a functional storage space behind those decorative panels
- Features adjustable shelves with chrome rails
- Carb II compliant



PRODUCT #	DESCRIPTION	DIMENSIONS	FINISH
<b>Base Filler Organizer (Individual Pack)</b>			
RV-432-BF-3C	3" Filler Organizer	3" (76 mm) W x 23" (584 mm) D x 30" (762 mm) H	Wood
RV-432-BF-6C	6" Filler Organizer	6" (152 mm) W x 23" (584 mm) D x 30" (762 mm) H	Wood
RV-432-BF-9C	9" Filler Organizer	9" (229 mm) W x 23" (584 mm) D x 30" (762 mm) H	Wood

## 432-BFBBSC SERIES SOFT-CLOSE BASE CABINET FILLERS

- Full-extension soft-close, ball-bearing slides
- Three slide design provides stability for 6" filler
- Features adjustable shelves with chrome rails
- Create a functional storage space behind decorative panels
- Carb II compliant



PRODUCT #	DESCRIPTION	DIMENSIONS	FINISH
<i>Soft-Close Base Filler Organizer (Individual Pack)</i>			
RV-432-BFBBSC-3C	3" Filler Organizer with Soft-Close	3" (76 mm) W x 23" (584 mm) D x 30" (762 mm) H	Wood

## 432-BFSC SERIES BLUM® SOFT-CLOSE BASE CABINET FILLERS

- Features adjustable shelves with chrome rails
- Middle shelf is solid for extra support
- BLUMOTION soft-close slides
- Create a functional storage space behind those decorative panels
- Carb II compliant



PRODUCT #	DESCRIPTION	DIMENSIONS	FINISH
<i>Soft-Close Base Filler Organizer (Individual Pack)</i>			
RV-432-BFSC-3C	3" Filler Organizer with Blum Soft-Close	3" (76 mm) W x 23" (584 mm) D x 30" (762 mm) H	Wood

## 434 SERIES SOFT-CLOSE BASE CABINET FILLERS

- Features full-extension, ball-bearing, soft-close slides
- Magnetic grade stainless steel panel and a variety of accessory hooks and pegs included
- Additional accessory hooks can be purchased separately
- Carb II compliant



PRODUCT #	DESCRIPTION	DIMENSIONS	FINISH
<i>Base Filler Organizer with Stainless Panel (Individual Pack)</i>			
RV-434-BF-6SS	6" Filler Organizer	6" (152 mm) W x 23" (584 mm) D x 30" (762 mm) H	Wood

## 438 SERIES WOOD BASE ORGANIZERS

- Designed for full height 6" and 9" base cabinets
- Can be trimmed to 26-3/8" height for custom cabinet construction
- Glides on 100 lb. full-extension, ball-bearing slides
- Fully assembled
- Adjustable shelves
- Beautiful maple construction with chrome accents
- Designed with top slide for complete stability
- Can also be installed into a frameless cabinet
- Carb II compliant



PRODUCT #	DESCRIPTION	DIMENSIONS	MINIMUM OPENING	FINISH
RV-438-BC-3C	Base Organizer for Base 6"	3" (76 mm) W x 23" (584 mm) D x 27 <sup>5</sup> / <sub>16</sub> " (686 mm) H	3"	Wood
RV-438-BC-6C	Base Organizer for Base 9"	6" (153 mm) W x 23" (584 mm) D x 27 <sup>5</sup> / <sub>16</sub> " (686 mm) H	6"	Wood

## 448 SERIES BLUM® SOFT-CLOSE BASE ORGANIZER

- Designed for 9", 12", 15" and 18" full height base cabinets and 12" and 15" face frame drawer/door base cabinets
- Full-extension BLUMOTION soft-close slides
- Door mounting is easy with our patented door mount brackets
- Brackets provide 5" of adjustability
- Adjustable shelves with chrome rails
- Includes adjustable rub bushings
- Constructed from maple with a UV clear coat finish



PRODUCT #	DESCRIPTION	DIMENSIONS	FINISH
-----------	-------------	------------	--------

### Soft-Close Base Organizer (Individual Pack)

RV-448-BCSC-5C	Base Organizer w/Blum Soft-Close		Wood
RV-448-BCSC-8C	Base Organizer w/Blum Soft-Close		Wood
RV-448-BCSC-11C	Base Organizer w/Blum Soft-Close		Wood

## 448 SERIES PULL-OUT BASE ORGANIZER

### All Units:

- Door mounting is easy with our patented door mount brackets
- Brackets provide 5" of adjustability
- Adjustable shelves with chrome rails
- Constructed from maple with a UV clear coat finish
- Carb II compliant

### Soft-Close Units:

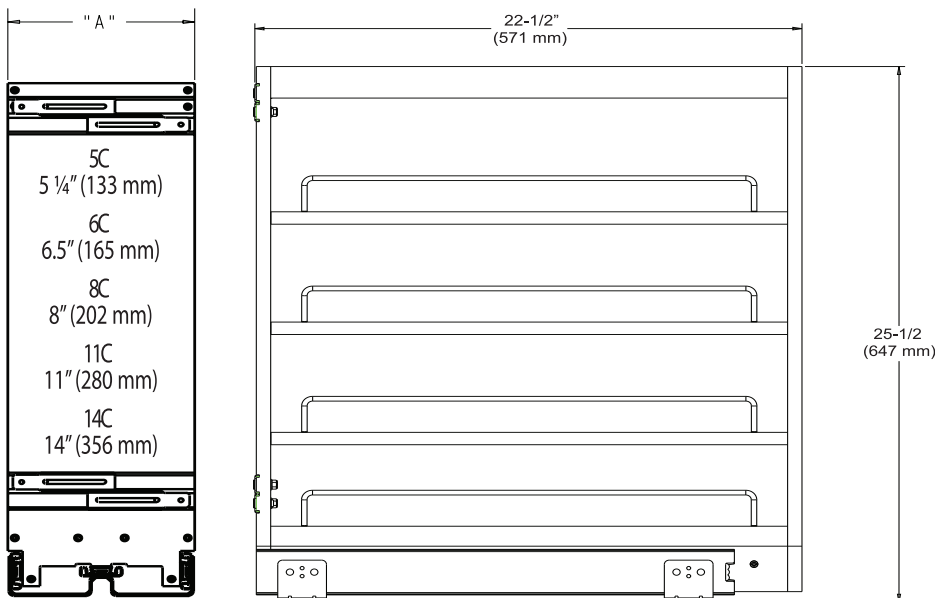
- Designed for 9" and 12" full height face frame base cabinets
- Soft-close, ball-bearing slides
- Includes adjustable rub bushings

### Ball-Bearing Units:

- Designed for 9", 12" and 15" full height face frame base cabinets, and 9" full height frameless cabinets
- Feature our patented "tri-slides" which minimize any side-to-side motion



PRODUCT #	DESCRIPTION	DIMENSIONS	FINISH
<b>Soft-Close Base Organizer (Individual Pack)</b>			
RV-448-BCBBS-5C	Base Organizer with Soft-Close	5¼" (134 mm) W x 21¾" (553 mm) D x 25½"-29½" (648-750 mm) H	Wood
RV-448-BCBBS-8C	Base Organizer with Soft-Close	8" (203 mm) W x 21¾" (553 mm) D x 25½"-29½" (648-750 mm) H	Wood
<b>Base Organizer (Individual Pack)</b>			
RV-448-BC-5C	Base Organizer	See Detailed Specifications below	Wood
RV-448-BC-6C	Frameless Organizer	See Detailed Specifications below	Wood
RV-448-BC-8C	Base Organizer	See Detailed Specifications below	Wood
RV-448-SR8-1	Spice Rack for Above	7" (178 mm) W x 21" (534 mm) D x 4⅞" (124 mm) H	Wood
RV-448-BC-11C	Base Organizer	See Detailed Specifications below	Wood
RV-448-BC-14C	Base Organizer	See Detailed Specifications below	Wood



## 448UT SERIES UTENSIL BIN BASE ORGANIZER

- Designed for full height 9" and 12" base cabinets
- Sizes accommodate 5-1/2" (5C) and 8-1/2" (8C) minimum cabinet openings
- Full-extension, BLUMOTION soft-close slides
- Features Rev-A-Shelf's patented door mount brackets
- 8" base includes three 5-1/4" W x 6-7/8" D stainless steel bins
- Adjustable shelves
- Comes with adjustable rub bushings that prevent side to side movement and frame rubbing
- Includes adjustable rear wall for extra strength and stability



PRODUCT #	DESCRIPTION	DIMENSIONS	FINISH
-----------	-------------	------------	--------

Utensil Bin Base Organizer (Individual Pack)

RV-448UT-BCSC-8C 8" Base Organizer with 3 Bins for Utensils and Shelves 8" (203 mm) W x 21 5/8" (549 mm) D x 25 1/2" (648 mm) H Wood/Stainless

## 448 SERIES BLUM® SOFT-CLOSE BASE ORGANIZER

- Designed for 9", 12", 15" and 18" full height base cabinets and 12" and 15" face frame drawer/door base cabinets
- Full-extension BLUMOTION soft-close slides
- Door mounting is easy with our patented door mount brackets
- Brackets provide 5" of adjustability
- Adjustable shelves with chrome rails
- Includes adjustable rub bushings
- Constructed from maple with a UV clear coat finish



PRODUCT #	DESCRIPTION	DIMENSIONS	FINISH
-----------	-------------	------------	--------

Soft-Close Base Organizer (Individual Pack)

RV-448-BCSC-5C Base Organizer w/Blum Soft-Close

Wood

RV-448-BCSC-8C Base Organizer w/Blum Soft-Close

Wood

RV-448-BCSC-11C Base Organizer w/Blum Soft-Close

Wood

## RAS-ML SERIES HEAVY DUTY MIXER LIFT

- Can be attached to any custom made shelf and fits all cabinet sizes
- Adjustable spring tension and holds appliances up to 60 lbs.
- Features built-in shock dampeners on soft-close unit
- Provides mechanical assist



PRODUCT #	DESCRIPTION	DIMENSIONS	FINISH
<b>Heavy Duty Mixer Lift (Individual Pack)</b>			
RV-RAS-ML-HDCR	Heavy Duty Mixer Lift		Silver Powder Coat
<b>Soft-Close Heavy Duty Mixer Lift (Individual Pack)</b>			
RV-RAS-ML-HDSC	Soft-Close Heavy Duty Mixer Lift		Silver Powder Coat

## 4WTCD SERIES TIERED CUTLERY DRAWER

- Available for 18", 21" and 24" base cabinets
- Provides two tiers for double the storage capacity
- Pre-assembled drawer box
- Easy installation
- Customize with your own drawer front
- Available with or without BLUMOTION soft-close, under mount slides
- Carb II compliant



PRODUCT #	DESCRIPTION	PRODUCT DIMENSIONS	FINISH
<b>Soft-Close Tiered Double Cutlery Drawer (Individual Pack)</b>			
RV-4WTCD-18SC-1	Soft-Close Tiered Double Cutlery Drawer For 18" Cabinet	15" (368 mm) W x 21½" (546 mm) D x 4¾" (110 mm) H	Wood
RV-4WTCD-21SC-1	Soft-Close Tiered Double Cutlery Drawer For 21" Cabinet	18" (445 mm) W x 21½" (546 mm) D x 4¾" (110 mm) H	Wood
RV-4WTCD-24SC-1	Soft-Close Tiered Double Cutlery Drawer For 24" Cabinet	21" (521 mm) W x 21½" (546 mm) D x 4¾" (110 mm) H	Wood
<b>Tiered Double Cutlery Drawer (Individual Pack) No Slides included</b>			
RV-4WTCD-18-1	Tiered Double Cutlery Drawer For 18" Cabinet	14½" (368 mm) W x 21" (534 mm) D x 3¾" (95 mm) H	Wood
RV-4WTCD-21-1	Tiered Double Cutlery Drawer For 21" Cabinet	17½" (445 mm) W x 21" (534 mm) D x 3¾" (95 mm) H	Wood
RV-4WTCD-24-1	Tiered Double Cutlery Drawer For 24" Cabinet	20½" (521 mm) W x 21" (534 mm) D x 3¾" (95 mm) H	Wood



## 4TT SERIES WOOD TAMBOUR TABLE

- Add 31-3/4" counter space to your kitchen
- Designed for 24" drawers
- Uses mechanical slide advancement with stop locks to extend and retract
- Drawer mountable using our patented AMB brackets
- Constructed of solid wood
- Requires a 20-1/2" wide x 4-1/4" high cabinet opening
- Carb II compliant



PRODUCT #	DESCRIPTION	PRODUCT DIMENSIONS	FINISH
<b>Wood Tambour Table (Individual Pack)</b>			
RV-4TT-2133-1	Tambour Table	22" (559 mm) W x 19 <sup>5</sup> / <sub>16</sub> "-24" (491-610 mm) D x 4 <sup>3</sup> / <sub>4</sub> " (121 mm) H	Wood

## 4DPS SERIES DRAWER PEG SYSTEM

- Available for cabinet sizes:
  - 36", 39" and 42" cabinets (4DPS-3921)
  - 30" and 33" cabinets (4DPS-3021)
  - 27" and smaller cabinets (4DPS-2421)
- Can be trimmed to size
- Width is maximized to fit the largest cabinet drawers with under mount slides
- Constructed from UV cured walnut or maple
- Includes matching, press-in pegs
- Carb II compliant



PRODUCT #	DESCRIPTION	PRODUCT DIMENSIONS	FINISH
<b>Drawer Peg System with Wood Pegs (Individual Pack)</b>			
RV-4DPS-2421	Small Drawer Peg System (9 Pegs)	24 <sup>1</sup> / <sub>4</sub> " (616 mm) W x 21 <sup>1</sup> / <sub>4</sub> " (540 mm) D x 6 <sup>5</sup> / <sub>8</sub> " (168 mm) H	Maple
RV-4DPS-3021	Medium Drawer Peg System (12 Pegs)	30 <sup>3</sup> / <sub>4</sub> " (769 mm) W x 21 <sup>1</sup> / <sub>4</sub> " (540 mm) D x 6 <sup>5</sup> / <sub>8</sub> " (168 mm) H	Maple
RV-4DPS-3921	Large Drawer Peg System (16 Pegs)	39 <sup>3</sup> / <sub>4</sub> " (997 mm) W x 21 <sup>1</sup> / <sub>4</sub> " (540 mm) D x 6 <sup>5</sup> / <sub>8</sub> " (168 mm) H	Maple

## 4DPBG SERIES VINYL DRAWER PEG BOARD

- 30" and 33" cabinets (4DPBG-3021)
- Features a sound dampening vinyl covering that is easy to maintain
- Compatible with our wood pegs and chrome accessories (purchased separately)
- Width is maximized to fit the largest cabinet drawers with under mount slides
- Carb II compliant



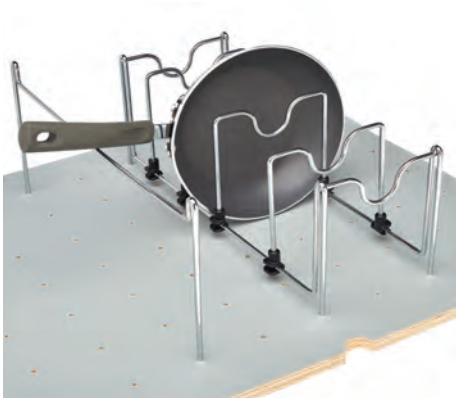
PRODUCT #	DESCRIPTION	PRODUCT DIMENSIONS	FINISH
<b>Vinyl Drawer Peg Board Only (No Pegs) (Individual Pack)</b>			
RV-4DPBG-3021-1	Vinyl Drawer Peg Board	30 <sup>3</sup> / <sub>8</sub> " (766 mm)W x 21 <sup>1</sup> / <sub>4</sub> " (540 mm)D x 5 <sup>8</sup> / <sub>16</sub> " (16 mm) H	Maple/Vinyl



### 5DLD-1-CR (LID ORGANIZER)

- Designed for use with our 4DPS, 4DPBG, and Pilaster System
- Easy press-in installation
- Rack stores up to six lids
- Designed to be used combination with our 5DCD-1-CR pot and pan holder

PRODUCT #	DESCRIPTION	PRODUCT DIMENSIONS	FINISH
<b>Lid Organizer (Individual Pack)</b>			
RV-5DLD-1-CR	Lid Organizer	5¼" (134 mm) W x 16⅞" (429 mm) D x 5⅝" (137 mm) H	Chrome



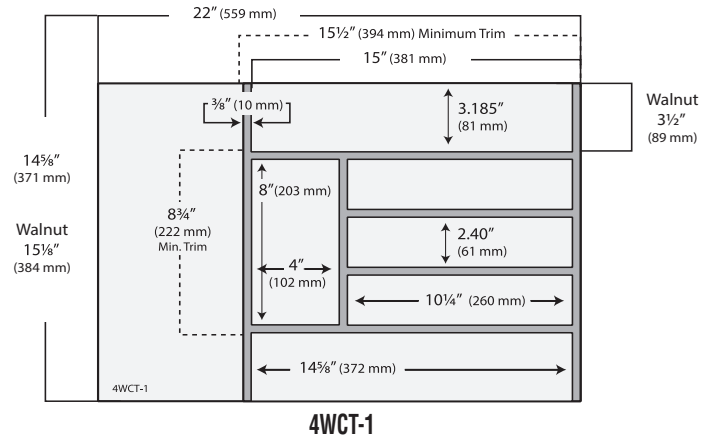
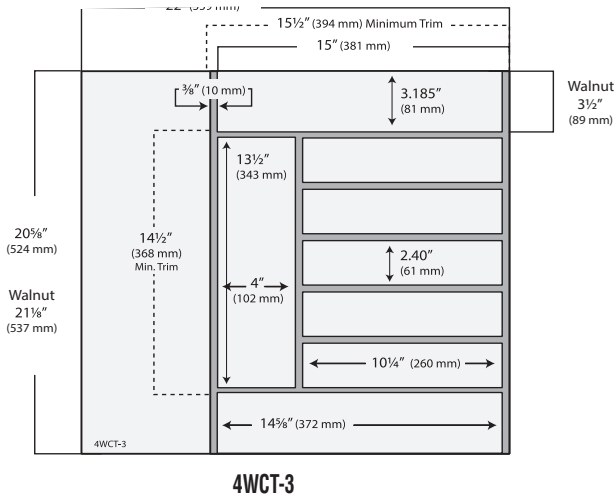
### 5DCD-1-CR (POT/PAN ORGANIZER)

- Designed for use with our 4DPS, 4DPBG, and Pilaster System
- Easy press-in installation
- Rack stores up to five pots and pans
- Features a trimmable handle rest
- Designed to be used combination with our 5DLD-1-CR lid organizer

PRODUCT #	DESCRIPTION	PRODUCT DIMENSIONS	FINISH
<b>Pot/Pan Organizer (Individual Pack)</b>			
RV-5DCD-1-CR	Pot/Pan Organizer	7¼" (197 mm) W x 15¼" (388 mm) D x 7⅝" (194 mm) H	Chrome

## 4WCT SERIES WOOD CUTLERY TRAY INSERT

- Made of our walnut or maple hardwood
- Simple drop-in installation
- Trimmable to fit various drawer sizes
- Deep or shallow options available
- Carb II compliant



PRODUCT #	DESCRIPTION	PRODUCT DIMENSIONS	MINIMUM TRIM	FINISH
-----------	-------------	--------------------	--------------	--------

### Shallow Height Wood Cutlery Tray (Individual Pack)

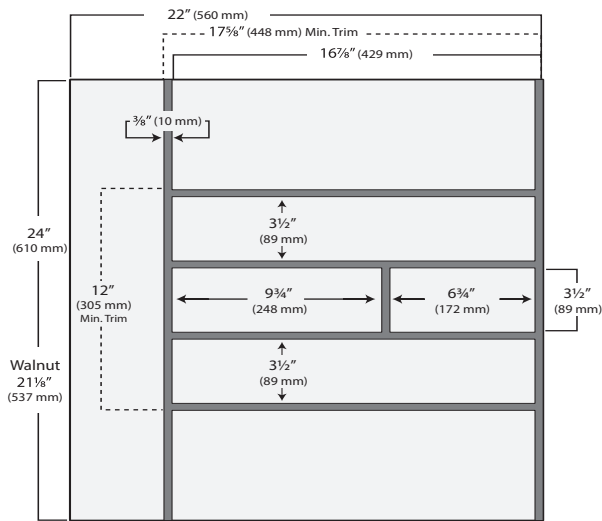
RV-4WCT-1SH	Shallow Height Trimmable Cutlery Tray	14 5/8" (371 mm) W x 22" (559 mm) D x 2 3/8" (60 mm) H	8 3/4" (222 mm) W x 15 1/2" (394 mm) D	Maple
RV-4WCT-3SH	Shallow Height Trimmable Cutlery Tray	20 5/8" (524 mm) W x 22" (559 mm) D x 2 3/8" (60 mm) H	14 1/4" (362 mm) W x 15 1/2" (394 mm) D	Maple

### Wood Cutlery Tray (Individual Pack)

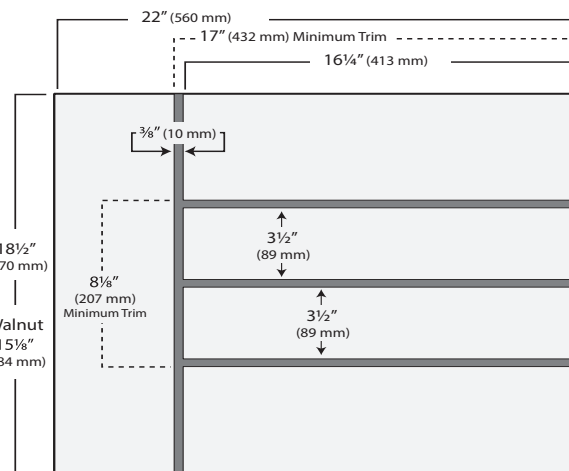
RV-4WCT-1	Trimmable Cutlery Tray	14 5/8" (371 mm) W x 22" (559 mm) D x 2 7/8" (73 mm) H	8 3/4" (222 mm) W x 15 1/2" (394 mm) D	Maple
RV-4WCT-3	Trimmable Cutlery Tray	20 5/8" (524 mm) W x 22" (559 mm) D x 2 7/8" (73 mm) H	14 1/4" (362 mm) W x 15 1/2" (394 mm) D	Maple

## 4WUT SERIES WOOD UTILITY TRAY INSERT

- Made of our maple or walnut hardwood
- Simple drop-in installation
- Trimmable to fit various drawer sizes
- Deep or shallow options available
- Carb II compliant



**4WUT-3**

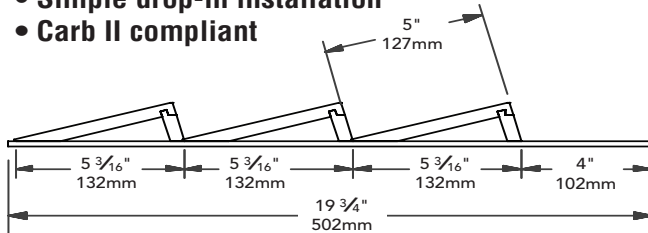


**4WUT-1**

PRODUCT #	DESCRIPTION	PRODUCT DIMENSIONS	FINISH
<b>Shallow Height Wood Utility Tray (Individual Pack)</b>			
RV-4WUT-1SH	Shallow Height Trimmable Utility Tray	18 1/2" (470 mm) W x 22" (559 mm) D x 2 3/8" (60 mm) H	Maple
RV-4WUT-3SH	Shallow Height Trimmable Utility Tray	24" (610 mm) W x 22" (559 mm) D x 2 3/8" (60 mm) H	Maple
<b>Wood Utility Tray (Individual Pack)</b>			
RV-4WUT-1	Trimmable Utility Tray	18 1/2" (470 mm) W x 22" (559 mm) D x 2 7/8" (73 mm) H	Maple
RV-4WUT-3	Trimmable Utility Tray	24" (610 mm) W x 22" (559 mm) D x 2 7/8" (73 mm) H	Maple

## 4SDI SERIES WOOD SPICE DRAWER INSERT

- Can be customized to fit various drawer sizes up to a base 24"
- Made of our maple hardwood
- Features a tiered configuration
- Simple drop-in installation
- Carb II compliant



RV-4SDI-18 - Width is 16" (No Minimum Trim)  
RV-4SDI-24 - Width is 22" (No Minimum Trim)



PRODUCT #	DESCRIPTION	PRODUCT DIMENSIONS	FINISH
<b>Wood Spice Tray (Individual Pack)</b>			
RV-4SDI-18	Base 18" or smaller Spice Drawer Insert	16" (406 mm) W x 19 <sup>3</sup> / <sub>4</sub> " (502 mm) D x 1 <sup>1</sup> / <sub>2</sub> " (38 mm) H	Maple
RV-4SDI-24	Base 24" or smaller Spice Drawer Insert	22" (559 mm) W x 19 <sup>3</sup> / <sub>4</sub> " (502 mm) D x 1 <sup>1</sup> / <sub>2</sub> " (38 mm) H	Maple

## 4WDKB SERIES WOOD DOUBLE KNIFE BLOCK INSERT

- Designed for drawers from 12-1/2" to 18-1/2"
- Hilt rest that keeps knives straight and provides ample finger space for easy removal
- 55 slots
- Additional storage compartments for other utensils
- Carb II compliant



PRODUCT #	DESCRIPTION	PRODUCT DIMENSIONS	FINISH
<b>Walnut Wood Knife Block (Individual Pack)</b>			
RV-4WDKB-WN-1	Walnut Double Knife Block Insert	18 <sup>1</sup> / <sub>2</sub> " (470 mm) W x 22" (559 mm) D x 2" (51 mm) H	Walnut

## 4WKB SERIES WOOD KNIFE BLOCK INSERT

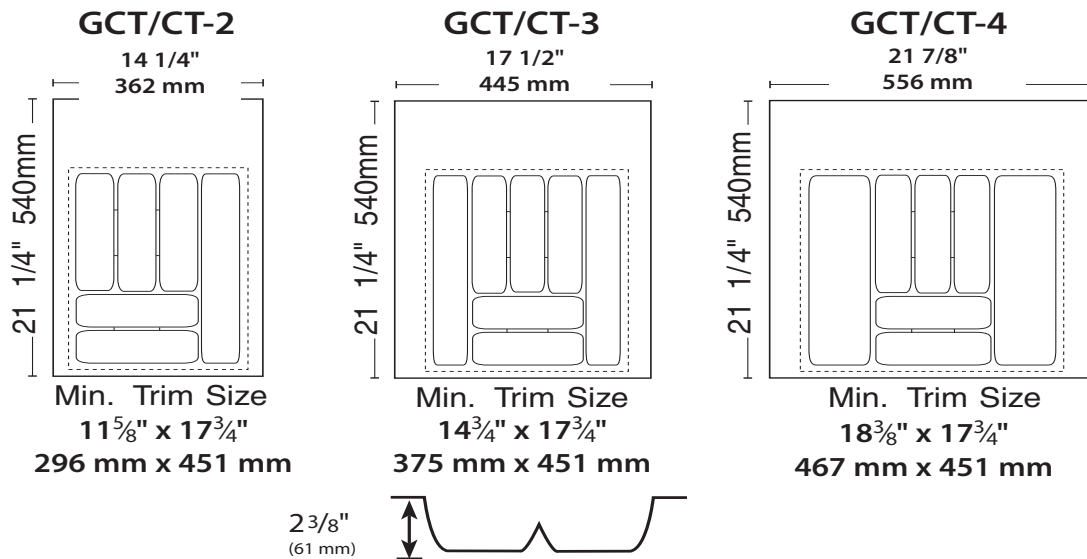
- Made of our maple hardwood
- Simple drop-in installation
- Provides up to 19 slots to store knives and a separate compartment for other utensils
- Trim-to-fit various drawer sizes
- Carb II compliant



PRODUCT #	DESCRIPTION	PRODUCT DIMENSIONS	FINISH
<b>Wood Knife Block (Individual Pack)</b>			
RV-4WKB-1	Trimable Knife Block	18 <sup>1</sup> / <sub>2</sub> " (470 mm) W x 22" (559 mm) D x 2 <sup>3</sup> / <sub>8</sub> " (60 mm) H	Maple

## CT/GCT SERIES CUTLERY TRAYS

- Made with rubberized polystyrene
- Trimmable
- Available in textured finish
- Available in white



PRODUCT #	DESCRIPTION	TRAY PRODUCT DIMENSIONS	MINIMUM INNER DRAWER PRODUCT DIMENSIONS	FINISH
<b>Polymer Cutlery Tray (Individual Pack)</b>				
RV-CT-2*-52	Cutlery Tray	14 <sup>1</sup> / <sub>4</sub> " (362 mm) W x 21 <sup>1</sup> / <sub>4</sub> " (540 mm) D	11 <sup>5</sup> / <sub>8</sub> " (296 mm) W x 17 <sup>3</sup> / <sub>4</sub> " (451 mm) D	Polymer
RV-CT-3*-52	Cutlery Tray	17 <sup>1</sup> / <sub>2</sub> " (445 mm) W x 21 <sup>1</sup> / <sub>4</sub> " (540 mm) D	14 <sup>3</sup> / <sub>4</sub> " (375 mm) W x 17 <sup>3</sup> / <sub>4</sub> " (451 mm) D	Polymer
RV-CT-4*-52	Cutlery Tray	21 <sup>7</sup> / <sub>8</sub> " (556 mm) W x 21 <sup>1</sup> / <sub>4</sub> " (540 mm) D	18 <sup>3</sup> / <sub>8</sub> " (467 mm) W x 17 <sup>3</sup> / <sub>4</sub> " (451 mm) D	Polymer Trays

## ST50 SERIES UNIVERSAL SPICE TRAYS

- Features a tiered configuration for easy access
- Trimmable
- Available in white



PRODUCT #	DESCRIPTION	TRAY PRODUCT DIMENSIONS	MINIMUM INNER DRAWER PRODUCT DIMENSIONS	FINISH
<b>Polymer Spice Tray (Individual Pack)</b>				
RV-ST50-21*-52	Spice Tray	50" (1270 mm) W x 21" (534 mm) D	Any Size	Polymer Trays

## BDC SERIES BREAD DRAWER COVER

- Available in two sizes
- Available in white, almond or translucent finishes
- Trimmable
- Features a one-piece cover with molded in handle and rear stop
- Adjustable sliding rails, and mounting screws
- Carb II compliant



PRODUCT #	DESCRIPTION	PRODUCT DIMENSIONS	MINIMUM CUT SIZE	FINISH
<i>Bread Drawer Cover (Individual Pack)</i>				
RV-BDC-200-**	Bread Drawer Cover Kit	16¾" (426 mm) W x 21¾" (553 mm) L	11⅝" (295 mm) x Any Length	Polymer
RV-BDC-200-20	BDC Kit—Translucent w/Clear Rails	16¾" (426 mm) W x 21¾" (553 mm) L	11⅝" (295 mm) x Any Length	Polymer

## RAS-FD KIT TWO-TIER FILE DRAWER SYSTEM

- Designed for a standard height base 18" drawer/ door cabinet
- Features full-extension, ball-bearing slides
- Heavy duty chrome plated rails
- Can store both letter and legal folders
- Mounting system based on 5WB2 Series wire baskets for sturdiness



PRODUCT #	DESCRIPTION	PRODUCT DIMENSIONS	FINISH
<i>Two-Tier Filer Drawer System (Individual Pack)</i>			
RV-DM-FDKIT	Door Mounting Kit - Two Pair for Both Tiers		Silver

## RAS-\*\*FD FILE DRAWER SYSTEM

- Designed for base 18" and base 21" cabinets
- Trimmable
- Available in both legal and letter size dimensions
- Features front and back frames that fasten to drawer box
- Versatile T-Rod that creates divided storage for both legal and letter size folders



PRODUCT #	DESCRIPTION	PRODUCT DIMENSIONS	FINISH
<i>File Drawer System (Individual Pack)</i>			
RV-RAS-SMFD-52	Small File System	13" (330 mm) W x 19¼" (489 mm) D x 9¾" (248 mm) H	Black Wire

## 4SR SERIES DOOR MOUNT SPICE RACK

- Available for wall 15", 18" and 21" cabinets
- Can house spice bottles up to 2-1/4" diameter
- Made of attractive maple hardwood
- Installs with just four screws
- Carb II compliant



PRODUCT #	DESCRIPTION	PRODUCT DIMENSIONS	FINISH
<b>Door Mount Spice Rack (Individual Pack)</b>			
RV-4SR-15	Wall 15 Door Mount Spice Rack	10½" (267 mm) W x 3⅞" (81 mm) D x 21¼" (540 mm) H	Wood
RV-4SR-18	Wall 18 Door Mount Spice Rack	13½" (343 mm) W x 3⅞" (81 mm) D x 21¼" (540 mm) H	Wood
RV-4SR-21	Wall 21 Door Mount Spice Rack	16½" (419 mm) W x 3⅞" (81 mm) D x 21¼" (540 mm) H	Wood

## 4ASR SERIES ADJUSTABLE DOOR MOUNT SPICE RACK

- Available for wall 15", 18" and 21" cabinets
- Can house spice bottles up to 2-1/4" diameter
- Made of attractive maple hardwood
- Installs with just four screws
- Features adjustable shelves
- Carb II compliant



PRODUCT #	DESCRIPTION	PRODUCT DIMENSIONS	FINISH
<b>Door Mount Spice Rack Components (Bulk Pack)</b>			
RV-4ASR-37STD-20	37" Door Mount Spice Rack Standards		Wood

## 565 SERIES DOOR MOUNT SPICE RACK

- Features three small tiers to hold spices and one large tier that can accommodate canned goods
- Made of heavy-gauge white wire
- Easily installs with just four screws



PRODUCT #	DESCRIPTION	PRODUCT DIMENSIONS	FINISH
<b>Door Mount Spice Rack (Individual Pack)</b>			
RV-565-10-52	Door Mount Spice Rack	10⅝" (270 mm) W x 2⅝" (61 mm) – 4⅞" (105 mm) D x 21⅜" (543 mm) H	White Wire
RV-565-14-52	Door Mount Spice Rack	13⅝" (346 mm) W x 2⅝" (61 mm) – 4⅞" (105 mm) D x 21⅜" (543 mm) H	White Wire



## 448 SERIES PULLOUT SHELVING SYSTEM

- Adjustable shelves with chrome rails
- Brackets provide 5" of adjustability
- Includes adjustable rub bushings
- Constructed from maple with a UV clear coat finish
- Door mounting is easy with our patented door mount brackets
- Carb II compliant



PRODUCT #	DESCRIPTION	PRODUCT DIMENSIONS	FINISH
<b>Wall Pullout Shelving System (Individual Pack)</b>			
RV-448-WC-5C	Wall 9" Pullout	5" (127 mm) W x 10¾" (237 mm) D x 26¼" (667 mm) H	Wood
RV-448-WC-8C	Wall 12" Pullout	8" (204 mm) W x 10¾" (237 mm) D x 26¼" (667 mm) H	Wood

## 3000 SERIES WINE AND STEMWARE RACKS

- Heavy gauge wire construction
- Hidden mounting
- Easy installation
- Available in single 11", 16" and 18" rack.
- Quad 11" includes four single racks fused together for ease of installation



PRODUCT #	DESCRIPTION	PRODUCT DIMENSIONS	FINISH
<b>Chrome Collection (Individual Pack)</b>			
RV-3150-11CR	11" Stemware Holder	4¼" (108 mm) W x 11" (280 mm) D x 1½"(38 mm) H	Chrome
RV-3150-16CR	16" Stemware Holder	4¼" (108 mm) W x 16" (407 mm) D x 1½"(38 mm) H	Chrome
RV-3150-18CR	18" Stemware Holder	4¼" (108 mm) W x 18" (457 mm) D x 1½"(38 mm) H	Chrome
<b>Satin Nickel Collection (Individual Pack)</b>			
RV-3150-11SN	11" Stemware Holder	4¼" (108 mm) W x 11" (280 mm) D x 1½"(38 mm) H	Satin Nickel
<b>Oil Rubbed Bronze Collection (Individual Pack)</b>			
RV-3150-18ORB	18" Stemware Holder	4¼" (108 mm) W x 18" (457 mm) D x 1½"(38 mm) H	Oil Rubbed Bronze
RV-3450-11ORB	11" Quad Stemware Holder	17" (432 mm) W x 11" (280 mm) D x 1½"(38 mm) H	Oil Rubbed Bronze

## 5PD SERIES PREMIERE PULL-DOWN SHELVING SYSTEM

- Available for wall 24" cabinets
- Brings items down 11-1/2" while pulling out 16-3/4" from the cabinet
- Features a unique gas assisted lifting/lowering mechanism
- Chrome-plated, two-tier, pull-down shelf
- Locks into the down position for hands free accessibility
- Includes both side and bottom mount brackets
- Pre-assembled baskets for easy installation

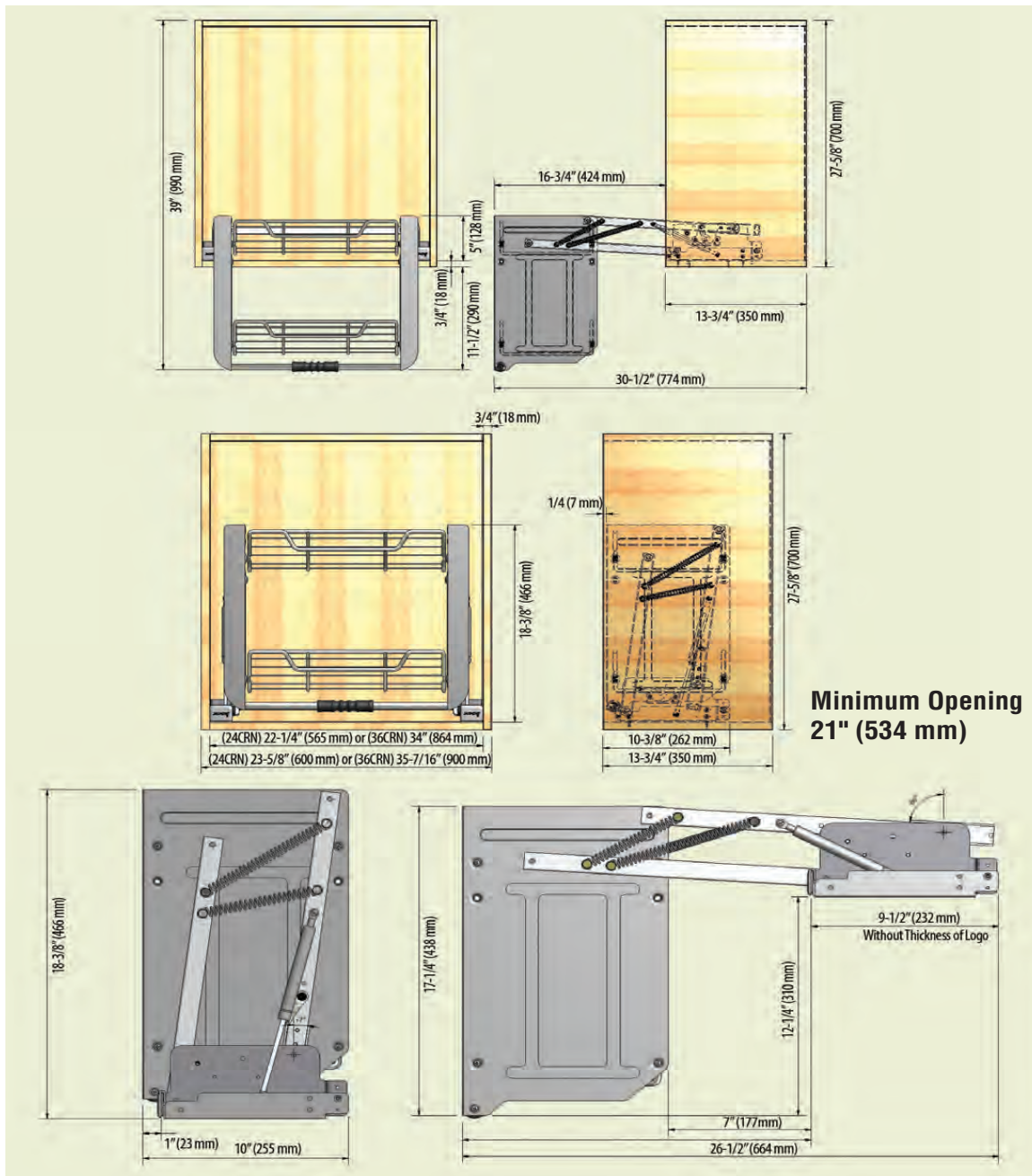


PRODUCT #	DESCRIPTION	PRODUCT DIMENSIONS	FINISH
-----------	-------------	--------------------	--------

Pull-Down Shelving System (Individual Pack)

RV-5PD-24CRN Pull-Down Shelving System See Drawings Below

Metal/Chrome



## 4VHTM SERIES TOP MOUNT WOOD HAMPER

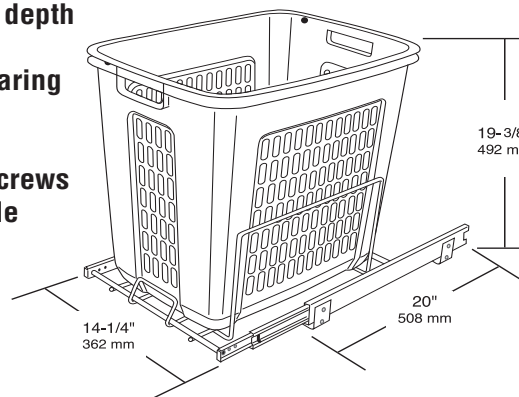
- Designed for base 18" vanity cabinets
- Features pre-assembled door mounting brackets
- 100 lb. rated, 20" ball-bearing slides with 2" over travel
- Includes 1.71 bushel hamper basket with lid
- Features front, side brackets and adjustable rear mounting brackets
- Carb II compliant



PRODUCT #	DESCRIPTION	DIMENSIONS	FINISH
RV-4VHTM-1520DM-1	Pullout Hamper	15" (381 mm) W x 19 $\frac{3}{8}$ " (505 mm) D x 20" (508 mm) H (with lid)	Wood

## HPRV SERIES PULLOUT POLYMER HAMPER

- Features a shallow 20" depth for vanity applications
- Full-extension, ball-bearing slides
- 1.5 Bushel capacity
- Installs with just four screws
- Door mount kit available



PRODUCT #	DESCRIPTION	DIMENSIONS	FINISH
RV-HPRV-1520 S	Pullout Hamper	14 $\frac{1}{4}$ " (362 mm) W x 20" (508 mm) D x 19 $\frac{3}{8}$ " (492 mm) H	Polymer

## HRV SERIES PULLOUT WIRE HAMPERS

- Easily removable
- Features full-extension slides
- Installs with just four screws



PRODUCT #	DESCRIPTION	DIMENSIONS	FINISH
RV-HRV-1520 S	Wire Hamper	14 $\frac{3}{4}$ " (375 mm) W x 18" (508 mm) D x 19 $\frac{3}{8}$ " (492 mm) H	White Wire
RV-5CHB-Liner	Cloth Hamper Bag		Ivory

## HURV SERIES PULLOUT UTILITY BASKET

- Features a polymer basket
- Sturdy wire frame
- Full-extension slides
- Simple installation with just four screws



PRODUCT #	DESCRIPTION	DIMENSIONS	FINISH
<i>Polymer Utility Basket (Individual Pack)</i>			
RV-HURV-1512 S	Utility Basket	14 $\frac{3}{8}$ " (364 mm)W x 18 $\frac{1}{8}$ " (461 mm)D x 11 $\frac{1}{8}$ " (302 mm)H	Polymer

## 445 SERIES SOFT-CLOSE GROOMING ORGANIZER

- Designed for full height vanity and base height 12" cabinets
- 19" depth
- Now featuring full-extension, BLUMOTION soft-close slides
- Available for both vanity height and base height applications
- Features adjustable shelves with non-skid vinyl liners and clear polycarbonate rails
- Includes two stainless steel bins for storing curling irons and hair dryers
- Feature our patented adjustable door mount brackets
- Carb II compliant



PRODUCT #	DESCRIPTION	DIMENSIONS	FINISH
<i>Soft-Close Vanity Grooming Organizer (Individual Pack)</i>			
RV-445-VCG20SC-8	8" Soft-Close Vanity Grooming Organizer	8 $\frac{7}{16}$ " (213 mm) W x 19 $\frac{1}{16}$ " (497 mm) D x 20 $\frac{1}{4}$ " (514 mm) H	Wood
RV-445-VCG25SC-8	8" Soft-Close Base Height Vanity Grooming Organizer	8 $\frac{7}{16}$ " (213 mm) W x 19 $\frac{1}{16}$ " (497 mm) D x 25 $\frac{1}{2}$ " (648 mm) H	Wood

## 448 SERIES SOFT-CLOSE VANITY BASE ORGANIZER

- Designed for full height vanity base 12" cabinets
- 19" depth
- Now featuring full-extension, BLUMOTION soft-close slides
- Features adjustable shelves with non-skid vinyl liners and clear polycarbonate rails
- Available for both vanity height and base height applications
- Feature our patented adjustable door mount brackets
- Carb II compliant



PRODUCT #	DESCRIPTION	DIMENSIONS	FINISH
<i>Soft-Close Vanity Pull-Out Organizer (Individual Pack)</i>			
RV-448-VC20SC-8	8" Soft-Close Vanity Organizer w/6 Polycarbonate Bins	8 $\frac{7}{16}$ " (213 mm) W x 19 $\frac{1}{16}$ " (497 mm) D x 20 $\frac{1}{4}$ " (514 mm) H	Wood
RV-448-VC25SC-8	8" Soft-Close Base Height Vanity Organizer w/9 Polycarbonate Bins	8 $\frac{7}{16}$ " (213 mm) W x 19 $\frac{1}{16}$ " (497 mm) D x 25 $\frac{1}{2}$ " (648 mm) H	Wood

## CBL SERIES CLOTH LINERS FOR CB SERIES BASKETS

- Designed to fit our CB Series Baskets
- Easy-to-install baskets
- Machine washable
- Hook and loop fasteners



PRODUCT #	DESCRIPTION	FINISH
<b>Cloth Liners for 12" Deep Pullout Baskets</b>		
RV-CBL-241218-T.*	Closet Liner for 24" (610 mm) W x 12" (305 mm) D x 18" (457 mm) H Closet Basket	Tan
<b>Cloth Liners for 20" Deep Pullout Baskets</b>		
RV-CBL-182018-T.*	Closet Liner for 18" (457 mm) W x 20" (508 mm) D x 18" (457 mm) H Closet Basket	Tan

## HPRV SERIES CLOSET HAMPER

- Features a shallow 14" depth for closet applications
- Full-extension, ball-bearing slides
- 2.3 bushels capacity
- Installs with just four screws
- Includes removable lid
- Available with or without door mount bracket kit



PRODUCT #	DESCRIPTION	DIMENSIONS	FINISH
<b>Closet Hamper (Individual Pack)</b>			
RV-HPRV-1925 S	Pullout Hamper w/ Lid	19 7/8" (508 mm) W x 14" (356 mm) D x 24" (610 mm) H	Polymer

## CSR SERIES WIRE SHOE RAIL

- 35 inch long
- Easy installation
- Features heavy gauge wire



PRODUCT #	DESCRIPTION	DIMENSIONS	FINISH
<b>Wire Shoe Rail (Bulk Pack)</b>			
RV-CSR-23CR-10	23" Wire Shoe Rail	23" (584 mm) L x 2 1/4" (57 mm) H	Chrome
RV-CSR-23SN-10	23" Wire Shoe Rail	23" (584 mm) L x 2 1/4" (57 mm) H	Satin Nickel
RV-CSR-23ORB-10	23" Wire Shoe Rail	23" (584 mm) L x 2 1/4" (57 mm) H	Oil Rubbed Bronze

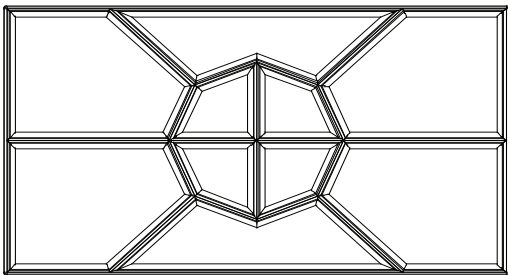
## CJD SERIES JEWELRY DRAWER

- Easily installed with system holes
- Features full-extension, ball-bearing slides
- Drawer head mounting capability
- Constructed with a solid wood box
- Used in coordination with the CJD-24IS (Jewelry) and CJD-24IN (Necklace) inserts
- CJD-IS and CJD-IN feature easy “drop-in” installation and a soft, velvet flocked covering
- Rev-A-Shelf exclusive design

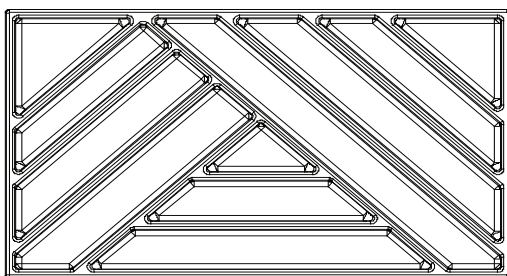


CJD-2414 Jewelry Drawer dimensions.

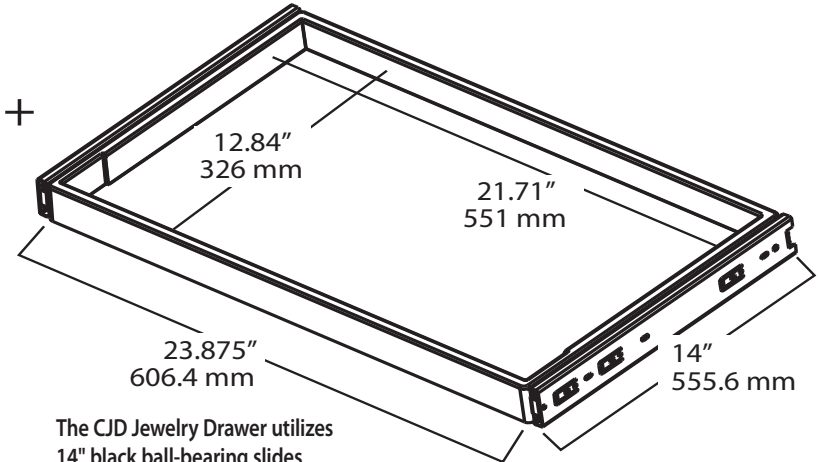
Inside Height = 1.42" (36 mm)  
Overall Height = 1.82 (46.2 mm)



OR



Necklace Insert



The CJD Jewelry Drawer utilizes 14" black ball-bearing slides

PRODUCT #	DESCRIPTION	DIMENSIONS	FINISH
<b>Pullout Jewelry Drawer and Inserts (Individual Pack)</b>			
RV-CJD-2414	Jewelry Drawer w/Slides	24" (610 mm) W x 14" (356 mm) D x 1 7/8" (47 mm) H	Black
<b>Jewelry Drawer Inserts (NOTE: will not fit in CVJD Series Jewelry Drawer) (Bulk Pack)</b>			
RV-CJD-24IS	Jewelry Insert	22" (559 mm) W x 13" (330 mm) D x 1 1/2" (38 mm) H	Velvet
RV-CJD-24IN	Necklace Insert	22" (559 mm) W x 13" (330 mm) D x 1 1/2" (38 mm) H	Velvet
<b>Drawer Front Mounting Brackets (Bulk Pack)</b>			
RV-CJD-DMB-KIT	Drawer Front Mount Bracket		Black

## CPDR SERIES PULL-DOWN CLOSET ROD

- Available in three sizes
- Features an adjustable rod length to accommodate openings
- Telescoping pull-rod, adjustable from 34" to 50"
- Rev-A-Shelf exclusive design



PRODUCT #	DESCRIPTION	DIMENSIONS	FINISH
<b>Closet Pull-Down Rod (Individual Pack)</b>			
RV-CPDR-1826	Pull-Down Closet Rod	21½" - 26" (547 - 661 mm) W	Chrome and Black
RV-CPDR-2635	Pull-Down Closet Rod	26" - 35" (661 - 889 mm) W	Chrome and Black
RV-CPDR-3548	Pull-Down Closet Rod	35" - 48" (889 - 1220 mm) W	Chrome and Black

## CIB SERIES FOLD-OUT IRONING BOARDS

- Fits cabinet sides from 14-1/4" to 21" wide
- Expandable frame mounts easily in a closet drawer
- Fixed brackets allow for easy mounting of all standard drawer fronts
- Features an over-travel, ball-bearing slide system
- Simply open until the gravity lock engages and unfold board



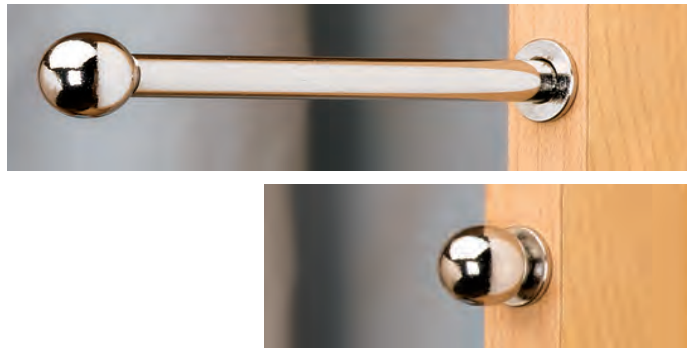
### SURFACE AREA

VIB-20CR (Vanity Cabinet)		CIB-16CR (Closet Model)	
WIDTH	LENGTH	WIDTH	LENGTH
11.8" 300 mm	37.7" 957 mm	11.8" 300 mm	29.2" 742 mm

PRODUCT #	DESCRIPTION	DIMENSIONS	FINISH
<b>Fold-Out Ironing Boards and Covers (Individual Pack)</b>			
RV-VIB-20CR	Fold Out Ironing Board	See drawings for detailed specifications.	Chrome

## CVRI SERIES INSERT VALET ROD

- Features include the ability to open or close the 3-3/4" rod with a single finger
- Removable pull hardware
- 7" Insert Valet Rod is uniquely designed to fit within 3/4" and larger closet panels
- Use the drill guide (sold separately) for a perfect fit and incomparable stability



PRODUCT #	DESCRIPTION	DIMENSIONS	FINISH
<b>Insert Valet Rod (Individual Pack)</b>			
RV-CVRI-7-SN	Insert Valet Rod	3¾" (95 mm) - 7¾" (187 mm) L (Min. Drill Depth is 7")	Satin Nickel
RV-CVRI-7-ORB	Insert Valet Rod	3¾" (95 mm) - 7¾" (187 mm) L (Min. Drill Depth is 7")	Oil Rubbed Bronze
RV-CVRI-DG	Drill Guide w/Bit	Designed to simplify drilling for the installation of this product, ½" drill bit included.	

## CWTTR SERIES TIEBUTLER™

- Installs underneath any shelf in a 7" opening
- Holds up to an astounding 68 ties without wrinkling or slippage
- Constructed of solid wood
- Features ball-bearing slides
- Can be double stacked or installed in a run of two or more for use in larger closet openings
- Carb II compliant



# TIEBUTLER™

PRODUCT #	DESCRIPTION	DIMENSIONS	FINISH
<b>Top Mount Wood TieButler™ (Individual Pack)</b>			
RV-CWTTR-14-1	14" TieButler™ - Top Mount	5" (127 mm) W x 13⅞" (353 mm) D x 3⅜" (86 mm) H	Natural
RV-CWTTR-14B-1	14" TieButler™ - Top Mount	5" (127 mm) W x 13⅞" (353 mm) D x 3⅜" (86 mm) H	Black



## CTR/CBSR SERIES BELT/SCARF/TIE ORGANIZERS

- Holds up to 15 ties or scarves, or 6 belts
- Feature a fully accessible 8-3/16" (6-3/4" for 12" depth) telescoping rod
- Non-slip soft PVC coated hooks
- Available in two depths
- Adjustable mounting brackets



PRODUCT #	DESCRIPTION	DIMENSIONS	FINISH
-----------	-------------	------------	--------

### Designer Series Belt/Scarf/Tie Organizers (Individual Pack)

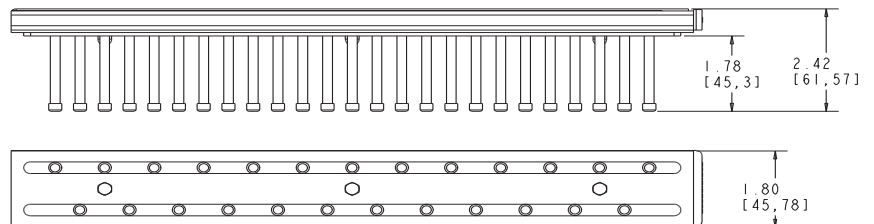
RV-CTR-12-CR	Tie/Scarf Organizer	11 7/8" (302 mm) - 18 1/2" (470 mm) L	Chrome
RV-CTR-12-SN	Tie/Scarf Organizer	11 7/8" (302 mm) - 18 1/2" (470 mm) L	Satin Nickel
RV-CTR-12-ORB	Tie/Scarf Organizer	11 7/8" (302 mm) - 18 1/2" (470 mm) L	Oil Rubbed Bronze
RV-CTR-14-SN	Tie/Scarf Organizer	13 7/8" (353 mm) - 21 7/8" (556 mm) L	Satin Nickel
RV-CTR-14-ORB	Tie/Scarf Organizer	13 7/8" (353 mm) - 21 7/8" (556 mm) L	Oil Rubbed Bronze
RV-CBSR-14-SN	Belt/Scarf Organizer	13 7/8" (353 mm) - 21 7/8" (556 mm) L	Satin Nickel
RV-CBSR-14-ORB	Belt/Scarf Organizer	13 7/8" (353 mm) - 21 7/8" (556 mm) L	Oil Rubbed Bronze

## TRC SERIES SIDE MOUNT TIE RACK

- Available in three finishes
- Available in two depths
- Holds up to 25 ties
- Full-extension, ball-bearing slide



DEPTH	TIES
12"	23
14"	25



PRODUCT #	DESCRIPTION	DIMENSIONS	FINISH
-----------	-------------	------------	--------

### 12" Side Mount Tie Rack (Individual Pack)

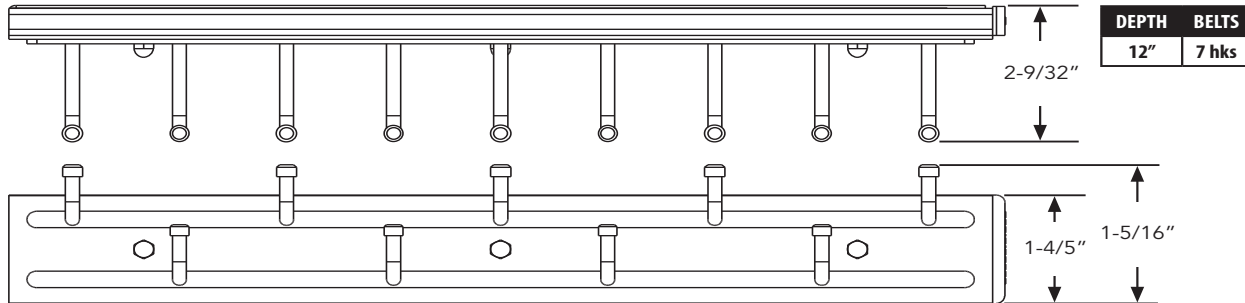
RV-TRC-12CR	Tie Rack	2 1/2" (62 mm) W x 12" (305 mm) D x 1 7/8" (46 mm) H	Chrome
RV-TRC-12SN	Tie Rack	2 1/2" (62 mm) W x 12" (305 mm) D x 1 7/8" (46 mm) H	Satin Nickel
RV-TRC-12ORB	Tie Rack	2 1/2" (62 mm) W x 12" (305 mm) D x 1 7/8" (46 mm) H	Oil Rubbed Bronze

### 14" Side Mount Tie Rack (Individual Pack)

RV-TRC-14CR	Tie Rack	2 1/2" (62 mm) W x 14" (356 mm) D x 1 7/8" (46 mm) H	Chrome
-------------	----------	--	--------

## BRC SERIES SIDE MOUNT BELT RACK

- Available in three finishes
- 12" and 14" depth closet application



PRODUCT #	DESCRIPTION	DIMENSIONS	FINISH
<b>12" Side Mount Belt Rack (Individual Pack)</b>			
RV-BRC-12CR	Belt Rack	2½" (62 mm) W x 12" (305 mm) D x 1⅞" (46 mm) H	Chrome
RV-BRC-12SN	Belt Rack	2½" (62 mm) W x 12" (305 mm) D x 1⅞" (46 mm) H	Satin Nickel
RV-BRC-12ORB	Belt Rack	2½" (62 mm) W x 12" (305 mm) D x 1⅞" (46 mm) H	Oil Rubbed Bronze

## TRC SERIES STATIC TIE RACK

- Available in three finishes
- Holds up to 23 ties
- Easy installation



PRODUCT #	DESCRIPTION	DIMENSIONS	FINISH
<b>Static Tie Rack (Individual Pack)</b>			
RV-TRC-12NS-CR	Static Tie Rack	1⅞" (48 mm) W x 11¾" (299 mm) D x 1¾" (45 mm) H	Chrome
RV-TRC-12NS-SN	Static Tie Rack	1⅞" (48 mm) W x 11¾" (299 mm) D x 1¾" (45 mm) H	Satin Nickel
RV-TRC-12NS-ORB	Static Tie Rack	1⅞" (48 mm) W x 11¾" (299 mm) D x 1¾" (45 mm) H	Oil Rubbed Bronze

## BRC SERIES STATIC BELT RACK

- Available in three finishes
- Holds up to 7 belts
- Easy installation



PRODUCT #	DESCRIPTION	DIMENSIONS	FINISH
<b>Static Belt Rack (Individual Pack)</b>			
RV-BRC-12NS-CR	Static Belt Rack	1⅞" (48 mm) W x 11¾" (299 mm) D x 1¾" (45 mm) H	Chrome
RV-BRC-12NS-SN	Static Belt Rack	1⅞" (48 mm) W x 11¾" (299 mm) D x 1¾" (45 mm) H	Satin Nickel
RV-BRC-12NS-ORB	Static Belt Rack	1⅞" (48 mm) W x 11¾" (299 mm) D x 1¾" (45 mm) H	Oil Rubbed Bronze



- Designed for 12", 15" and 18" vanity base cabinet drawers
- Complete drawer system, just add your drawer front
- Easy installation
- Maple construction with semi-gloss finish
- Full-extension, TANDEM, 110 lb. rated, concealed slides with BLUMOTION soft-close
- Up to (7) compartments and up to (5) acrylic bins
- Non-skid vinyl lining
- Mounts to cabinet side and rear wall
- Figure 8 door mounting brackets
- Carb II compliant



PRODUCT #	DESCRIPTION	DIMENSIONS	FINISH	SET PER CTN	WHT PER CARTON	SUGGESTED LIST PRICE
<b>Vanity Drawers w/ BLUMOTION Soft-Close for Face Frame Cabinetry</b>						
RV-4VDO-12SC-1	Single Drawer for 12"	9" (228 mm) W x 18 <sup>1</sup> / <sub>16</sub> " (474 mm) D x 4 <sup>5</sup> / <sub>16</sub> " (109 mm) H	Maple	1	14 lb.	\$154.85
RV-4VDOT-12SC-1	Tiered Drawer for 12"	9" (228 mm) W x 18 <sup>1</sup> / <sub>16</sub> " (474 mm) D x 8" (204 mm) H	Maple	1	20 lb.	\$214.30
RV-4VDOHT-12SC-1	Half Tiered Drawer for 12"	9" (228 mm) W x 18 <sup>1</sup> / <sub>16</sub> " (474 mm) D x 8" (204 mm) H	Maple	1	19 lb.	\$203.75
RV-4VDO-15SC-1	Single Drawer for 15"	12" (304 mm) W x 18 <sup>1</sup> / <sub>16</sub> " (474 mm) D x 4 <sup>5</sup> / <sub>16</sub> " (109 mm) H	Maple	1	16 lb.	\$171.95
RV-4VDOT-15SC-1	Tiered Drawer for 15"	12" (304 mm) W x 18 <sup>1</sup> / <sub>16</sub> " (474 mm) D x 8" (204 mm) H	Maple	1	22 lb.	\$239.85
RV-4VDOHT-15SC-1	Half Tiered Drawer for 15"	12" (304 mm) W x 18 <sup>1</sup> / <sub>16</sub> " (474 mm) D x 8" (204 mm) H	Maple	1	21 lb.	\$223.90
RV-4VDO-18SC-1	Single Drawer for 18"	15" (380 mm) W x 18 <sup>1</sup> / <sub>16</sub> " (474 mm) D x 4 <sup>5</sup> / <sub>16</sub> " (109 mm) H	Maple	1	18 lb.	\$189.95
RV-4VDOT-18SC-1	Tiered Drawer for 18"	15" (380 mm) W x 18 <sup>1</sup> / <sub>16</sub> " (474 mm) D x 8" (204 mm) H	Maple	1	24 lb.	\$261.60
RV-4VDOHT-18SC-1	Half Tiered Drawer for 18"	15" (380 mm) W x 18 <sup>1</sup> / <sub>16</sub> " (474 mm) D x 8" (204 mm) H	Maple	1	23 lb.	\$243.00
<b>Vanity Drawers w/ BLUMOTION Soft-Close for Full Access Cabinetry</b>						
RV-4VDO-267FLSC-1	Single Drawer	10 <sup>1</sup> / <sub>2</sub> " (267 mm) W x 18 <sup>1</sup> / <sub>16</sub> " (474 mm) D x 4 <sup>5</sup> / <sub>16</sub> " (109 mm) H	Maple	1	14 lb.	\$161.30
RV-4VDOT-267FLSC-1	Tiered Drawer	10 <sup>1</sup> / <sub>2</sub> " (267 mm) W x 18 <sup>1</sup> / <sub>16</sub> " (474 mm) D x 8" (204 mm) H	Maple	1	20 lb.	\$226.60
RV-4VDOHT-267FLSC-1	Half Tiered Drawer	10 <sup>1</sup> / <sub>2</sub> " (267 mm) W x 18 <sup>1</sup> / <sub>16</sub> " (474 mm) D x 8" (204 mm) H	Maple	1	19 lb.	\$218.60
RV-4VDO-343FLSC-1	Single Drawer	13 <sup>1</sup> / <sub>2</sub> " (343 mm) W x 18 <sup>1</sup> / <sub>16</sub> " (474 mm) D x 4 <sup>5</sup> / <sub>16</sub> " (109 mm) H	Maple	1	16 lb.	\$179.90
RV-4VDOT-343FLSC-1	Tiered Drawer	13 <sup>1</sup> / <sub>2</sub> " (343 mm) W x 18 <sup>1</sup> / <sub>16</sub> " (474 mm) D x 8" (204 mm) H	Maple	1	22 lb.	\$252.20
RV-4VDOHT-343FLSC-1	Half Tiered Drawer	13 <sup>1</sup> / <sub>2</sub> " (343 mm) W x 18 <sup>1</sup> / <sub>16</sub> " (474 mm) D x 8" (204 mm) H	Maple	1	21 lb.	\$236.10
RV-4VDO-419FLSC-1	Single Drawer	16 <sup>1</sup> / <sub>2</sub> " (419 mm) W x 18 <sup>1</sup> / <sub>16</sub> " (474 mm) D x 4 <sup>5</sup> / <sub>16</sub> " (109 mm) H	Maple	1	18 lb.	\$198.45
RV-4VDOT-419FLSC-1	Tiered Drawer	16 <sup>1</sup> / <sub>2</sub> " (419 mm) W x 18 <sup>1</sup> / <sub>16</sub> " (474 mm) D x 8" (204 mm) H	Maple	1	24 lb.	\$277.50
RV-4VDOHT-419FLSC-1	Half Tiered Drawer	16 <sup>1</sup> / <sub>2</sub> " (419 mm) W x 18 <sup>1</sup> / <sub>16</sub> " (474 mm) D x 8" (204 mm) H	Maple	1	23 lb.	\$248.20



FEATURING **blum**

486-30VSBSC-SM-1

**486-BM Series:**

- Designed for 30" vanity sink base cabinets
- (1) 8 qt. container with handles, metallic silver
- (4) adjustable dividers
- Non-skid vinyl liner
- Maple construction with semi-gloss finish
- Full-extension, 90 lb. rated, concealed slides with BLUMOTION soft-close
- Mounts to cabinet floor
- (1) 8 qt. lid, white
- Carb II compliant

**486-SM Series:**

- Designed for 30" vanity sink base
- (2) acrylic bins
- (4) adjustable dividers
- Non-skid vinyl liner
- Maple construction with semi-gloss finish
- Full-extension, 90 lb. rated, concealed slides with BLUMOTION soft-close
- Mounts to cabinet side and rear wall
- Carb II compliant



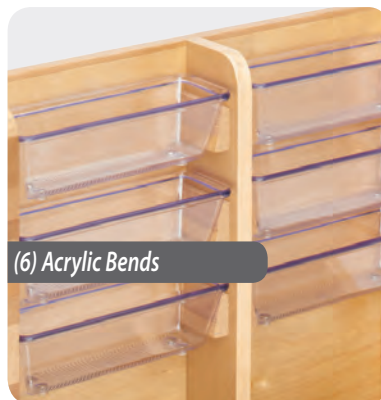
RV-486-30VSBSC-BM-1



ADJUSTABLE DIVIDERS

PRODUCT #	DESCRIPTION	DIMENSIONS	FINISH	SET PER CTN	WHT PER CARTON	SUGGESTED LIST PRICE
U-Shaped Vanity Pullouts w/ BLUMOTION Soft-Close						
RV-486-30VSBSC-BM-1	Bottom Mount Vanity Pullout	25 <sup>1</sup> / <sub>8</sub> " (652 mm) W x 18 <sup>1</sup> / <sub>8</sub> " (474 mm) D x 14 <sup>1</sup> / <sub>4</sub> " (362 mm) H	Maple	1	32 lb.	\$265.20
RV-486-30VSBSC-SM-1	Side Mount Vanity Pullout	27 <sup>1</sup> / <sub>8</sub> " (700 mm) - 28 <sup>3</sup> / <sub>4</sub> " (730 mm) W x 19" (483 mm) D x 6 <sup>1</sup> / <sub>2</sub> " (165 mm) H	Maple	1	32 lb.	\$246.40

- Designed for 24" and 30" vanity sink base cabinets
- Maple dovetail construction with semi-gloss finish
- Full-extension, TANDEM, 90 lb. rated slides with BLUMOTION soft-close
- Non-skid vinyl lining on lower level
- (6) acrylic bins for upper level
- Mounts to cabinet floor
- Carb II compliant



PRODUCT #	DESCRIPTION	DIMENSIONS	FINISH	SET PER CTN	WHT PER CARTON	SUGGESTED LIST PRICE
L-Shaped Vanity Organizers w/ BLUMOTION Soft-Close						
RV-441-12VSBSC-1	Vanity Organizer for 24"	8 $\frac{3}{4}$ " (223 mm) W x 18 $\frac{3}{4}$ " (477 mm) D x 18 $\frac{7}{8}$ " (479 mm) H	Maple	1	19 lb.	\$263.30
RV-441-15VSBSC-1	Vanity Organizer for 36"	11 $\frac{1}{8}$ " (296 mm) W x 18 $\frac{3}{4}$ " (477 mm) D x 18 $\frac{7}{8}$ " (479 mm) H	Maple	1	15 lb.	\$316.85



- Designed for 12", 15" and 24" vanity base cabinets
- Maple frame with semi-gloss finish
- Mounts to cabinet door
- Patented adjustable mounting brackets (US Patent No. 7,204,569)
- (2) non-skid vinyl shelves with acrylic accents
- Carb II compliant



PRODUCT #	DESCRIPTION	DIMENSIONS	FINISH	SET PER CTN	WHT PER CARTON	SUGGESTED LIST PRICE
Door Mount Vanity Storage Racks						
RV-4VR-12-1	Storage Rack for 12"	8¼" (209 mm) W x 3⅞" (80 mm) D x 15½" (394 mm) H	Maple	1	2.6 lb.	\$65.85
RV-4VR-15-1	Storage Rack for 15"	11¼" (285 mm) W x 3⅞" (80 mm) D x 15½" (394 mm) H	Maple	1	3 lb.	\$72.20
RV-4VR-24-1	Storage Rack for 24"	20¼" (514 mm) W x 3⅞" (80 mm) D x 15½" (394 mm) H	Maple	1	4.6 lb.	\$92.95



- Designed for 30" vanity base cabinets
- Single 8 qt. polymer container, metallic silver
- Maple dovetail frame with semi-gloss finish
- Mounts to cabinet door
- Patented pre-assembled adjustable door mount brackets (US Patent No. 7,204,569)
- (1) white lid
- Carb II compliant

PRODUCT #	DESCRIPTION	DIMENSIONS	FINISH	SET PER CTN	WHT PER CARTON	SUGGESTED LIST PRICE
Door Mount Vanity Waste Container						
RV-4SOWC-8-1	Single 8 qt.	10 $\frac{3}{8}$ " (264 mm) W x 7 $\frac{7}{8}$ " (187 mm) D x 12 $\frac{5}{8}$ " (312 mm) H	Metallic Silver/Maple	1	4 lb.	\$63.95

- Designed for 15" vanity sink base cabinets
- Single 8 qt. polymer container, metallic silver or single 35 qt.
- Full-extension, 110 lb. rated, concealed slides with BLUMOTION soft-close
- Rear storage
- Mounts to cabinet floor
- (1) white lid with 8 qt.
- Carb II compliant



PRODUCT #	DESCRIPTION	DIMENSIONS	FINISH	SET PER CTN	WHT PER CARTON	SUGGESTED LIST PRICE
Bottom Mount Vanity Waste Container w/ BLUMOTION Soft-Close for 15" Vanity Sink Base						
RV-4WCSC-128-19-1	Single 8 qt.	20 $\frac{5}{8}$ " (515 mm) W x 18 $\frac{1}{2}$ " (474 mm) D x 21 $\frac{1}{4}$ " (539 mm) H	Metallic Silver/Maple	1	20 lb.	\$247.80
Maple Bottom Mount Tandem w/BLUMOTION Soft-Close						
RV-4WCSC-1535DM19-1	Single 35 Qt. Kit w/Soft-Close reduced depth	12" (305 mm) W x 18 $\frac{1}{2}$ " (473 mm) D x 19 $\frac{1}{2}$ " (495 mm) H	Maple	1	20.8 lb.	\$287.40

- Designed for 18" base cabinet drawers
- Drawer front not included
- Maple construction with semi-gloss finish
- Full-extension, TANDEM, 110 lb. rated, concealed slides with BLUMOTION soft-close
- (2) 120V plugs and (2) 2.1 amp USB ports
- Tamper resistant outlets
- Max Current: AC: 12 amps @ 120VAC; USB 2.1 amp & 5 VDC
- cRUs recognized as a complete assembly to US962/CSA-C22.2 No. 0-10
- Power cord with NEMA 5 – 15 plug
- Integrated cord guide to ensure safe operation
- Door mount brackets
- Shock absorbent mat, black
- Carb II compliant
- Overall safety of this product is determined by its end use



**UP TO 16% FASTER CHARGING SPEED VS. COMPETITION!**



**INTEGRATED CORD GUIDE TO ENSURE SAFE OPERATION MOUNTS TO CABINET SIDE AND REAR WALL**

PRODUCT #	DESCRIPTION	PRODUCT DIMENSIONS	FINISH	SET PER CTN	WHT PER CARTON	SUGGESTED LIST PRICE
Charging Drawer w/ BLUMOTION Soft-Close						
RV-4WCDB-18SC-1	Charging Drawer for 18" Face Frame	15" (381 mm) W x 21" (533 mm) D x 4½" (114 mm) H	Maple	1	20 lb.	\$448.80
RV-4WCDB-18FLSC-1	Charging Drawer for 18" Full Access	16½" (419 mm) W x 21" (533 mm) D x 4½" (114 mm) H	Maple	1	20 lb.	\$445.60



- Designed for 27" to 40" vanity sink base cabinets
- Glossy polystyrene construction, almond or metallic silver
- Drop-in installation
- Protects the bottom of the cabinet from water damage
- Recommended for new construction only

See page 97 for Kitchen version



S: Metallic Silver, A: Almond

**TRAY CAPACITY**

- RV-SBVDT-2124 0.92 QT.
- RV-SBVDT-2730 1.23 QT.
- RV-SBVDT-3336 1.50 QT.



PRODUCT #	DESCRIPTION	DIMENSIONS	MINIMUM TRIM	FINISH	SET PER CTN	WHT PER CARTON	SUGGESTED LIST PRICE
<b>Vanity Drip Tray (Individual Pack)</b>							
RV-SBVDT-2124-A-1	Drip Tray	22½" (572 mm) W x 20¼" (515 mm) D x ¾" (19 mm) H	19½" (495 mm) W x 18½" (470 mm) D	Almond	1	3 lb.	\$47.25
RV-SBVDT-2124-S-1	Drip Tray	22½" (572 mm) W x 20¼" (515 mm) D x ¾" (19 mm) H	19½" (495 mm) W x 18½" (470 mm) D	Metallic Silver	1	3 lb.	\$52.05
RV-SBVDT-2730-A-1	Drip Tray	28½" (724 mm) W x 20¼" (515 mm) D x ¾" (19 mm) H	25½" (648 mm) W x 18½" (470 mm) D	Almond	1	4 lb.	\$52.50
RV-SBVDT-2730-S-1	Drip Tray	28½" (724 mm) W x 20¼" (515 mm) D x ¾" (19 mm) H	25½" (648 mm) W x 18½" (470 mm) D	Metallic Silver	1	4 lb.	\$57.85
RV-SBVDT-3336-A-1	Drip Tray	34½" (876 mm) W x 20¼" (515 mm) D x ¾" (19 mm) H	31½" (800 mm) W x 18½" (470 mm) D	Almond	1	4 lb.	\$58.45
RV-SBVDT-3336-S-1	Drip Tray	34½" (876 mm) W x 20¼" (515 mm) D x ¾" (19 mm) H	31½" (800 mm) W x 18½" (470 mm) D	Metallic Silver	1	4 lb.	\$64.40
<b>Vanity Drip Tray (Bulk Pack)</b>							
RV-SBVDT-2124-A-12	Drip Tray	22½" (572 mm) W x 20¼" (515 mm) D x ¾" (19 mm) H	19½" (495 mm) W x 18½" (470 mm) D	Almond	12	21 lb.	\$40.45 ea
RV-SBVDT-2124-S-12	Drip Tray	22½" (572 mm) W x 20¼" (515 mm) D x ¾" (19 mm) H	19½" (495 mm) W x 18½" (470 mm) D	Metallic Silver	12	21 lb.	\$44.65 ea
RV-SBVDT-2730-A-12	Drip Tray	28½" (724 mm) W x 20¼" (515 mm) D x ¾" (19 mm) H	25½" (648 mm) W x 18½" (470 mm) D	Almond	12	26 lb.	\$45.10 ea
RV-SBVDT-2730-S-12	Drip Tray	28½" (724 mm) W x 20¼" (515 mm) D x ¾" (19 mm) H	25½" (648 mm) W x 18½" (470 mm) D	Metallic Silver	12	26 lb.	\$49.60 ea
RV-SBVDT-3336-A-12	Drip Tray	34½" (876 mm) W x 20¼" (515 mm) D x ¾" (19 mm) H	31½" (800 mm) W x 18½" (470 mm) D	Almond	12	31 lb.	\$50.05 ea
RV-SBVDT-3336-S-12	Drip Tray	34½" (876 mm) W x 20¼" (515 mm) D x ¾" (19 mm) H	31½" (800 mm) W x 18½" (470 mm) D	Metallic Silver	12	31 lb.	\$55.10 ea

## FlexTape 3W

### TL-FLXTPE-NRHO

Maximum continuous run is 16.4' (5 m). Maximum per power supply is 20' (6 m). Mounts with adhesive backing. Cuttable every 1" (25 mm). To be used on clean, smooth surfaces. Pressure must be applied for proper 3M™ tape adhesion.



16.4' (5 m) 12VDC 3500K High Output FlexTape Roll (Neutral Color)



### Starter Cord

Starter Cord  
79 in.  
2 m



### Part #

### Description

TL-FLXTPE-NRHO	16.4' (5 m) 12VDC 3500K High Output FlexTape Roll (Neutral Color)
TL-LD-TPEPKT	79" (2 m) FlexTape Straight Starter Lead
TL-LED-TPELNK-TEE	Tee Link Connector
TL-LED-TPELNK-C90	90° Link Connector

### Tee Connector



### Right Angle Connector



## Power Supplies

Part #	Description
TL-DC-ELT60-CON	60W 12VDC Power Supply w/6 Snap Mounting Block
TL-DCE50D-CON	12VDC 50W Dimmable LED Power Supply
TL-TRAMNT-BL	Extra 6-Snap Mounting Block

12V DC power supply is equipped with a mounting block that allows for easy snap-in connections and includes a standard 110/120V cord and plug.

TL-DC-ELT60-CON



TL-DCE50D-CON



TL-TRAMNT-BL



TL-L-WLD-1RND-BL

### FREEDiM Series Micro Dimmer

Part #	Description
TL-L-WLD-1RND-BL	FREEDiM Series Micro Dimmer, Black
TL-L-WLD-1RND-NI	FREEDiM Series Micro Dimmer, Nickel
TL-L-WLD-1REC	12VDC 60W Universal FREEDiM Series Receiver



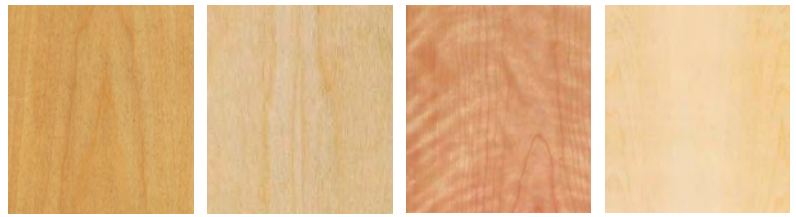
TL-L-WLD-1REC

## 3W EquiLine Puck

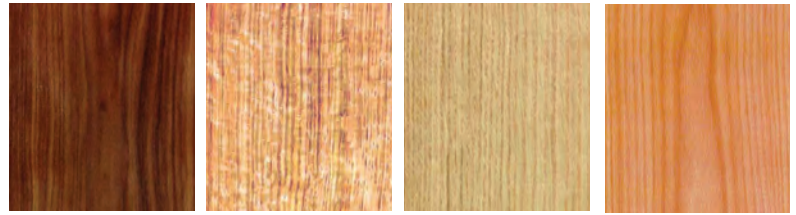


Part #	Description
TL-POC-3EQFR-CNI	3W EquiLine Puck 5000K - Nickel
TL-POC-3EQFR-WNI	3W EquiLine Puck 3000K - Nickel

25,000 useful life hours.  
2-1/4" (57 mm) hole required for recessed mounting.  
EquiLine includes starter cord 79" (2 m) and AMP® Connector with each light.



White Maple      White Birch      Cherry      Maple

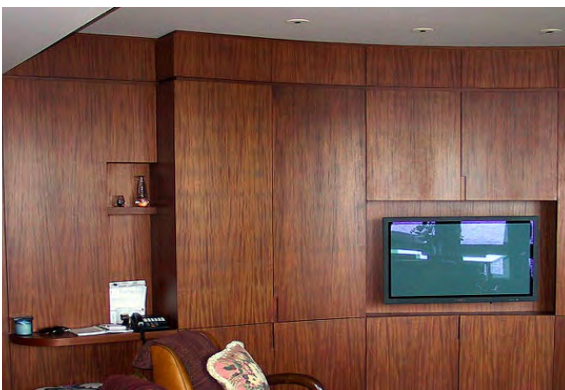


Walnut      QTR White Oak      Rift White Oak      Red Oak

PEEL & STICK WOOD VENEER		
Description	Size	Item Number
Cherry	2 x 8	ED-2X8CH-PS
Maple	2 x 8	ED-2X8MA-PS
Poplar	2 x 8	ED-2X8POPLAR-PS
Red Oak	2 x 8	ED-2X8RO-PS

WOOD VENEER			
Description	Size	Item Number	
Cherry	4 x 8 30 MIL	ED-CL706-4X8	
White Maple	4 x 8 30 MIL	ED-CL715-4X8	
White Birch	4 x 8 10 MIL	ED-CV704-4X8	
Cherry	4 x 8 10 MIL	ED-CV706-4X8	
White Maple	4 x 8 10 MIL	ED-CV715-4X8	
Red Oak	4 x 8 10 MIL	ED-CV717-4X8	

WOOD ON WOOD VENEER		
Description	Size	Item Number
Cherry	4 x 8	ED-WOW/CH-4X8
	5 x 8	ED-WOW/CH-5X8
Maple	4 x 8	ED-WOW/MA-4X8
	4 x 10	ED-WOW/MA-4X10
	5 x 8	ED-WOW/MA-5X8
Red Oak	4 x 8	ED-WOW/RO-4X8
	5 x 8	ED-WOW/RO-5X8
Walnut	4 x 8	ED-WOW/WAL-4X8
White Birch	4 x 8	ED-WOW/WB-4X8
White Oak Rift	4 x 8	ED-WOW/RWO-4X8



EDGEBOARDING		
Description	Size	Item Number
<b>No Glue</b>		
White Birch	5/8"	TH-RW5/8WB-500
Cherry	7/8"	TH-RW7/8CH-500
Maple	7/8"	TH-RW7/8M-500
Red Oak	7/8"	TH-RW7/8RO-500
Walnut	7/8"	TH-RW7/8WALNUT
Birch	7/8"	TH-RW7/8WB-500
<b>Pre-Finished No Glue</b>		
Maple	7/8"	TH-RW7/8MPF
Red Oak	7/8"	TH-RW7/8RO-PF
White Birch	5/8"	TH-RW5/8WB-PF
White Birch	7/8"	TH-RW7/8WB-PF
<b>Pre-Glued</b>		
Red Oak	2"	TH-RWP2RO
	7/8"	TH-RWP7/8RO-250
Birch	2"	TH-RWP2WB
	7/8"	TH-RWP7/8WAL-250
Cherry	13/19"	TH-RWP13/16CH250
	7/8"	TH-RWP7/8CH-250
Maple	7/8"	TH-RWP7/8M-250
Mahogany	7/8"	TH-RWP7/8MAH-250
Walnut	7/8"	TH-RWP7/8WB-250
<b>Pre-Finished Pre-Glued</b>		
White Birch	7/8"	TH-RWP7/8WB-PF

ARCHITECTURAL PANELS 11/16 MDF		
Description	Size	Item Number
Qtr/A-Rift White Oak	4'x8'	ED-11/16FB-48QWO
Cherry A/1 BM Seq Numbered		ED-11/16FB-4X8CH
Maple A/1 BM Seq Numbered		ED-11/16FB-4X8MA
R.Oak A/1 BM Seq Numbered		ED-11/16FB-4X8RO
P/S Walnut A1 Bmseq Number		ED-11/16FB4X8WL
Cherry A/1 BM Seq Numbered	4'x10'	ED-11/16FB-410CH
Maple A/1 BM Seq Numbered		ED-11/16FB-410MA
R.Oak A/1 BM Seq Numbered		ED-11/16FB-410RO
Walnut Bmseq Number P/S A1		ED-11/16FB410WL

**PANEL DETAILS:**

- Sequenced as flitches will allow.
- Book-matched in a running sequence match
- Manufactured 1" oversize to allow for saw kerfs and absorb edge dings
- Are clearly marked on the edges to show sequences
- Clearly stamped on the edges as "Architectural Panels Plus"
- No shop grade panels
- Other species and sizes are available on special order

## PLYWOOD

Item Number	Birch 4'x8'
P-1/2NB-4X8-A3VC	1/2" Natural A3 2S (VC)
P-1/4B-B4-MDF4X8	1/4" Natural (RC-B4-MDF)
P-5/8WB-C2-VC4X8	5/8" White Birch (C2 VC) IPC
P-3/4B-A2-PB4X8	3/4" White (RC-A2-PB)
P-3/4B-A3-MDF4X8	3/4" Natural (RC-A3-MDF)
P-3/4B-C2-VC4X8	3/4" White (RC-C2-VC) (Ipc)
P-1B-C2-VC-4X8	1" C2 VC

Item Number	Cherry 4'x8'
P-1/2CH-A2-VC4X8	1/2" (PS-A2-VC)
P-1/4CH-A1-FB4X8	1/4" (PS-A1-MDF)
P-1/4CH-A4-FB4X8	1/4" (PS-A4-MDF)
P-3/4CH-A1-FB4X8	3/4" (PS-A1-MDF)
P-3/4CH-A2-VC4X8	3/4" (PS-A2-VC)

Item Number	Maple 4'x8'
P-1/2M-B2-VC4X8	1/2" White (RC-B2-VC)
P-1/4M-A1-MDF4X8	1/4" White (PS-A1-MDF)
P-1/4M-A4-MDF4X8	1/4" White (RC-A4-MDF)
P-3/4M-A1CC4X8RC	3/4" Sap Classic Core R/C Nauf
P-3/4M-A1-MDF4X8	3/4" White (PS-A1-MDF)
P-3/4M-A2-PB-4X8	3/4" White PS-A2-PB
P-3/4M-B2-PB4X8	3/4" White (RC-B2-PB)
P-3/4M-B2-VC4X8	3/4" White (RC-B2-VC)
P-3/4MB2-VC4X8RN	3/4" Rotary Natural (RC-B2-VC)

Item Number	Red Oak 4'x8'
P-1/2RO-B2-VC4X8	1/2" (PS-B2-VC)
P-1/4RO-A4-FB4X8	1/4" (PS-A4-MDF)
P-1/4ROD-A4VC4X8	1/4" Domestic(RS-A4-VC)
P-3/4RO-A2-FB4X8	3/4" (PS-A2-MDF)
P-3/4RO-A3-FB4X8	3/4" (PS-A3-MDF)
P-3/4RO-B2-VC4X8	3/4" (PS-B2-VC)
P-3/4RO-A2-PB4X8	3/4" (PS-A2-PB)

Item Number	Prefinished White Maple 4'x8'
P-1/4MPF1B2-4X8S	1/4" Shop 1 Side White (RC-B2-MDF)
P-1/2MPF1B2-4X8	1/2" 1Side (RC-B2-VC)
P-1/2MPF2B2-4X8	1/2" 2Side (RC-B2-VC)
P-1/2MPF1B2-4X8S	1/2" Shop 1Side (RC-B2-VC)
P-1/2MPF2B2-4X8S	1/2" Shop 2Side (RC-B2-VC)
P-1/2MPFA1CC4X8	1/2" WPF A/1 UV Classic Core
P-1/2MPFA2CC4X8	1/2" WPF A/2 UV Classic Core
P-1/2MPFA2VC4X8	1/2" WPF A/2 UV
P-1/4MPF1B2-4X8	1/4" 1Side (RC-B2-MDF)
P-3/4MPF1B2-4X8	3/4" 1Side (RC-B2-VC)
P-3/4MPF1B2-4X8S	3/4" Shop 1Side (RC-B2-VC)
P-3/4MPF2B2FB48S	3/4" Shop 2Side (RC-B2-MDF)
P-3/4MPF2B2FB4X8	3/4"-2Side (RC-B2-MDF)
P-3/4MPF2B2VC4X8	3/4" Shop 2Side (RC-B2-VC)
P-3/4MPF2B2VC4X8S	3/4"-2Side (RC-B2-VC)
P-5/8MPF2B2-4X8	5/8" 2Side (RC-B2-VC)
P-5/8MPF2B2-4X8S	5/8" Shop 2Side (RC-B2-VC)

Item Number	Baltic Birch 5'x5'
P-1/2BLTBIRVC5X5	1/2" (12mm) (VC)
P-3/4BLTBIRVC5X5	3/4" (18mm) (VC)

Item Number	Prefinished 4'x8'
P-1/2BPF1VC4X8	12mm UV 1Side Wht Birch(VC)RC Imp
P-1/2BPF2VC4X8	12mm UV 2Side Wht Birch(VC)RC Imp
P-1/4BPF1VC4X8	5.2mm UV 1Side Wht Birch(VC)RC Imp
P-3/4BPF1VC4X8	18mm UV 1Side Wht Birch(VC)RC Imp
P-3/4BPF2VC4X8	18mm UV 2Side Wht Birch(VC)RC Imp

Item Number	Arauco (Radiata Pine) 4'x8'
P-3/4-4X8-AR-AB	3/4" AB VC (18mm) Nauf/mr
P-3/4-4X8-AR-AC	3/4" AC VC (18mm) Nauf/mr

Item Number	4'x8'
P-1/4LUAN-VC4X8	1/4" Pencil Cedar (VC)
P-1/2KAPFA1MP4X8	1/2" Knotty Adler 1S Maple UV CC
P-1/2WO-A1-VC4X8	1/2" White Oak (PS A1 VC)
P-3/4-4X8LUAN	3/4" Pencil Cedar
P-3/8-8X4BENDPLY	3/8" Bending Luan (4'tall Radius)
P-23/32OSB-4X8	23/32" (3/4") Oriented Strand Board
P-3/4MDO-2SVC4X8	3/4" MDO-Paper 2Sides (Fir Ext Core)
P-3/4-4X8-C-LAM	3/4" Classic Lam VC
P-3/4KA-4X8-VC	3/4" Knotty Alder CC VC
P-3/4MH-A1-FB4X8	3/4" Mahogany-khaya (PS-A1-MDF)
P-3/4-POPLAR-4X8	3/4" 18mm I/II Poplar Phenolic
P-3/4WAL-A1FB4X8	3/4" Walnut (PS-A1-MDF)
P-3/4WO-A1-VC4X8	3/4" White Oak (PS A1 VC)

## PARTICLE BOARD

### General Board

Size	Item Number
3/8"	5'x8' RP-3/8-5X8
1/2"	4'x8' RP-1/2-4X8
5/8"	4'x8' RP-5/8-4X8
3/4"	30"x10' RP-3/4-30X10
	30"x12' RP-3/4-30X12
	30"x8' RP-3/4-30X8
	3'x10' RP-3/4-3X10
	3'x12' RP-3/4-3X12
	3'x8' RP-3/4-3X8
	4'x10' RP-3/4-4X10
	4'x12' RP-3/4-4X12
	4'x8' RP-3/4-4X8
	5'x10' RP-3/4-5X10
	5'x12' RP-3/4-5X12
	5'x8' RP-3/4-5X8
1"	4'x8' RP-1-4X8
1 1/8"	3'x12' RP-11/8-3X12
	4'x10' RP-11/8-4X10
	4'x8' RP-11/8-4X8
	5'x8' RP-11/8-5X8
	5'x12' RP-11/8-5X12
	30x145 RP-11/8-30X12

### Ultra Blend Plus For Laminate

Size	Item Number
11/16"	4'x8' RP-11/16-4X8PLUS
	5'x8' RP-11/16-5X8PLUS
	5'x12' RP-11/16-5X12UP
1 1/8"	5'x12' RP-11/8-5X12PLUS
3/4"	4'x8' RP-3/4-4X8PLUS

### Sky Blend Low Formaldehyde Moisture Resistant

Size/Description	Item Number
1/2" 4'x8'	RP-1/2-4X8-SKFSC
11/16" 4'x8'	RP-11/16-4X8SKFS
3/4" 4'x8'	RP-3/4-4X8-SKFSC
4'x8'	RP-3/4-4X8-SKY-B
4'x8'	RP-3/4-4X8-SKY-G
4'x12'	RP-3/4-412-SKFSC
5'x8'	RP-3/4-5X8-SKY
5'x12'	RP-3/4-5X12-SKY
25"X97"	RP-3/4-25X97MR
1" 4'x8'	RP-1-4X8-SK-FSC

## MDF

### General Board

Size	Item Number
3/8	4'x8' FB-3/8-4X8
1/2"	4'x8' FB-1/2-4X8
5/8"	4'x8' FB-5/8-4X8
11/16"	4'x8' FB-11/16-4X8
	4'x10' FB-11/16-4X10
3/4"	4'x10' FB-3/4-4X10
	4'x12' FB-3/4-4X12
	4'x8' FB-3/4-4X8
	5'x10' FB-3/4-5X10
	5'x8' FB-3/4-5X8
15/16"	4'x8' FB-15/16-4X8
1"	4'x8' FB-1-4X8
1 1/8"	4'x8' FB-11/8-4X8
5.2mm	4'x8' FB-5-2MM-4X8
5.5mm	4'x8' FB-5-5MM-4X8

### Smooth Hardboard

Size/Description	Item Number
1/8" 4'x8' 1 Side	FB-1/8-4X8-S1S
2 Side	FB-1/8-4X8-S2S

### MDF NAUF

Size	Item Number
3/4"	4'x8' FB-3/4-4X8NAUFSC

### Fire Rated

Size	Item Number
3/4"	4'x8' FB-3/4-4X8FRFSC

### Ultra Light Weight Trupan

Size	Item Number
1/2"	4'x8' FB-1/2-4X8-ULTRA
3/4"	4'x8' FB-3/4-4X8TRUPAN
1"	4'x8' FB-1-4X8TRUPAN

### Premium Plus

Size	Item Number
3/4"	4'x8' FB-3/4-4X8-PLUS
	5'x12' FB-3/4-5X12-PREM

### Medex Moisture Resistant

Size	Item Number
3/4"	4'x8' FB-3/4-4X8-MEDEX

Stock Subject To Change

# STOCK BOARD

## MELAMINE

Size	Item Number	Description	Size	Item Number	Description
1/4" 4'X8'	RM-1/4-4X8-20/22	MDF Folkstone/London Gray 1 Side each	3/4" 4'X10'	RM-3/4-410-109-2	PB #109 Antique White 2 Side
	RM-1/4FB-4X8HDRK	Hardrock Maple 1 Side MDF		RM-3/4-410-120-2	PB Glacier White 2 Side
	RM-1/4FB-4X8BWFS	Black 1Side White 1Side MDF NAUF/FSC		RM-3/4-410-318-2	PB #318 June Mahogany 2 Side #340
	PW-LE-1/4-4X8A1	Almond Foil 1 Side MDF		RM-3/4-410-340-2	Napa Cherry 2 Sides
	PW-LE-1/4-4X8BK1	Black Foil 1 Side MDF		RM-3/4-410-663-2	PB G663 Chocolate Apple 2 Side PB
PW-LE-1/4-4X8W1	White Foil 1 Side MDF	RM-3/4-410-665-2		665 2 Side Wild Apple	
PW-LE-1/4-4X8W2W	White Foil 2 Side MDF	RM-3/4-410-961-2		PB #961 Fog / 22 London Grey 2 Side	
1/4" 5'X8'	ST-1/4-5X8-L02-2	MDF 2 Side Legno Sabbia Tokaj Alder		RM-3/4-4X10-W200	#11 White 2 Side
	ST-1/4-5X8-L03-2	MDF 2 Side Legno Aliso Tokaj Alder		WM-3/4-410-108-2	PB D381-60 Fashion Grey 2 side PB
	ST-1/4-5X8-L05-2	MDF 2 Side Legno Alno Tokaj Alder		WM-3/4-4X10A2	D30-60 Almond 2 side
	ST-1/4-5X8-L07-2	MDF 2 Side Legno Siberian Tokaj Alder	WM-3/4-410-4823	#4823 Antique Brush PB 2 Side	
ST-1/4-5X8-L09-2	MDF 2 Side Legno Kyushu Tokaj Alder	3/4" 5'X8'	RM-3/4-5X8-108-2	#108 Folkstone 2 Sides	
1/2" 4'X8'	RM-1/2-4X8A2		#16 Almond 2 Side PB	RM-3/4-5X8-109-2	109 Antique White 2 Side
	RM-1/2-4X8B2		Black #6 2 Side	RM-3/4-5X8-120-2	120 Glacier White 2 Side
	RM-1/2-4X8HDRK-1		Hardrock Maple 1 Side	RM-3/4-5X8-273-2	PW W273 Mahogany Clove PB Core 2 Side
	RM-1/2-4X8HDRK-2		Hardrock Maple 2 Side	RM-3/4-5X8-366-2	#366 Pearwood PB 2 Side
	RM-1/2-4X8W1		PB Oxford White Side	RM-3/4-5X8-55-2S	Hardrock Maple 2 Side PB
RM-1/2-4X8W2	PB Oxford White 2 Side		RM-3/4-5X8-661-2	#661 Carapple 2 Sides	
5/8" 4'X8'	RM-5/8-4X8-120-2		PB Glacier White 2 Side	RM-3/4-5X8-663-2	PB 663 2 Side Chocolate Apple
	RM-5/8-4X8A2		#16 Almond 2 Sides	RM-3/4-5X8-665-2	PB 665 2 Side Wild Apple
	RM-5/8-4X8W2		#291 Oxford White PB 2 Side	RM-3/4-5X8A2	PB #16 Almond 2 Side
	PW-5/84X8-565406	S565 Storm/s406 Silver Grey Westcore	RM-3/4-5X8B2	PB Black 2 Side	
3/4" 4'X8'	RM-3/4-4X8-120-1	PB Glacier White 1 Side	RM-3/4-5X8CHBLOS	CF Cherry Blossom #453 2 Side	
	RM-3/4-4X8-22-2S	#22 London Gray PB 2 Side Western	RM-3/4-5X8W2	PB Oxford Lite Core Wht 2 Side	
	RM-3/4-4X8-22WST	Core #22 London Gray 2 Side #16	RM-3/4-5X8W2-SKY	PB #11 White 2 Side Skyblend	
	RM-3/4-4X8A2	Almond 2 Side	WM-3/4-5X8-7040	PB 7040-60 Figured Mahogany 2 Side PB	
	RM-3/4-4X8B2	PB Black#6 2 Side	WM-3/4-5X8-7054	7054-60 Wild Cherry 2 Side	
	RM-3/4-4X8B2SKFS	PB Black 2 Side Skyblend FSC	WM-3/4-5X8-7919	KOK PB 7919-38 Amber Cherry 2 Side PB	
	RM-3/4-4X8FG2	PB Folkstone #108 2 Side	ST-3/4-5X8-043R2	#043 Pearl White Rain 2 Side	
	RM-3/4-4X8HDRK-2	Hardrock Maple 2 Side	ST-3/4-5X8-174R2	PB #174 Black Rain 2 Side	
	RM-3/4-4X8HR2PLY	CFC 055 055 Hardrock Maple 2 Side	ST-3/4-5X8-529A2	PB #529 Takase Teak Artika 2 Side	
	RM-3/4-4X8W1	PB Oxford White Side Lite	ST-3/4-5X8-533A2	PB #533 Midnight Echo Artika 2 Side	
	RM-3/4-4X8W1WEST	Western Core PB #011 White Side PB	ST-3/4-5X8-596R2	PB #596 Morning Fog Rain 2 Side	
	RM-3/4-4X8W2	Oxford White 2 Side	ST-3/4-5X8-648A2	PB #648 Ebony Artika 2 Side	
	RM-3/4-4X8W2-PLY	CFC 011 White 2 Side Plywood Core	ST-3/4-5X8-G85R2	PB #G85 White Zebrine Rain 2 Side	
	RM-3/4-4X8W2-PW	White 2 Side Plywood Core	ST-3/4-5X8-G87A2	PB#G87 Cannella Rustik Artika 2 Side	
	RM-3/4-4X8W2SKFS	Oxford Wht 2 Side Sky/FSC	ST-3/4-5X8-L02-2	PB 2 Side Legno Sabbia Tokaj Alder	
	RM-3/4-4X8W2-SKY	PB #11 White 2 Side Skyblend	ST-3/4-5X8-L03-2	PB 2 Side Legno Aliso Tokaj Alder	
	RM-3/4-4X8W2WEST	Western Core PB #011 White 2 Side	ST-3/4-5X8-L05-2	PB 2 Side Legno Alno Tokaj Alder	
	RM-3/4FB-4X8W2	MDF Oxford White 2 Side	ST-3/4-5X8-L07-2	PB 2 Side Legno Siberian Tokaj Alder	
	WM-3/4-4X8-1500	PB 1500-60 Solid Grey 2 Side	ST-3/4-5X8-L09-2	PB 2 Side Legno Kyushu Tokaj Alder	
	WM-3/4-4X8-7909	PB 7909-60 Fusion Maple 2 Side PB	ST-3/4-5X8-W29A2	PB #W29 Gregio Pine Artika 2 Side	
WM-3/4-4x8-4879	4879-38 Steel Mesh 2 Side	ST-3/4-5X8-W51A2	PB#W51 Richmond Cherry Artika 2 Side		
WM-3/4-4x8-49391	PB 4939-18 Vapor Strandz 1S/Wh1	ST-3/4-5X8-W53A2	PB#W53 Ariz Cypress II Artika 2 Side		
			ST-3/4-5X8-W64A2	PB #W64 Dahat Teak Artika 2 Side	
			ST-3/4-5X8W300AL	PB #300 White 2 Side Alder Finish	
			3/4" 5'X10'	ST-3/4-5X10B2	Black SM-174 2-SIDE PB PB
				RM-3/4-5X10W2	Oxford White 2 Side
			1" 4'X8'	RM-1-4X8W2	W11 Oxford White 2 Side
				RM-1-4X8-W2-SKY	White 2 Side Skyblend

Stock Subject To Change

## Blended Hard Rock Maple

### Kitchen Counter Tops - (KCT-BL Models)

Blended kitchen counter tops are a full character offering of nature's design at its best. Manufactured with random lengths of finger-jointed interior rails, the Blended KCT series offers a harmonious blend of heartwood, sap, natural mineral, and grain.

#### Available Sizes

Width: 25" - 42"

Length: 12" - 145"

Thickness: 1-1/2"

Detached Riser Options

The Boos® Extra 1" Edge: All counter tops in standard lengths of 8' or longer are manufactured with 1" added to the length. This is another exclusive Boos® bonus offering for fabricating a long block into two shorter blocks, allowing room for the saw cut, yet maintaining the full length of both block requirements.



### Maple Slabs In Stock

Item Number	Stock Maple Slab Sizes w/ Varnique Conversion Finish
JB-25X121-VAR	1½" x 25" x 121"
JB-25X48-VAR	1½" x 25" x 48"
JB-25X60-VAR	1½" x 25" x 60"
JB-25X72-VAR	1½" x 25" x 72"
JB-25X97-VAR	1½" x 25" x 97"
JB-30X60-VAR	1½" x 30" x 60"
JB-30X72-VAR	1½" x 30" x 72"
JB-36X60-VAR	1½" x 36" x 60"
JB-36X72-VAR	1½" x 36" x 72"

#### Special Orders

- Special Size
- Oiled Finish
- Ultra Premium - Full Length Rails
- Species Available  
American Black Walnut  
American Cherry  
Appalachian Red Oak

### Boos Mystery Oil - 16oz

Item Number

JB-MYS-12



### (EZ-DO) Non-Toxic Polyurethane Gel Wood Protection & Sealant - Pint

Item Number

JB-EZ-16C





# EDGEBOARDING

## 15/16" x .018" 600' RollFlexedge

Item Number	Color
RH-C100019	Antique White
RH-C600243-GREY	LEGRABOX GREY
RH-C600244-INOX	LEGRABOX GREY
RH-CP20234	Fonthill Pear
RH-CP30078	GORDON CHERRY
RH-CP40097	Amber Cherry
RH-CP40618	River Cherry
RH-CP40707	Studio Teak
RH-CP40867	Skyline Walnut
RH-CP60107	Asian Night
RH-C100007	Designer White
RH-C200008	Almond
RH-CP40121	Congo Spruce
RH-CP40816	Amber Cherry
RH-C100046	Ivory
RH-C600257	London Grey
RH-CP30101	Mahogany
RH-CP40071	Wild Cherry
RH-CP20046	Cabinet Maple
RH-CP20564	Fusion Maple
RH-CP40108	Mocha
RH-C100081	Stucco White
RH-CP20013	Fusion Maple
RH-CP40244	Chocolate Apple
RH-C600254	Folkstone
RH-C600001	Black
RH-C100142	White
RH-C100144	Antique White
RH-CP20312	Hard Rock Maple
RH-CP41035	Lowill Ash
RH-C100033	White
RH-CP40010	Pearwood
RH-CP30089	Harvest Cherry
RH-CP40112	CARAMEL
RH-CP30220	MAHAGONY

## 5/8" x .018" 600' Roll Thin Edge

Item Number	Color
RH-5/8-C100033	White

## 1 15/16" x .02" 600' Roll

Item Number	Color
RH-CP40621	Biltmore Cherry
RH-1-5/16-7994	Lowell Ash

## 1 15/16" x 3mm 300' Roll

Item Number	Color
RH-C600001-3R	Black
RH-7953-3	Harvest Maple
RH-7994-3M	Lowell Ash
RH-C100033-3	White
RH-C200008-3	Almond

## 1.5mm x 43mm 150 meter Roll

Item Number	Color
RH-1-3/4-90806	Aluminum

## 1 15/16" x 3mm 300' Roll

Item Number	Color
RH-1-5/16-7909-3	Fusion Maple
RH-1-5/16C600254	Folkstone
RH-1-5/16-D315-3	Platinum
RH-1-5/16-D96-3	Shadow
RH-1-5/16-ST604	Coffee Bean
RH-CP40603-3F	Huntington Maple
RH-1-5/16-1573-3	Frosty White
RH-1-5/16-7919-3	Amber Cherry
RH-1-5/16CP40010	Vosges Pear II
RH-1-5/16-D90-3	North Sea
RH-CP30078-3F	Empire Mahogany
RH-CP40112-3F	Honey Maple
RH-CP40228-3F	Wild Apple
RH-CP40244-3F	Chocolate Apple
RH-1-5/16-4669-3	Natural Tigris
RH-1-5/16C600036	Pewter
RH-1-5/16C600243	Storm
RH-C100033-3M	White
RH-1-5/16C600244	Gunmetal
RH-1-5/16-D327-3	Pepper Dust
RH-CP20046-3F	Hard Rock Maple
RH-1-5/16-7054-3	Wild Cherry
RH-C200008-3F	Almond
RH-1-5/16C600005	Graphite
RH-1-5/16C100079	White
RH-1-5/16BK-3F	Black
RH-1-5/16-7994-3	Lowell Ash
RH-C600001-3F	Black

## 15/16" x 1mm 600' Roll

Item Number	Color
RH-C600001-1MM	Black
RH-C200008-1	Almond
RH-C100033-1	White
RH-C600254-1MM	Folkstone
RH-CP20312-1MM	Hard Rock Maple
RH-CP30089-1MM	Wild Apple
RH-CP40108-1MM	Cocoa Maple
RH-CP30101-1MM	Mahogany
RH-C100144-1MM	Antique White
RH-CP40244-1	Chocolate Apple
RH-C100142-1M	White

## 15/16" x 2mm 300' Roll

Item Number	Color
RH-C600001-2	Black

## 15/16" x 3mm 300' Roll

Item Number	Color
RH-C100046-3	Antique White
RH-4669-3	Natural Tigris

## Cross Reference for Wilsonart Laminates 15/16" x .018" Edgelanding

Edgeland Item Number	Laminate Number
RH-CP40071	WV7054-60
RH-C100007	WVD354-60
RH-C100033	WV1573-60
RH-CP20046	WV10776-60
RH-C600001	WV1595-60
RH-CP20564	WV7909-60
RH-C600257	WVD92-60
RH-CP41035	WV7994-38
RH-CP40816	WV7919-78
RH-CP40121	WV7925-38
RH-CP40097	WV7919-38
RH-CP40707	WV7960-18
RH-C400051	WVD96-60
RH-CP60107	WV7949-18
RH-CP40618	WV7937-38
RH-CP40621	WV7924-7
RH-CP20234	WV10745-60
RH-7964K-12	WV7964-12
RH-C100033	WVD427-60
RH-C600254	WVD381-60

## Cross Reference for Formica Laminates 15/16" x .018"

Edgeland Item Number	Laminate Number
RH-C600257	961-58
RH-CP40721	7738-58
RH-CP40996	5884-58
RH-CP20826	5883-58
RH-CP40007	7759-43
RH-CP20006	346
RH-C600005	837-58
RH-CP40911	8847-58
RH-CP40899	6208-43
RH-CP20832	7747-58
RH-C100033	7197-58
RH-CP20776	8826-58
RH-CP20761	8844-WR
RH-CP40071	5904-43



## RAUBOND Edgebanding Adhesive

### Contour Adhesive

Low viscosity hot melt with fast melting properties, long open time as well as good color and heat stability in the melt. Suitable materials include PVC, ABS, PP, paper and polyester.

Item Number	Description
RH-T2-CB-PN	Natural Pellets 55lb Bag

### Cartridge Adhesive

Medium-high viscosity EVA edgebanding hot melt that is very economical with good color and heat stability in the melt. Excellent wetting and adhesion properties. Suitable for primed HPL, solid wood, veneer, resin-impregnated paper edgebands, PVC, ABS, PP and similar. For HPL, primer should be used consisting of RAUBOND HPL Primer (Art. 124600-001) diluted with water 50:50. Due to differences in HPL, it is strongly recommended to carry out suitability tests prior to production.

Item Number	Description
RH-T2-CN	Natural Cartridge 35lb Bag

### Pellet Adhesive

Medium-high viscosity EVA edgebanding hot melt with good color and heat stability in the melt. Hot melt has good wetting and adhesion properties and offers improved performance and good value. Edge materials include veneer, solid wood, resin impregnated paper edgebands, PVC, ABS, PP and primed HPL.

Item Number	Description
RH-T2-PBR	Brown Pellets 55lb Bag
RH-T2-PN	Natural Pellets 55lb Bag
RH-T2-PW	White Pellets 55lb Bag

## Roo Clear

is the ideal product to bond a variety of materials and substrates. Clear-drying Roo Clear is easy to use and perfect for bonding difficult nonporous materials like melamine, vinyl, PVC edge banding and decorative surfaces to porous substrates. Roo Clear also works great on lacquer, UV coated, painted or other finished surfaces.

Item Number	Size
FR-ROO-1	16oz
FR-ROO-16OZ	1 Gallon





**VANILLA PAINTERS TAPE GENERAL USE 2020**

- 3M-TAPE-VL-1 1 inch
- 3M-TAPE-VL-1-1/2 1-1/2 inch
- 3M-TAPE-VL-2 2 inch

This tape has good adhesion, holding power, and provides good paint lines. Use for general purpose masking projects where surfaces are not easily damaged. This is a high adhesion tape good for production masking applications such as taping paper or hanging poly.

**GREEN PAINTERS TAPE HARD-TO-STICK #2060**

- 3M-TAPE-GR-1 1 inch
- 3M-TAPE-GR-1-1/2 1-1/2 inch
- 3M-TAPE-GR-2 2 inch

This tape is designed for use with, or on, lacquer coatings. It will not lift, curl or transfer adhesive with most lacquers. This tape offers high adhesion on rough, uneven or hard-to-stick surfaces. It conforms well to most surfaces and produces an excellent paint line.

**VANILLA PAINTERS TAPE HIGH TACK 2040**

- 3M-21200-02992-9 1 inch
- 3M-21200-02993-6 2 inch

Use for wood staining applications. Ideal for use in cool temperatures under 50 F. Removes cleanly and evenly. Conforms well to most surfaces to produce excellent paint lines. Do not use on easily damaged surfaces such as wall paper, wallboard and ceiling tile.

**BLUE PAINTERS TAPE PAINT/GLASS #2090**

- 3M-TAPE-BL-1 1 inch
- 3M-TAPE-BL-1-1/2 1-1/2 inch
- 3M-TAPE-BL-2 2 inch

This tape delivers sharp paint lines. This tape removes cleanly for up to 14 days without surface or paint damage, even when exposed to direct sunlight. Has a medium adhesion level and is ideal for painted walls, metal, curved or uneven surfaces, wood, trim, and glass.

**101+ ECONOMY MASKING TAPE**

- 3M-51115-68708-2 1 inch
- 3M-51115-68709-9 1-1/2 inch
- 3M-51115-68710-5 2 inch

This tape fulfills a wide variety of needs around the shop. Peels off the roll smoothly, resists lifting or curling once applied, and remains in place around corners and over contoured surfaces. The rubber adhesive sticks instantly to paper, metal, wood, plastic, glass, and painted surfaces.

**PRE-TAPED PAINTER'S PLASTIC**

- 3M-51141-34065-4 24 inch
- 3M-51141-34067-8 48 inch

Pre-taped Painter's Plastic combines the versatility of Scotch-Blue™ Painters Tape with the added protection of a plastic drop cloth to protect against those accidental paint splatters and drips.

**Hand-Masker™ Advanced Masking Film**

- 3M-511141-95255-0 24 inch roll
- 3M-511141-90038-4 48 inch roll
- 3M-511141-90039-1 72 inch roll
- 3M-511141-90040-7 99 inch roll

3M™ Hand-Masker™ Advanced Masking film now with paint bond technology. 3M's most flake resistant film for multi-coat paint applications. Use for paint masking and over-spray protection

**PREMIUM QUALITY MASKING PAPER**

- 3M-MASKINGPAPER6 6 inch x 60 yards
- 3M-MASKINGPAPER9 9 inch x 60 yards
- 3M-51115-06904-8 18 inch x 60 yards

3M Hand Masker Premium Quality Masking Paper 3M™ Hand-Masker™ Premium quality is designed to minimize bleed-through. Use on the 3M™ Hand-Masker™ M3000 Dispenser

**PARTICULATE RESPIRATOR 8210, N95**  
3M-DUSTMASK-8210

This classic disposable N95 particulate respirator is designed to help provide comfortable, reliable worker respiratory protection against certain non-oil based particles.

**8511 N95 disposable respirator**  
3M-51138-54343-8

This disposable N95 particulate respirator features the proprietary 3M™ Cool Flow™ Valve and helps provide comfortable, reliable worker respiratory protection. It is ideally suited for hot/dusty work settings that require long periods of wear.



**Multi Acid Gas/Organic Vapor Cartridge 6006**  
3M-51138-54186-1

NIOSH approved against certain organic vapors, acid gases, ammonia, methylamine or formaldehyde. Use with 3M™ Half and Full Face pieces 6000, 7000 and FF-400 Series with bayonet filter holders



**ORGANIC VAPOR CARTRIDGE 6001**  
3M-5113821674

NIOSH approved against certain organic vapors. Use with 3M™ Half and Full Face pieces 6000, 7000 and FF-400 Series with bayonet filter holders.



**FILTER RETAINER 501**  
3M-RESPRETAINCLP

Pre Filter Retainer 501, used to clamp particulate pre-filters on to gas and vapor filters. For use with 3M Respirator 5000 Series, 3M Cartridges 6000 Series and 3M™ Filter Adapter 603



**Knit Rags 10 & 25lb box**

Item Number	Description
FS-RAG-10LB	White
FS-RAG-25LB	White
FS-RAG-25LB-TAN	Tan



**HAND-MASKER™ M3000 DISPENSER**  
3M-51131-77385-1

This Dispenser applies masking tape to masking film measuring up to 144" or to paper measuring up to 18" in one continuous application. Compact, lightweight, saves time. For professional heavy-duty use.



**FB12 HAND-MASKER FILM BLADE**  
3M-51131-06802-5 12 inch

For use with 3M™ Hand-Masker™ M3000 Tool Film Blades are made from durable stainless steel with a protective plastic blade guard. Can also be used for cutting paper



**CB12 HAND-MASKER PAPER BLADE**  
3M-51131-06796-7 12 inch

Paper Blades are used with the 3M™ Hand-Masker™ M3000 Dispenser to cut Masking Paper.



**Black Nitrile Gloves (No Powder) 100 per/box**

Item Number	Description
FS-RUBGLOVEBL-S	Small
FS-RUBGLOVEBL-M	Medium
FS-RUBGLOVEBL-L	Large
FS-RUBGLOVEBL-XL	X-Large

The perfect spray on lubricant for routing laminated plastics. Prevents burns and scratches by self-guiding cutter. Will hide and aid in preventing minor surface scratches on laminated plastics.

Excellent for lubricating table saw tops!

- Fast and Easy
- No Messy Cleanup
- No Oily Jellies
- No Sticky Paste Waxes
- No Brushes or Rags



ITEM	DESCRIPTION
LL-LAMI-LUBE-I	For Routing Hpl W/Silicone
LL-LAMI-LUBE-II	For Routing Hpl No Silicone
LL-LAMI-LUBE-III	For Machinery No Silicone

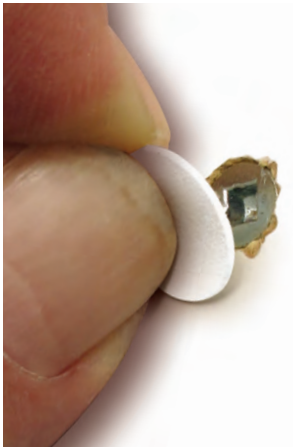
### Mixing Cups

- Graduated
- Made from heavy-gauge polypropylene
- Resistant to temperatures up to 250°F
- Resistant to most solvents, as well as acids, alkalines, salts, organics and biologicals

ITEM	DESCRIPTION
PL-SMALL-CUPS	6oz
PL-MIX-N-MEASURE	Quart
PL-EURO-CAT-CUP	2 1/2 Quart
PL-EURO-CAT-LID	Lid for 2 1/2 Quart
FS-MIX-&-MEASURE	5 Quart

FS-PAINTPADDLES Wood Stir Sticks





### Fastcaps 9/16" Cover Caps

The finishing touch to a professional job! They are self-adhesive screw cover caps, made with ultra-bond high performance PSA adhesive which increases in strength as it cures. Thousands of shapes, sizes and material types available.

#### Features...

- Fast and easy to install
- PVC, unfinished and pre-finished wood
- 100's of shapes and sizes

#### Great for...

- Covering screw holes
- Finishing RTA fittings
- Trimming out plumbing cutouts

#### PVC 9/16"

##### Item Number

FC-CAP-PVC-AL  
FC-CAP-PVC-AL-MB

##### Color/Description

Almond(1060ea Per Bx)  
Almond Mini Box(260 Per Bx)

FC-CAP-PVC-BKMB  
FC-CAP-PVC-BLACK

Black Mini Box(260 Per Bx)  
Black(1060 Per Box)

FC-CAP-PVC-HM  
FC-CAP-PVC-HM-MI

Hardrock Maple(1060 Per Box)  
Hardrock Maple Mini Box(260 Per Bx)

FC-CAP-PVC-WHBLK  
FC-CAP-PVC-WHITE  
FC-CAP-PVC-WHMB

White Bulk Box(26500 Per Box)  
White(1060 Per Box)  
White Mini Box(260 Per Bx)

#### Real Wood 9/16"

##### Item Number

FC-CAP-RWP-MA  
FC-CAP-RWP-MA-MB

##### Color/Description

Prefinished Maple(1060 Per Box)  
Prefinished Maple Mini Box(260 Per Bx)



### Fastedge 15/16" Edgebanding

A peel & stick edgebanding made with ultra-bond high performance PSA adhesive. It is fast, easy, super strong and increases in strength over time. Simply peel off the liner, stick, roll and trim and you are done!

#### Features...

- Fast and easy to install
- PVC, unfinished and pre-finished wood
- Increases in strength as it cures

#### Great for...

- Cabinetmakers
- Field repair
- Refacing

##### Item Number

FC-FE-PVC15/16B  
FC-FE-PVC15/16B2

##### Color/Description

Black 50' Roll  
Black 250' Roll

FC-FE-PVC15/16H  
FC-FE-PVC15/16HM

Hardrock Maple 50' Roll  
Hardrock Maple 250' Roll

FC-FE-PVC15/16W  
FC-FE-PVC15/16W2

White 50' Roll  
White 250' Roll



### SpeedTape Double Sided Transfer Tape

An ultra-bond high performance adhesive in a peel and stick roll! Apply SpeedTape to almost anything you want to stick in place. Peel off the liner and stick it! If you have a peel and stick application, SpeedTape is the answer!

#### Features...

- Available in 50' rolls
- Strengthens as it cures
- Double-sided PSA adhesive

#### Great for...

- Edgebanding/laminates
- Jigs and templates
- General adhesives

##### Item Number

FC-SPDTAPE-1-5  
FC-SPDTAPE-1-50  
FC-SPDTAPE-2-50  
FC-SPDTAPE-3/4

##### Description

1-1/2"x 50' Roll  
1"x 50' Roll  
2"x 50' Roll  
3/4"x 50' Roll

## 2P-10 two-part ten-second adhesive

If it's broken, FastCap 2P-10 can fix it. This revolutionary two-part, ten-second adhesive forms a fast, permanent bond on almost any surface from plastic to wood--without clamping. Simply apply adhesive to one surface, spray activator on the other, hold for ten seconds, and you'll have a joint that lasts forever.

### Features...

- Easy to sand within 60 sec.
- Dries crystal clear
- 4000 PSI tensile & sheer

### Available in 4 viscosities

#### 10oz. or 2.25oz. Bottles

- Jel
- Thick
- Medium
- Thin

### Item Number

FC-ADH-JEL-2-25  
FC-ADH-REF-MED  
FC-ADH-REF-THCK2  
FC-ADH-REF-THIN

### Discription

Jel 2.25oz  
Medium 2.25oz  
Thick 2.25oz  
Thin 2.25oz

FC-ADH-MED-100Z  
FC-ADH-THCK-100Z

Medium 10oz  
Thick 10oz



## 2P-10 Activator

The activator accelerates the adhesive process so bonding occurs in 10 seconds, while curing completes in 30.

### Item Number

FC-ACTIVATOR  
FC-ACTIVATOR-12

### Discription

2P10 Pump Spray 2oz  
Aersol 12oz



## 2P-10 Kit

This kit includes every type of 2P-10 in 2.25oz bottles, Activator and Debonder. Everything comes in a convenient case with application instructions.

- 2.25oz Thin, Med, Thick & Jël
- 2oz Activator and Debonder
- 5 Microtips
- 1 Pump Spray
- 2 Brushes

### Item Number

FC-ADHESIVE-KIT

### Discription

2P10 Kit



### TriBlade

The TriBlade Utility Knife allows for additional storage of 2 extra blades. The rubberized grip makes it comfortable to hold and the retractable self-locking blade makes it safe to use.

#### Item Number

FC-TRI-BLADE



### CatEyes Safety Glasses

Our 510 series safety glasses are both stylish and comfortable while protecting your eyes. Ultra comfort rubber nose piece, adjustable length bows, and shatter proof wrap-around lenses make these glasses easy to wear all day long. Meet ANSI rating Z87.1.

#### Features....

- ANSI / OSHA approved
- Shatterproof wrap-around lenses
- Anti-fog & anti-static coated lenses\*
- UV Protection - UVB 95% UVA 60%
- Scratch resistant lenses
- Comfortable rubber nose piece
- 35% lighter than standard glasses



ANSI Rated Z87.1



**Description** Clear Safety Glasses  
**Part Number** FC-SG-AF-P510



**Description** Amber Safety Glasses  
High contrast  
**Part Number** FC-SG-AF-A510



**Description** Tinted Safety Glasses  
**Part Number** FC-SG-AF-T510



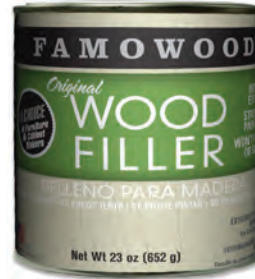
**Description** Mirrored Safety Glasses  
not coated  
**Part Number** FC-SG-M510



**Description** Clear Safety Goggles  
**Part Number** FC-SG-AF-GOGGLES

**WOOD FILLER 1 PINT CANS**

- Dries in 15 minutes
- Won't crack or shrink
- Stainable and paintable
- Interior/exterior use
- Saw, drill, sand, plane and nail, just like real wood
- Takes stains and paints evenly with minimal sanding Spreads evenly into cracks and holes without crumbling cracking or shrinking



<b>Item Number</b>	<b>Color</b>
FW-ALDER-PT	Alder
FW-ASH-PT	Ash
FW-BIRCH-PT	Birch
FW-CHERRY-PT	Cherry
FW-MAHOGANY-PT	Mahogany
FW-MAPLE-PT	Maple
FW-NAT/TUPELO-PT	Natural/Tupelo
FW-OAK/TEAK-PT	Oak/Teak
FW-PINE-PT	Pine
FW-REDOAK-PINT	Red Oak
FW-WALNUT-PINT	Walnut
FW-WHT-PINT	White

**WATER BASE**

<b>Item Number</b>	<b>Color</b>
FW-BIRCH-WB-PT	Birch
FW-CHERRY-WB-PT	Cherry
FW-MAPLE-WB-PT	Maple
FW-NAT-WB-PT	Natural
FW-OAK-WB-PT	Oak
FW-WHTPINE-WB-PT	White Pine
FW-REDOAK-WB-PT	Red Oak
FW-WALNUT-WB-PT	Walnut
FW-WHT-WB-PT	White



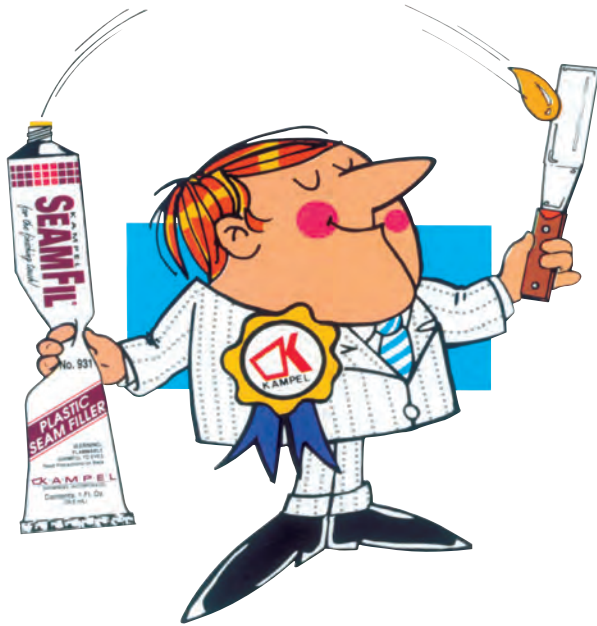
**WOOD FILLER SOLVENT**

- Dries in 15 minutes
- Stainable and paintable
- Indoor and Outdoor
- Flammable
- Water Cleanup

<b>Item Number</b>	<b>Size</b>
FW-SOLVENT-PT	PINT
FW-SOLVENT-QT	QUART



# THE ONLY NAME IN **COLOR** MATCHING THAT GIVES YOU THE FINISHING TOUCH.



## Kampel SEAMFIL®

FOR REPAIR OF ALL LAMINATED PLASTICS

Fill in seams, seal joints, repair defects, add the perfect finishing touch to laminated plastic surfaces with Kampel SeamFil. You'll be delighted with the results. Match any solid, pattern, or woodgrain laminate with SeamFil by easily mixing colors using our Colorguide or request a custom matched color. Kits, guides, and other SeamFil accessories are available from your distributor.

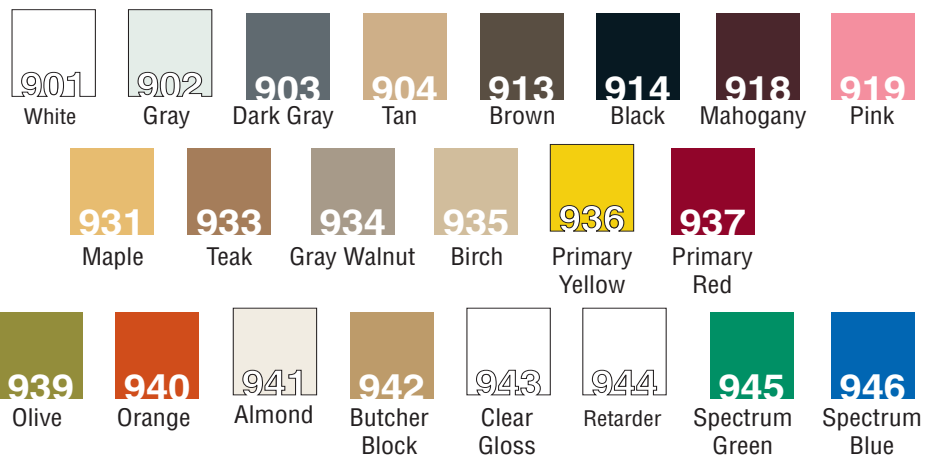
SeamFil is scientifically blended to resist moisture, detergent, and other household products as effectively as the original plastic laminate. Its resistance to fading is another one of the many qualities which has contributed to SeamFil's success.

Cover up unsightly seams and joints with ease and confidence. Use SeamFil for the finishing touch that enhances the beauty and durability of your craftsmanship.

Item Number	Description
SE-KIT-S	Standard Color Kit
SE-901	1oz White
SE-902	1oz Gray
SE-903	1oz Dark Gray
SE-904	1oz Tan
SE-913	1oz Brown
SE-914	1oz Black
SE-918	1oz Mahogany
SE-919	1oz Pink
SE-931	1oz Maple
SE-933	1oz Teak
SE-934	1oz Gray Walnut
SE-935	1oz Birch
SE-936	1oz Primary Yellow
SE-937	1oz Primary Red
SE-939	1oz Olive
SE-940	1oz Orange
SE-941	1oz Almond
SE-942	1oz Butcher Block
SE-943	1oz Clear Gloss
SE-944	1oz Retarder
SE-945	1oz Spectrum Green
SE-946	1oz Spectrum Blue

### Standard Colors Available

Colors Will Vary Slightly From Printed Colors Shown







# Exterior Acrylic Polyurethane



## POLARION® X Exterior Clear

M.L. Campbell POLARION X 2K Acrylic Exterior Polyurethane is the latest advancement in high-performance wood finishes for entrance doors, garage doors, trim, millwork or any exterior wood surface that needs to resist the toughest weather mother nature serves up. POLARION X is a durable, exterior, polyurethane system of sealers and clear topcoats with a full range of sheens. It's easy to use and manage utilizing just one catalyst and mix ratio. Let the rough weather come. A POLARION X finish is tough enough to take it.

### Performance

- Superior scratch/mar, chemical and moisture resistance
- Non-yellowing, acrylic polyurethane technology
- Excellent UV resistance
- 5:1 catalyst mix ratio with no solvent reduction required based on spray condition
- Extended pot life to aid in production

Product #	Size	Sheen
PL-C38572-1	1 Gallon	Dull
PL-C38572-5	5 Gallon	Dull
PL-C38574-1	1 Gallon	Satin
PL-C38574-5	5 Gallon	Satin
PL-C38578-1	1 Gallon	Gloss
PL-C38578-5	5 Gallon	Gloss



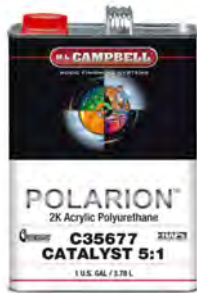
## POLARION® X Sealer

POLARION® X Exterior Clear Sealer is a two component acrylic polyurethane that is GREENGUARD Certified and offers exceptional adhesion and chemical resistance, true non-yellowing performance, quick dry time and excellent UV resistance.

### Performance

- Exceptional adhesion
- Non-yellowing, acrylic polyurethane technology
- Excellent UV resistance
- 5:1 catalyst mix ratio
- Quick dry time

Product #	Size	Sheen
PL-C38579-1	1 Gallon	Dull
PL-C38579-5	5 Gallon	Dull



## POLARION™ Catalyst 5:1

POLARION™ Catalyst was specially developed for use with POLARION™ Interior Polyurethane finishing systems. These systems offer excellent chemical and moisture resistance, true nonyellowing performance, and fast dry times.

Product #	Size
PL-C35677-QT	1 Quart
PL-C35677-1	1 Gallon

# Interior Acrylic Polyurethane

## POLARION™ Interior Clear



POLARION™ Interior Clear is an extremely durable, two component acrylic polyurethane that is GREENGUARD Certified and offers exceptional high build and clarity, excellent chemical and mar resistance, true non-yellowing performance and a full range of sheens. POLARION Interior clear high solids, water white formula was specifically designed for interior wood surfaces that are exposed to moisture, heat and household chemicals. It can be used for table tops, bar tops, cabinets, millwork, furniture, fixtures, and other interior wood surfaces that require a hard durable finish.

### Performance

- Superior scratch/mar, chemical and moisture resistance
- Non-yellowing, acrylic polyurethane technology
- High solids that aid in coating edge retention
- Extended pot life to aid in production
- 5:1 catalyst mix ratio with no solvent reduction required based on spray conditions
- Excellent sanding and polishing characteristics

Product #	Size	Sheen
PL-C35571-1	1 Gallon	Flat
PL-C35571-5	5 Gallon	Flat
PL-C35572-1	1 Gallon	Dull
PL-C35572-5	5 Gallon	Dull
PL-C35574-1	1 Gallon	Satin
PL-C35574-5	5 Gallon	Satin
PL-C35578-1	1 Gallon	Gloss
PL-C35578-5	5 Gallon	Gloss

## POLARION™ Clear Sealer



POLARION™ Interior Clear Sealer is two-component acrylic polyurethane that is GREENGUARD Certified and offers exceptional adhesion and chemical resistance, true non-yellowing performance, and a quick dry time.

### Performance

- Exceptional adhesion
- Chemical resistant
- True non-yellowing formulation

Product #	Size
PL-C35579-1	1 Gallon
PL-C35579-5	5 Gallon

## POLARION™ Interior Fast Dry Clear



POLARION™ Interior Fast Dry Clear is an extremely durable, two component acrylic polyurethane that is GREENGUARD Certified and offers exceptional dry, sand, and stack and pack times. The high build characteristics offer excellent chemical and mar resistance, clarity and true non-yellowing performance. It is available in a full range of sheens. The POLARION Interior Fast Dry clear high solids, water white formula was specifically designed for interior wood surfaces that are exposed to moisture, heat and household chemicals. It can be used for table tops, bar tops, cabinets, millwork, furniture, fixtures, and other interior wood surfaces that require a hard durable finish.

### Performance

- Superior scratch/mar, chemical and moisture resistance
- Non-yellowing, acrylic polyurethane technology
- High solids that aid in coating edge retention
- Extended pot life to aid in production
- 5:1 catalyst mix ratio with no solvent reduction required based on spray conditions
- Excellent sanding and polishing characteristics

Product #	Size	Sheen
PL-C36174-1	1 Gallon	Satin
PL-C36174-5	5 Gallon	Satin
PL-C36178-1	1 Gallon	Gloss
PL-C36178-5	5 Gallon	Gloss

## POLARION™ Fast Dry Clear Sealer



POLARION™ FD Interior Clear Sealer that is GREENGUARD Certified, is a two component acrylic polyurethane that offers exceptional dry, sand, stack and pack times, in addition to high build and clarity, excellent chemical and mar resistance and true non-yellowing performance.

### Performance

- Fast drying
- Exceptional adhesion
- Chemical resistant
- True non-yellowing formulation

Product #	Size
PL-C36179-1	1 Gallon
PL-C36179-5	5 Gallon

## POLARION™ Interior Pigmented



POLARION™ Interior White that is GREENGUARD Certified, is a two component acrylic polyurethane that offers exceptional high build, excellent chemical and mar resistance, true non-yellowing performance, and fast dry times.

**Performance**

- High build
- Excellent chemical and mar resistance
- Non-yellowing

Product #	Size	Sheen
PL-W35572-1	1 Gallon	Dull
PL-W35572-5	5 Gallon	Dull
PL-W35574-1	1 Gallon	Satin
PL-W35574-5	5 Gallon	Satin
PL-W35578-1	1 Gallon	Full Gloss
PL-W35578-5	5 Gallon	Full Gloss

## POLARION™ Interior Pigmented Primer



POLARION™ Interior White Primer that is GREENGUARD Certified, is two-component acrylic polyurethane that offers exceptional adhesion and chemical resistance, true non-yellowing performance, and a quick dry time.

**Performance**

- Exceptional adhesion
- Chemical resistant
- Non-yellowing

Product #	Size
PL-W35579-1	1 Gallon
PL-W35579-5	5 Gallon

## POLARION™ Interior Fast Dry Pigmented



POLARION™ FD Interior White that is GREENGUARD Certified, is a two component acrylic polyurethane that offers exceptional dry, sand, stack and pack times, in addition to high build and clarity, excellent chemical and mar resistance and true non-yellowing performance.

**Performance**

- High build
- Excellent chemical and mar resistance
- Fast drying
- Non-yellowing

Product #	Size	Sheen
PL-W36174-1	1 Gallon	Satin
PL-W36174-5	5 Gallon	Satin

## POLARION™ Fast Drying Interior Pigmented Primer



POLARION™ FD Interior White Primer that is GREENGUARD Certified, is a two component acrylic polyurethane that offers exceptional dry, sand, stack and pack times, in addition to high build and clarity, excellent chemical and mar resistance and true non-yellowing performance.

**Performance**

- Exceptional adhesion
- Chemical resistant
- Fast drying
- Non-yellowing

Product #	Size
PL-W36179-1	1 Gallon
PL-W36179-5	5 Gallon

# Interior Hybrid Polyurethane



## CODA™ Interior Clear Hybrid Polyurethane



CODA Interior Clear Hybrid Polyurethane is a two-component acrylic/alkyd blend that is GREENGUARD certified and offers excellent chemical and mar resistance.

This unique hybrid technology provides remarkable clarity and build as well as accelerated dry times.

### Performance

- Superior Scratch/Mar Resistant
- Chemical & Moisture Resistant
- Resists Yellowing

Product #	Size	Sheen
PL-C37570-1	1 Gallon	Sheen
PL-C37570-5	5 Gallon	Sheen
PL-C37572-1	1 Gallon	Dull
PL-C37572-5	5 Gallon	Dull
PL-C37574-1	1 Gallon	Satin
PL-C37574-5	5 Gallon	Satin
PL-C37578-1	1 Gallon	Gloss
PL-C37578-5	5 Gallon	Gloss

## CODA™ Interior Hybrid Polyurethane Clear Sealer



CODA Interior Hybrid Polyurethane Clear Sealer is two-component acrylic/alkyd blend that is GREENGUARD certified and offers exceptional adhesion and quick dry times.

### Performance

- Exceptional adhesion
- Chemical resistant

Product #	Size
PL-C37579-1	1 Gallon
PL-C37579-5	5 Gallon

## CODA™ Interior White Hybrid Polyurethane



CODA Interior White Hybrid Polyurethane is a two-component acrylic/alkyd blend that is GREENGUARD certified and offers excellent chemical and mar resistance. This unique hybrid technology provides remarkable coverage and build as well as accelerated dry times.

### Performance

- Superior Scratch/Mar Resistant
- Chemical & Moisture Resistant
- Resists Yellowing

Product #	Size	Sheen
PL-W37572-1	1 Gallon	Dull
PL-W37572-5	5 Gallon	Dull
PL-W37574-1	1 Gallon	Satin
PL-W37574-5	5 Gallon	Satin
PL-W37578-1	1 Gallon	Gloss
PL-W37578-5	5 Gallon	Gloss

## CODA™ Interior Hybrid Polyurethane White Primer



CODA Interior Hybrid Polyurethane White Primer is two-component acrylic/alkyd blend that is GREENGUARD certified and offers exceptional adhesion, coverage and quick dry times.

### Performance

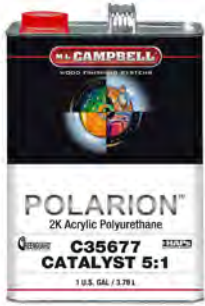
- Exceptional Adhesion
- Chemical Resistant

Product #	Size
PL-W37579-1	1 Gallon
PL-W37579-5	5 Gallon

## CODA™ Interior Hybrid Polyurethane Catalyst



Product #	Size
PL-C41077-QT	1 Quart
PL-C41077-1	1 Gallon



## POLARION™ Catalyst 5:1

POLARION™ Catalyst was specially developed for use with POLARION™ Interior Polyurethane finishing systems. These systems offer excellent chemical and moisture resistance, true nonyellowing performance, and fast dry times.

Product #	Size
PL-C35677-QT	1 Quart
PL-C35677-1	1 Gallon



## POLARION™ PS1 Fast Reducer

POLARION™ Fast Reducer is a blend of special evaporating solvents which are intended to correct most leveling and flow problems.

Performance

- Aids in flow and leveling

Product #	Size
PL-MLCPS1-1	1 Gallon



## POLARION™ PS3 Medium Reducer

POLARION™ Medium Reducer is a blend of special evaporating solvents which are intended to correct most leveling and flow problems.

Performance

- Aids in flow and leveling

Product #	Size
PL-MLCPS3-1	1 Gallon
PL-MLCPS3-5	5 Gallon



## POLARION™ PS5 Retarder

POLARION™ Slow Retarder is a solvent blend designed to lengthen dry times to help correct any leveling, bubbling and flow issues in extreme tropical and desert conditions. Polarion Slow Retarder is the slowest urethane-grade solvent blend M.L. Campbell® offers.

Performance

- Enhances product flow
- Reduces bubbling and blushing due to high heat desert and humid conditions

Product #	Size
PL-MLCPS5-1	1 Gallon

# Conversion Varnish



## Krystal®

Krystal® is a post-catalyzed conversion varnish finishing system that offers the ultimate in durability. It is a high solids, water white, non-yellowing formula was specifically designed for interior wood surfaces that are exposed to extreme moisture, heat or household chemicals. This self-sealing system has outstanding application and sanding properties. Easy to apply with any equipment. Available in 275 and 550 VOC compliant formulas.

### Performance

- Water white and non-yellowing
- Ultra low in formaldehyde
- Excellent adhesion on both closed and open grain substrates
- Excellent mar and scratch resistance
- Fast dry – dries faster than most conversion varnishes for fast “stack and pack”

Product #	Size	Sheen
PL-C145-12-1	1 Gallon	Dull
PL-C145-12-5	5 Gallon	Dull
PL-C145-14-1	1 Gallon	Satin
PL-C145-14-5	5 Gallon	Satin
PL-C145-14-55	53 Gallon	Satin
PL-C145-16-1	1 Gallon	Semi Gloss
PL-C145-16-5	5 Gallon	Semi Gloss
PL-C145-18-1	1 Gallon	Gloss
PL-C145-18-5	5 Gallon	Gloss



## Krystal® Sealer

Krystal® Sealer is a non-yellowing, water white, HAP's compliant, non photo chemically reactive, high solids acid catalyzed sealer. C15611 will produce an easy sanding finish with very good durability and high resistance to water, solvents and chemicals. Fre-cut (no-fill) sandpaper must be used for sanding, 220 grit is recommended. C15611 must be catalyzed 10% with C1491 M.L. Campbell Care Catalyst added to unreduced product prior to use.

### Performance

- High solids and build
- Fast drying

Product #	Size
PL-C156-11-1	1 Gallon
PL-C156-11-5	5 Gallon



## KlearVar®

KlearVar® Post-Cat Clear Conversion Varnish represents the latest in durable, long-lasting wood finishing technology. KlearVar® is a high solids, water white, non-yellowing, post-catalyzed amino alkyd finishing system that leaves a unique, smooth-to-the-touch finish. It is a low odor, self-sealing, easy-to-apply formulation that has exceptional resistance to water, solvents and household chemicals.

### Performance

- Water white and non-yellowing
- Unique, smooth-to-the-touch rich finish
- Ultra low formaldehyde
- Quick drying cycle – faster cross-linking eliminates
- lifting problems on recoat and touch-up
- Excellent mar and scratch resistance
- Non-photochemically reactive

Product #	Size	Sheen
PL-C116622-1	1 Gallon	Dull
PL-C116622-5	5 Gallon	Dull
PL-C116624-1	1 Gallon	Satin
PL-C116624-5	5 Gallon	Satin
PL-C116626-5	5 Gallon	Semi Gloss
PL-C116628-5	5 Gallon	Gloss



## Krystal® High Build Sealer

KRYSTAL HIGH BUILD SEALER is a non-yellowing, HAP's compliant, high solids acid catalyzed sealer with exceptional sag resistance. KRYSTAL HIGH BUILD SEALER will produce an easy sanding finish with very good durability and high resistance to water, solvents and chemicals. Fre-cut (no-fill) sandpaper must be used for sanding, 220 grit is recommended. KRYSTAL HIGH BUILD SEALER must be catalyzed 10% with C1491 M.L. Campbell Care Catalyst or 5% with C1431 Care Catalyst Low VOC added to unreduced product prior to use.

Product #	Size
PL-C140729-1	1 Gallon
PL-C140729-5	5 Gallon

## HP WW Conversion Varnish Clear



High Performance Water White Conversion Varnish Clear is a new generation of water white, non-yellowing, self-sealing post-catalyzed amino alkyd conversion varnish that offers fast dry, excellent durability and unique close to the wood furniture appearance with a smooth touch feel. HP WW CV has excellent application and sanding properties and includes UV absorbers for enhanced UV resistance and color stability. HP WW CV is completely HAPS free and provides an ultra low formaldehyde formula that passes the European Standard E-1 for formaldehyde emissions.

### Performance

- Non-yellowing
- Self-sealing
- Excellent sanding properties
- UV resistant

Product #	Size	Sheen
PL-MC127021-5	1 Gallon	Flat
PL-C127022-5	5 Gallon	Dull
PL-C127024-5	5 Gallon	Satin
PL-C127024-55	5 Gallon	Satin



## Level™ Sealer

Level Sealer™ is a HAPS Free high solids, water white formula specifically designed for interior wood surfaces that are exposed to moisture, heat and household chemicals. It was also designed so that you can build the dry mils past the normal 5 mils maximum recommendation. So, if you want to have a full fill or thick build look and you do not want to go to polyurethane, Level Sealer™ is for you. It gives good sag resistance and can be sprayed from 4-10 wet mils on a vertical surface. It can also be built with multiple thin coats to get 10-12 dry mils by allowing each coat to dry thoroughly.

### Performance

- High solids and build
- Excellent moisture and heat resistance

Product #	Size
PL-C117029-1	1 Gallon
PL-C117029-5	5 Gallon



## Turino™ Pigmented Conversion Varnish

Turino Pigmented Conversion Varnish is a unique, high solids, post-catalyzed, HAPS compliant, two component amino alkyd formulation that provides an excellent soft-feel coating on wood surfaces. Turino Pigmented Conversion Varnish represents the latest in durable, long-lasting wood finishing technology.

### Performance

- Excellent scratch/mar resistance
- Exceptional resistance to common household chemicals
- Fast drying to help increase production times
- Yellow resistant finish

Product #	Size	Sheen
PL-W40811-1	1 Gallon	10 Sheen
PL-W40811-5	5 Gallon	10 Sheen
PL-W40812-1	1 Gallon	Dull
PL-W40812-5	5 Gallon	Dull
PL-W40814-1	1 Gallon	Satin
PL-W40814-5	5 Gallon	Satin
PL-W40816-1	1 Gallon	Semi-Gloss
PL-W40816-5	5 Gallon	Semi-Gloss
PL-W40818-1	1 Gallon	Gloss
PL-W40818-5	5 Gallon	Gloss



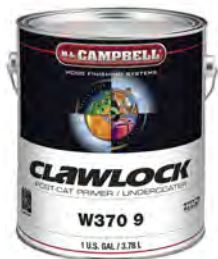
## Stealth® Pigmented

Stealth® White/Opaque is a unique non-yellowing, high solids, post-catalyzed, HAPS compliant, two component amino alkyd formulation that provides an excellent soft feel coating on wood surfaces. Stealth® White/Opaque represents the latest in durable, long-lasting wood finishing technology.

### Performance

- Non-yellowing
- High solids
- Soft-feel coating
- Low odor

Product #	Size	Sheen
PL-W387-12-1	1 Gallon	Dull
PL-W387-12-5	5 Gallon	Dull
PL-W387-14-1	1 Gallon	Satin
PL-W387-14-5	5 Gallon	Satin
PL-W387-16-1	1 Gallon	Semi Gloss
PL-W387-16-5	5 Gallon	Semi Gloss
PL-W387-18-1	1 Gallon	Gloss



## Clawlock® White Primer

Clawlock® White Primer/Undercoater is a high performance, high solids, two-component postcatalyzed (amino-alkyd) primer/undercoater for furniture, store fixtures and cabinets.

Clawlock® provides an excellent base coat for the start of a high performance pigmented finishing system. Based on European technology it is formulated with ultra low formaldehyde release. Its high solids, fast dry characteristics lend itself to good production properties and excellent sanding characteristics. Especially developed for filling the open pores of MDF board. It is also suitable for use as a high performance primer/undercoater on wood.

### Performance

- Excellent sanding characteristics
- High solids
- Fast drying

Product #	Size
PL-W370-9-1	1 Gallon
PL-W370-9-5	5 Gallon



## Stealth® Pigmented Clear Base

Stealth® Clear Base is a high solids tint base designed for producing darker pigmented colors when tinted using M.L. Campbell IC800 Industrial Colorants. Stealth® Clear Base is a non-yellowing, post-catalyzed amino alkyd finishing system that leaves a unique smooth to the touch finish. It is a low odor, easy to apply formulation that has exceptional resistance to water, solvents, and household chemicals. Stealth® Clear Base represents the latest in durable, long-lasting wood finishing technology.

### Performance

- Non-yellowing
- Soft-feel coating
- Low odor

Product #	Size	Sheen
PL-W3872-12-1	1 Gallon	Dull
PL-W3872-14-1	1 Gallon	Satin
PL-W3872-14-5	5 Gallon	Satin
PL-W3872-16-1	1 Gallon	Semi-Gloss
PL-W3872-18-1	1 Gallon	Gloss





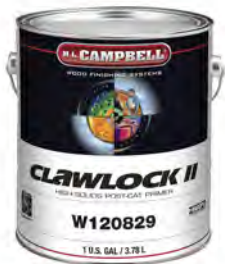
## Clawlock® Black Primer

Clawlock® Black Primer/Undercoater is a high performance, high solids, two-component postcatalyzed (amino-alkyd) primer/undercoater for furniture, store fixtures and cabinets. Clawlock® provides an excellent base coat for the start of a high performance pigmented finishing system. Based on European technology it is formulated with ultra low formaldehyde release. Its high solids, fast dry characteristics lend itself to good production properties and excellent sanding characteristics. Especially developed for filling the open pores of MDF board. It is also suitable for use as a high performance primer/undercoater on wood.

### Performance

- Excellent sanding characteristics
- High solids
- Fast drying

Product #	Size
PL-W370-11-1	1 Gallon
PL-W370-11-5	5 Gallon



## Clawlock® II High Solids Catalyzed Primer

Clawlock® II is a High Solid Catalyzed Primer White HAP's compliant finish is a fast drying, high solid, two component (alkyd-amino) formulation. Clawlock® II High Solids Catalyzed Primer White is a higher solids product developed to give a higher film thickness per coat for better build – one coat is all that is needed for most pre-catalyzed and post-catalyzed topcoats.

### Performance

- Fast drying
- High solids for build and film thickness

Product #	Size
PL-W120829-1	1 Gallon
PL-W120829-5	5 Gallon



## Level™ Primer

Level™ Primer post-catalyzed amino alkyd primer that offers the ultimate in durability in a high build formula that requires fewer coats. Specifically designed for interior MDF and wood surfaces that are exposed to moisture, heat and household chemicals.

Product #	Size
PL-W122529-1	1 Gallon
PL-W122529-5	5 Gallon

# Formaldehyde Free Conversion Varnish



## EnviroVar™ Formaldehyde Free Conversion Varnish

EnviroVar™ Formaldehyde Free Conversion Varnish Clear was developed using M.L. Campbell® breakthrough solvent borne Clean Cure™ Technology. This exceptional technology platform provides an acid cure formaldehyde free amino-alkyd post-catalyzed conversion varnish that is both low odor and HAPs free creating a safer work environment. This self-sealing system applies and sands easily, curing quickly to produce outstanding durability, depth, clarity, aesthetics and has a smooth touch feel. EnviroVar was specifically formulated to eliminate formaldehyde off gassing concerns from acid cure coatings on commercial and residential projects improving indoor air quality. EnviroVar is ideal for wood kitchen cabinets, commercial millwork, furniture and commercial displays.

### Performance

- Formaldehyde free solvent borne
- Durable conversion varnish
- GREENGUARD Certified
- Excellent film build
- Increased production form fast pack and stack times

Product #	Size	Sheen
PL-C135422-1	1 Gallon	Dull
PL-C135422-5	5 Gallon	Dull
PL-C135424-1	1 Gallon	Satin
PL-C135424-5	5 Gallon	Satin
PL-C135426-1	1 Gallon	Semi Gloss
PL-C135426-5	5 Gallon	Semi Gloss
PL-C135428-1	1 Gallon	Gloss
PL-C135428-5	5 Gallon	Gloss



## EnviroVar™ FF Post-Cat Sealer

EnviroVar Formaldehyde Free Post-Cat Sealer was developed using M.L. Campbell's solvent borne breakthrough Clean Cure™ Technology. This exceptional technology platform provides an acid cure formaldehyde free amino-alkyd post-catalyzed conversion varnish that is both low odor and HAPs free helping to create a safer work environment. This sealer applies and sands easily and cures at normal ambient temperature. EnviroVar Formaldehyde Free Post -Cat Sealer was specifically formulated to eliminate formaldehyde off gassing concerns from acid cure coatings on commercial and residential projects and is GREENGUARD Indoor Air Quality Certified.

Product #	Size
PL-C135429-1	1 Gallon
PL-C135429-5	5 Gallon



## EnviroVar™ Pigmented White/Opaque

EnviroVar™ Formaldehyde Free Conversion Varnish White/Opaque was developed using our breakthrough solvent borne Clean Cure™ Technology. This exceptional technology platform provides an acid cure formaldehyde free amino alkyd postcatalyzed varnish that is both low odor and HAPs free; creating a safer work environment and improving indoor air quality once a project is installed. EnviroVar™ Formaldehyde Free Conversion Varnish White/Opaque is GREENGUARD certified and was specifically formulated to eliminate formaldehyde off gassing concerns from acid cure coatings on commercial and residential projects. EnviroVar Formaldehyde Free Conversion Varnish White/Opaque an extremely durable product with excellent resistance to yellowing, making it ideal for wood kitchen cabinets, commercial millwork, furniture and commercial displays.

Product #	Size	Sheen
PL-W133324-1	1 Gallon	Satin
PL-W133324-5	5 Gallon	Satin

- Performance
- Low odor
- Formaldehyde free
- Aids in creating a safer work environment



## Envirolock™ Primer

Envirolock™ Formaldehyde Free White Primer was developed using our breakthrough solvent borne Clear Cure Technology. This exceptional technology platform provides an acid cure formaldehyde free amino alkyd post cat primer that is both low odor and HAPs free; creating a safer work environment and improving indoor air quality once a project is installed. Envirolock™ Formaldehyde Free White Primer is a GREENGUARD certified, fast dry, easy sanding post-catalyzed primer specially formulated for use as the first coat under EnviroVar Formaldehyde Free Post Catalyzed White/Opaque. Envirolock™ Formaldehyde Free White Primer exhibits very good adhesion on wood, particleboard and hard boards and has good holdout over porous surfaces such as soft wood and untempered hard board. Envirolock™ Formaldehyde Free White Primer sands very well to produce an excellent base coat with outstanding holdout of topcoats making it ideal for filling the open pores on MDF board.

### Performance

- Fast drying
- Easy sanding
- Excellent adhesion
- Outstanding holdout over porous wood surfaces

Product #	Size
PL-W133329-1	1 Gallon
PL-W133329-5	5 Gallon

# Pre-Cat Lacquer



## MagnaMax®

MagnaMax® High Performance Pre-Catalyzed Lacquer is the latest breakthrough from M.L. Campbell® that closes the gap between pre-cat and post-cat lacquers. This high solids, water white formula offers the convenience and user-friendly features of pre-catalyzed lacquer, while providing the high durability and performance of a post-cat. Easy to apply with any equipment. Available in 275 and 550 VOC compliant formulas.

### Performance

- Ultra-low formaldehyde – meets European E-1 standard
- True 1-gun finish – no sealer necessary
- Exceptional film build
- Excellent adhesion on both closed and open grain substrates
- Mar and scratch resistant
- Quick dry to sand and recoat times

Product #	Size	Sheen
PL-C148-12-1	1 Gallon	Dull
PL-C148-12-5	5 Gallon	Dull
PL-C148-14-1	1 Gallon	Satin
PL-C148-14-5	5 Gallon	Satin
PL-C148-14-55	53 Gallon	Satin
PL-C148-16-1	1 Gallon	Semi Gloss
PL-C148-16-5	5 Gallon	Semi Gloss
PL-C148-18-1	1 Gallon	Gloss
PL-C148-18-5	5 Gallon	Gloss



## HP WW Pre-Cat Clear

High Performance Water White Pre-Cat Clear lacquer is a high quality, self-sealing, fast dry formulation that has exceptional resistance to water, solvents, and household chemicals. This product represents the latest in durable, long lasting wood finishing technology and features a HAPS-free formulation with ultra low formaldehyde.

### Performance

- Self-sealing fast dry formula
- Water and chemical resistant
- Low formaldehyde

Product #	Size	Sheen
PL-MC122240-5	5 Gallon	Flat
PL-MC122242-5	5 Gallon	Dull
PL-MC122242-55	53 Gallon	Dull
PL-MC122244-5	5 Gallon	Satin
PL-MC122244-55	53 Gallon	Satin
PL-MC122246-5	5 Gallon	Semi Gloss
PL-MC122246-55	53 Gallon	Semi Gloss
PL-MC122248-5	5 Gallon	Gloss
PL-MC122248-55	53 Gallon	Gloss



## MagnaKlear®

MagnaKlear® is a very unique patent pending non-yellowing, HAPs free, water white pre-catalyzed amino alkyl conversion coating. MagnaKlear® offers outstanding UV resistance and does not yellow under ultraviolet exposure. Special UV additive protects both stains and pigmented coatings underneath. Ideal for use over pigmented colors and glazes. MagnaKlear® provides a very durable, hand rub, smooth finish and is specifically designed for interior wood surfaces exposed to moisture, heat and household chemicals. Easy to apply with any equipment.

### Performance

- Water white and non-yellowing
- Outstanding UV resistance
- Ultra low formaldehyde
- One gun Topcoats
- Exceptional film build
- Quick dry to sand and recoat times

Product #	Size	Sheen
PL-C158-12-1	1 Gallon	Dull
PL-C158-12-5	5 Gallon	Dull
PL-C158-12-55	53 Gallon	Dull
PL-C158-14-1	1 Gallon	Satin
PL-C158-14-5	5 Gallon	Satin
PL-C158-16-1	1 Gallon	Semi Gloss
PL-C158-16-5	5 Gallon	Semi Gloss
PL-C158-18-1	1 Gallon	Gloss
PL-C158-18-5	5 Gallon	Gloss



## DesignRselect® Furniture Pre-Catalyzed

DesignRselect® Furniture Pre-Cat Clear is a superior fine furniture quality, pre-catalyzed lacquer that has excellent build, is fast drying and HAPs Free. DesignRselect® Furniture Pre-Cat Clear is a self-sealing, easy to spray formulation with superior moisture resistance when compared to nitrocellulose lacquer. DesignRselect® Furniture Pre-Cat Clear represents the latest in durable, long lasting wood finishing technology and is specifically developed for the furniture industry. DesignRselect® Furniture Pre-Cat Clear has a nice smooth-touch feel, optimal flow, clarity and outstanding depth of color and provides more moisture, scratch and mar resistance than nitrocellulose lacquer.

### Performance

- Self-sealing
- Easy to spray and use
- Superior moisture resistance
- Scratch and mar resistant

Product #	Size	Sheen
PL-C131741-5	5 Gallon	Flat
PL-C131741-55	53 Gallon	Flat
PL-C131742-1	1 Gallon	Dull
PL-C131742-5	5 Gallon	Dull
PL-C131742-55	53 Gallon	Dull
PL-C131744-1	1 Gallon	Satin
PL-C131744-5	5 Gallon	Satin
PL-C131744-55	53 Gallon	Satin
PL-C131745-55	53 Gallon	Mid
PL-C131746-5	5 Gallon	Soft
PL-C131746-55	53 Gallon	Soft
PL-C131748-1	1 Gallon	Gloss
PL-C131748-5	5 Gallon	Gloss
PL-C131748-55	53 Gallon	Gloss

## Magnalac®

Magnalac® is HAPs solvent free, ultra low formaldehyde, pre-catalyzed nitrocellulose lacquer formulation (Amino Alkyd). Supplied in a high build, fast drying, self sealing formulation that has exceptional resistance to water, solvents and household chemicals. A user friendly, furniture quality lacquer designed for use on kitchen and bathroom cabinets, household or office furniture, and the wood parts of upholstered furniture.

### Performance

- Ultra low formaldehyde which meets world E-1 standards
- Quick drying cycle
- User friendly - no mixing or pot life problems
- Easily applied with conventional spray, airless spray, air assisted airless spray or HVLP equipment
- 28% solids - just 2-3 coats will build an excellent finish
- Can be applied over M.L. Campbell WoodSong stains in one hour



## Pre-Cat 200

Pre-Cat 200 is a conventional pre-catalyzed lacquer formulation, supplied in a fast drying, self sealing, HAPs compliant, water white formulation that has good resistance to water, solvents and household chemicals. Pre-Cat 200 lacquer is designed for use on kitchen and bathroom cabinets, household or office furniture, and the wood parts of upholstered furniture.

### Performance

- HAPS compliant
- Moisture resistant
- Solvent and chemical resistant



## MagnaSand® Sealer

MagnaSand® Sealer is a water white HAPS free pre-catalyzed 24% non-volatile (by weight) lacquer sealer with thermo set properties and used as a sealer for pre-catalyzed lacquers.

### Performance

- Sands easily
- Fast drying



## Klearplast®

Klearplast® is a single component water white CAB acrylic clear finish specially designed for light colored interior wood surfaces where a non-yellowing, fast dry, durable finish is required. This high solids, fast dry lacquer exceeds conventional nitrocellulose clear lacquers in durability, hardness, flexibility and chemical resistance, with no need for a catalyst. Exceeds conventional lacquers in durability, hardness, abrasion resistance, chemical and moisture resistance.

### Performance

- Unique formulation of CAB and acrylic resins
- Easy to apply - applies like conventional nitrocellulose
- Fast dry
- No recoat window
- No pot life problems
- No mixing or reduction required

Product #	Size	Sheen
PL-C144-12-1	1 Gallon	Dull
PL-C144-12-5	5 Gallon	Dull
PL-C144-14-1	1 Gallon	Satin
PL-C144-14-5	5 Gallon	Satin
PL-C144-16-1	1 Gallon	Semi Gloss
PL-C144-16-5	5 Gallon	Semi Gloss
PL-C144-19-1	1 Gallon	Gloss
PL-C144-19-5	5 Gallon	Gloss

Product #	Size	Sheen
PL-C241-14-5	5 Gallon	Satin

Product #	Size
PL-C115049-1	1 Gallon
PL-C115049-5	5 Gallon
PL-C115049-55	53 Gallon

Product #	Size	Sheen
PL-C20012-1	1 Gallon	Dull
PL-C20012-5	5 Gallon	Dull
PL-C20014-1	1 Gallon	Satin
PL-C20014-5	5 Gallon	Satin
PL-C20016-1	1 Gallon	Semi Gloss
PL-C20016-5	5 Gallon	Semi Gloss
PL-C20018-1	1 Gallon	Gloss
PL-C20018-5	5 Gallon	Gloss



## MagnaMax® White/Opaque Base



MagnaMax® Pre-Cat Pigmented lacquer is a premium quality, yellowing resistant, HAPs free, ultra low formaldehyde, nitrocellulose amino alkyd formulation that meets AWI OP-4 rating for chemical and moisture resistance. Supplied in a high solids, high build, thermoset, fast drying formulation, MagnaMax® has exceptional resistance to water, solvents and household chemicals. MagnaMax® is a World Class coating that features latest in high performance, long lasting wood finish technology.

### Performance

- Meets AWI
- OP-4 rating for chemical and moisture resistance
- High solids
- Fast drying



## MagnaMax® Clear Tint Base

MagnaMax® Clear Tint Base is a premium quality, water white, pre-catalyzed lacquer. MagnaMax® is a hi-solids, self-sealing, fast dry formulation that has exceptional resistance to water, solvents, and household chemicals. MagnaMax® Clear Tint Base represents the latest in durable, long lasting wood finishing technology that meets AWI System 2 chemical and moisture resistance standards. MagnaMax® Clear Tint Base features a HAPS-free formulation and ultra low formaldehyde, meeting world E-1 standards for a better work environment.

### Performance

- High solids
- Self sealing
- Excellent moisture and chemical resistance
- Extremely durable



## HP Pre-Cat White Opaque Base

High Performance Pre-Cat White/Opaque is a high quality, non-yellowing, HAPSfree pre-catalyzed lacquer with ultra low formaldehyde. High Performance Pre-Cat White/Opaque is a medium solids, fast drying formulation, and has exceptional resistance to water, solvents and household chemicals.

High Performance Pre-Cat White/Opaque is a world class pigmented coating that makes available to you, the latest in high performance, long lasting wood finish technology.

### Performance

- Ultra low formaldehyde
- Medium solids
- Self sealing
- Excellent moisture and chemical resistance
- Extremely durable



## MagnaClaw™ Pre-Cat Black Primer

MagnaClaw™ Black Pre-Cat Primer/Undercoater is a HAPs free, 550 VOC compliant, fast dry, easy sanding pre-catalyzed primer/undercoater. It is specially formulated for use as the first coat under black or dark colored M.L. Campbell® Pre-catalyzed Pigmented Lacquers. It exhibits very good adhesion on wood, particleboard and hard boards and also provides excellent holdout over porous surfaces such as MDF, soft wood and untempered hard board. MagnaClaw Black Primer sands very well to produce an excellent base coat with outstanding holdout of topcoats.

### Performance

- Excellent for porous surfaces
- Frast drying
- Sands easily



## MagnaClaw™ Pre-Cat Primer

MagnaClaw™ White Primer/Undercoater is a HAPs free, 550 VOC compliant, fast dry, easy sanding pre-catalyzed primer/undercoater. It is specially formulated for use as the first coat under M.L. Campbell® Pre-catalyzed Pigmented Lacquers. It exhibits very good adhesion on wood, particleboard and hard boards. Also, has good holdout over porous surfaces such as soft wood and untempered hard board. Sands very well to produce an excellent base coat with outstanding holdout of topcoats. Especially developed for filling the open pores on MDF board.

### Performance

- Excellent for porous surfaces
- Frast drying
- Sands easily

Product #	Size	Sheen
PL-W297-12-1	1 Gallon	Dull
PL-W297-12-5	5 Gallon	Dull
PL-W297-14-1	1 Gallon	Satin
PL-W297-14-5	5 Gallon	Satin
PL-W297-16-1	1 Gallon	Semi-Gloss
PL-W297-16-5	5 Gallon	Semi-Gloss
PL-W297-18-1	1 Gallon	Gloss
PL-W297-18-5	5 Gallon	Gloss

Product #	Size
PL-MC14812SF-1	1 Gallon
PL-MC14814SF-5	5 Gallon

Product #	Size	Sheen
PL-MW122642-1	1 Gallon	Dull
PL-MW122642-5	5 Gallon	Dull
PL-MW122644-1	1 Gallon	Satin
PL-MW122644-5	5 Gallon	Satin
PL-MW122646-1	1 Gallon	Semi Gloss
PL-MW122646-5	5 Gallon	Semi Gloss

Product #	Size
PL-B115749-1	1 Gallon
PL-B115749-5	5 Gallon

Product #	Size
PL-W115-749-1	1 Gallon
PL-W115-749-5	5 Gallon

# Pre-Cat Formaldehyde Free Lacquer EnviroMax™



EnviroMax™ was developed using M.L. Campbell® solvent borne breakthrough Clean Cure™ Technology. This exceptional technology platform provides an acid cure formaldehyde free amino-alkyd pre-catalyzed lacquer that is both low odor and HAPs free helping to create a safer work environment. This self-sealing system applies and sands easily, provides UV protection, cures at normal ambient temperature and dries to a smooth touch finish. EnviroMax offers the convenience and user-friendly features of pre-catalyzed lacquer while providing the high durability and performance of a post-cat. EnviroMax was specifically formulated to eliminate formaldehyde off gassing concerns from acid cure coatings on commercial and residential projects.

#### Performance

- Formaldehyde free solvent borne
- Meets AWI chemical and moisture resistance standards for conversion varnish
- GREENGUARD Certified
- Exceptional film build and depth of image
- Low odor

## EnviroSand™ FF Pre-Cat Sealer

EnviroSand™ was developed using M.L. Campbell® solvent borne breakthrough Clean Cure™ Technology. This exceptional technology platform provides an acid cure formaldehyde free amino-alkyd pre-catalyzed sealer that is both low odor and HAPs free helping to create a safer work environment. This sealer applies and sands easily and provides a smooth surface for EnviroMax™ Formaldehyde Free Pre-Cat topcoats. EnviroSand™ Sealer and EnviroMax™ Pre-Cat topcoats were specifically formulated to eliminate formaldehyde off gassing concerns from acid cure coatings on commercial and residential projects and is GREENGUARD Indoor Air Quality Certified.

#### Performance

- Low odor
- Formaldehyde Free
- Sands easily

## EnviroMax™ White/Opaque Base

EnviroMax™ Formaldehyde Free Pre-Cat White/Opaque was developed using our breakthrough solvent borne Clean Cure™ Technology. This exceptional technology platform provides an acid cure formaldehyde free amino alkyd pre-catalyzed lacquer with the high durability and performance of a post-cat, it is both low odor and HAPs free; creating a safer work environment and improving indoor air quality once a project is installed. EnviroMax™ Formaldehyde Free Pre-Cat White/Opaque is GREENGUARD certified and was specifically formulated to eliminate formaldehyde off gassing concerns from acid cure coatings on commercial and residential projects. EnviroMax™ Formaldehyde Free Pre-Cat White/Opaque is ideal for wood kitchen cabinets, commercial millwork, furniture and commercial displays.

#### Performance

- Formaldehyde free
- Improves indoor air quality
- Acid cure

## EnviroClaw™ Primer

EnviroClaw™ Formaldehyde Free Pre-Cat White Primer was developed using our breakthrough solvent borne Clean Cure™ Technology. This exceptional technology platform provides a HAPs free, Formaldehyde Free, 550 VOC compliant, fast dry, easy sanding pre-catalyzed primer and helps create a safer work environment and improving indoor air quality once a project is installed. EnviroClaw™ Formaldehyde Free Pre-Cat White Primer is GREENGUARD certified and was specially formulated for use as the first coat under EnviroMax™ Formaldehyde Free Pre-catalyzed White/Opaque Lacquer. It exhibits very good adhesion on wood, particleboard and hard boards. EnviroClaw™ Formaldehyde Free Pre-Cat White Primer, has outstanding holdout over porous surfaces such as soft wood and untempered hard board, it sands very well to produce an excellent base coat, and was specially developed for filling the open pores on MDF board.

#### Performance

- 550 VOC Compliant
- Fast drying
- Easy sanding
- Excellent adhesion
- Outstanding holdout over porous wood surfaces

Product #	Size	Sheen
PL-C130642-1	1 Gallon	Dull
PL-C130642-5	5 Gallon	Dull
PL-C130644-1	1 Gallon	Satin
PL-C130644-5	5 Gallon	Satin
PL-C130646-1	1 Gallon	Semi-Gloss
PL-C130646-5	5 Gallon	Semi-Gloss
PL-C130648-1	1 Gallon	Gloss
PL-C130648-5	5 Gallon	Gloss

Product #	Size
PL-C130919-1	1 Gallon
PL-C130919-5	5 Gallon

Product #	Size	Sheen
PL-W133044-1	1 Gallon	Satin
PL-W133044-5	5 Gallon	Satin

Product #	Size
PL-W133049-1	1 Gallon
PL-W133049-5	5 Gallon



# Nitrocellulose Lacquer

## DesignRclassic® Furniture Lacquer



DesignRclassic® Furniture Lacquer Clear is a GREENGUARD certified fine furniture quality nitrocellulose lacquer that has excellent build, is fast drying, and HAPs Compliant. DesignRclassic® Furniture Lacquer Clear was specifically developed for the furniture industry and provides excellent scratch and mar resistance, a nice smooth-touch feel, optimal flow, clarity and outstanding depth of color.

### Performance

- Excellent film build
- Fast drying to aid in production
- Scratch and mar resistant

Product #	Size	Sheen
PL-C131611-5	5 Gallon	Flat
PL-C131611-55	53 Gallon	Flat
PL-C131612-1	1 Gallon	Dull
PL-C131612-5	5 Gallon	Dull
PL-C131612-55	53 Gallon	Dull
PL-C131614-1	1 Gallon	Satin
PL-C131614-5	5 Gallon	Satin
PL-C131614-55	53 Gallon	Satin
PL-C131616-5	5 Gallon	Soft
PL-C131616-55	53 Gallon	Soft
PL-C131618-1	1 Gallon	Gloss
PL-C131618-5	5 Gallon	Gloss
PL-C131618-55	53 Gallon	Gloss

## NC Black Primer Undercoater



NC Black Primer/Undercoater is a fast dry, easy sanding, High performance Nitrocellulose lacquer primer/undercoater. It is specifically formulated for use as the first coat under nitrocellulose products. DO NOT use under post-catalyzed products. Black NC Primer exhibits very good adhesion on wood, particleboard and hard board. Also has good holdout over porous surfaces such as soft wood and untempered hard board. Sands very well to produce an excellent base coat with outstanding holdout of topcoats.

### Performance

- 550 VOC Compliant
- Fast drying
- Easy sanding
- Excellent adhesion
- Outstanding holdout over porous wood surfaces

Product #	Size
PL-W275-9-1	1 Gallon
PL-W275-9-5	5 Gallon

## Magnalac® Undercoater



Magnalac® Primer/Undercoater is a fast dry, easy sanding performance nitrocellulose lacquer primer/undercoater. It is specially formulated for use as the first coat under Magnalac® Pre-Catalyzed Pigmented Lacquer but will also work as an excellent primer/undercoater for other products. It exhibits very good adhesion on wood, particle board and hard boards. Also, has good holdout over porous surfaces such as soft wood and untempered hard board. Sands very well to produce an excellent base coat with outstanding holdout of topcoats.

### Performance

- Superior moisture resistant
- Excellent top coat hold out
- Fast drying
- Easy to sand

Product #	Size
PL-W350-10-1	1 Gallon
PL-W350-10-5	5 Gallon

# Vinyl Sealers / Primers



## Quick Dry Vinyl Sealer

Quick Dry Vinyl Sealer is a HAPs free fast dry vinyl modified nitrocellulose lacquer sealer with excellent sanding properties. It is formulated to offer an improvement over conventional lacquer sealers where excellent adhesion, stain blocking and superior moisture resistance is required.

### Performance

- Excellent sanding properties
- Stain and moisture resistant

Product #	Size
PL-C101-89-1	1 Gallon
PL-C101-89-5	5 Gallon
PL-C101-89-55	53 Gallon



## Water White Vinyl Sealer

Water White Vinyl Sealer is a fast dry, medium solids, water white vinyl sealer that is non-yellowing and is formulated to offer outstanding adhesion, sanding properties, stain blocking and superior moisture resistance.

Product #	Size
PL-C100-25-1	1 Gallon
PL-C100-25-5	5 Gallon
PL-C100-25-55	53 Gallon



## Quick Dry White Vinyl Primer

Quick Dry White Vinyl Primer is a fast drying, easy sanding primer that is specially formulated for use as a first coat under all M.L. Campbell® pigmented solvent-based pre-catalyzed and post-catalyzed lacquers, conversion varnishes, nitrocellulose lacquers and CAB modified lacquers. It exhibits very good adhesion on wood, MDF, particleboard and other hard boards. Quick Dry White Vinyl Primer provides good moisture resistance and stain blocking. Sands very well to produce an excellent base coat with outstanding holdout of topcoats.

### Performance

- Fast drying
- Easy sanding
- Good moisture resistance
- Stain blocking

Product #	Size
PL-W12419-5	5 Gallon
PL-W12419-55	53 Gallon



## White Vinyl Primer

White Vinyl Primer is a non-yellowing, fast dry, easy sanding primer. White Vinyl Primer (WVP) is specially formulated for use as a first coat under all M.L. Campbell® pigmented nitrocellulose, pre-catalyzed and post-catalyzed products. It exhibits very good adhesion on wood, MDF, particleboard and other hard boards. WVP has superior moisture resistance and stain blocking. Sands very well to produce an excellent base coat with outstanding holdout of topcoats.

### Performance

- Superior moisture resistant
- Excellent top coat hold out
- Fast drying
- Easy to sand

Product #	Size
PL-W112-19-1	1 Gallon
PL-W112-19-5	5 Gallon





## WoodSong® 10% Solids Stain Base

WoodSong® II Stain Base and Pre-Stain was specifically designed to work with M.L. Campbell® colorants for color formulation. The GREENGUARD certified, HAPS compliant formula allows the user better workability while providing quick recoatability. You can achieve deeper, richer colors with WoodSong® II because of its formula clarity and consistency. The Pre-Stain helps eliminate many of the blotching problems when staining substrates such as Cherry and Maple.

Product #	Size
PL-WS2-B10-QT	1 Quart
PL-WS2-B10-1	1 Gallon
PL-WS2-B10-5	5 Gallon
PL-WS2-B10-55	55 Gallon



## WoodSong® II Deep Penetrating Stain Base

WoodSong® II Deep Penetrating Stain Base is a low Solids VOC compliant alkyd stain base that penetrates the wood to obtain darker colors resulting in excellent grain definition. WS2DPS10 has outstanding application properties and excellent open time to wipe. WS2DPS10 is compliant for California SCAQMD for a low solids stain.

### Performance

- VOC compliant
- Low solids
- SCAQMD compliant

Product #	Size
PL-WS2-DPS10-1	1 Gallon
PL-WS2-DPS10-5	5 Gallon
PL-WS2-DPS10-55	53 Gallon



## WoodSong® 20% Solids Stain Base

WoodSong® II Hi-Solids Stain Base WS2B20 was specifically designed to work with M.L. Campbell® colorants for color formulation. The HAPS compliant WoodSong II Hi-Solids formula allows the user better workability. You can achieve deeper, richer colors with WoodSong® II because of its formula clarity and consistency.

### Performance

- High solids
- Excellent workability
- Achieve deep, rich colors

Product #	Size
PL-WS2-B20-1	1 Gallon
PL-WS2-B20-5	5 Gallon

# Spray-Only Stains



## WoodSong® Amazing Stain Base

WoodSong® Amazing Stain Base is a GREENGUARD certified fast drying spray stain base. It was formulated to be used on wood substrates when blotching is a problem.

### Performance

- Fast drying
- Controls blotching

Product #	Size
PL-WS2-VB6-1	1 Gallon
PL-WS2-VB6-5	5 Gallon
PL-WS2-VB6-55	53 Gallon



## WoodSong® II NGR Stain Base

WoodSong® II NGR Stain Base is a GREENGUARD certified easy to spray nongrain raising, fast drying spray stain. Specifically developed for the furniture industry, WoodSong® II NGR Stain Base provides a clean, uniform color to the substrate. Using M.L. Campbell® Lightfast Dye Concentrates, WoodSong® II NGR Stain Base is perfect for matching custom light to dark rich colors.

### Performance

- Non-grain raising
- Fast drying

Product #	Size
PL-WS2-NB4-1	1 Gallon
PL-WS2-NB4-5	5 Gallon
PL-WS2-NB4-55	53 Gallon



## WoodSong® II Microton Spray Dye Stain

WoodSong® II Microton Spray Dye Stains are compatible with all solvent stain bases. Produced with the most light-fast fabric dyes, they are fast drying and can be used to enhance the texture and grain of wood. Even multi-coats of Microton Stains will not obscure the grain on fine woods. These dyes are GREENGUARD certified and the solvent system for these dyes is acetone, which makes them VOC and HAPS free.

### Performance

- Will not obscure wood grain
- Spray and wipe application

Product #	Color	Size
PL-WS2-M300-QT	Walnut	1 Quart
PL-WS2-M300-1	Walnut	1 Gallon
PL-WS2-M301-QT	Cherry	1 Quart
PL-WS2-M301-1	Cherry	1 Gallon
PL-WS2-M302-QT	Dark Walnut	1 Quart
PL-WS2-M302-1	Dark Walnut	1 Gallon
PL-WS2-M303-QT	Mahogany	1 Quart
PL-WS2-M303-1	Mahogany	1 Gallon
PL-WS2-M304-QT	Oak	1 Quart
PL-WS2-M304-1	Oak	1 Gallon
PL-WS2-M305-QT	Dark Oak	1 Quart
PL-WS2-M305-1	Dark Oak	1 Gallon
PL-WS2-M306-QT	Cordovan	1 Quart
PL-WS2-M306-1	Cordovan	1 Gallon
PL-WS2-M307-QT	Red	1 Quart
PL-WS2-M307-1	Red	1 Gallon
PL-WS2-M308-QT	Yellow	1 Quart
PL-WS2-M308-1	Yellow	1 Gallon
PL-WS2-M309-QT	Orange	1 Quart
PL-WS2-M309-1	Orange	1 Gallon
PL-WS2-M312-QT	Black	1 Quart
PL-WS2-M312-1	Black	1 Gallon
PL-WS2-TPY-1	Red	1 Gallon
PL-WS2-TPY-1	Yellow	1 Gallon

# Glazes



## Amazing Glaze

Amazing Glaze is a HAPs Free one component, glaze tint base. Amazing Glaze does not require vinyl sealer and saves shop time since it is designed to be rubbed off in as little as 1 minute.

**Performance**

- Can be rubbed off in as little as 1 minute
- Aids in production work

Product #	Size
PL-F5564-QT	1 Quart
PL-F5564-1	1 Gallon



## Amazing Glaze III

Amazing Glaze III is a one component glaze tint base. Amazing Glaze III does not require vinyl and saves shop time since it is designed to be rubbed off in as little as 1 minute.

**Performance**

- Can be rubbed off in as little as 1 minute
- Aids in production work

Product #	Size
PL-MC120117-QT	1 Quart
PL-MC120117-1	1 Gallon



## Vintage Alkyd Glaze

Vintage Alkyd Glaze is a HAPs Compliant easy wiping glaze developed to add color depth to three-dimensional surfaces. This glaze formula is designed to create hang-up in decorative wood profiles, imitate aging and provide other decorative patterns on interior wood surfaces. Vintage Alkyd Glaze exhibits excellent workability as well as fast and easy recoating.

**Performance**

- Excellent workability
- Fast dry and recoat times

Product #	Size
PL-N22030-QT	1 Quart
PL-N22030-1	1 Gallon



## WoodSong® II Furniture Glaze

WoodSong® II Furniture Glaze is an easy wiping glaze that will add color depth to three-dimensional surfaces. This glaze formula is designed to create hang-up in decorative wood profiles, imitate aging and provide other decorative patterns on interior wood surfaces. WoodSong® II Furniture Glaze offers excellent workability as well as fast recoating.

**Performance**

- VOC compliant
- 1 hour workable time

Product #	Size
PL-N22090-QT	1 Quart
PL-N22090-1	1 Gallon

## REDUCER AND RETARDER USAGE CHART

REDUCERS			
SOLVENT	CONDITIONS	TEMPERATURE RANGE	EVAPORATION RATES
<b>PL-C160-36</b> Standard Lacquer Thinner	Cool/Warm	60°F - 85°F 16°C - 29°C	1.64 Fast
<b>PL-C162-1</b> Care Reducer <small>(no HAPs)</small>	Moderate	65°F - 90°F 18°C - 32°C	0.75 Medium

RETARDERS			
SOLVENT	CONDITIONS	TEMPERATURE RANGE	EVAPORATION RATES
<b>PL-C161-1</b> Care Retarder <small>(no HAPs)</small>	Warm/Humid	75°F - 90°F 24°C - 32°C	0.66 Medium
<b>PL-C162</b> Flow Enhancer #1 <small>(no HAPs)</small>	Hot/Dry	80°F - 95°F 27°C - 35°C	0.48 Slow
<b>PL-C163-36</b> BC Retarder <small>(no HAPs)</small>	Hot/Tropical	85°F - 95°F 29°C - 35°C	0.08 Very Slow
<b>PL-C163</b> Flow Enhancer #2 <small>(no HAPs)</small>	Hot/Tropical	90°F - 100°F 32°C - 38°C	0.31 Slow

These recommendations are based on 50% humidity levels. When humidity levels are above 50%, you may need to choose the next slower reducer/retarder for best results. This is only to be used as a guide due to variation in shop environments.

**NOTE:** Standard evaporation rate is 1.0. Values above 1.0 indicate faster evaporation rates. Values below 1.0 indicate slower evaporation rates.



# Thinners

## Premium Thinner



Standard Lacquer Thinner is a high-quality special blend of solvents specifically designed to be an excellent reducer for nitro-cellulose, pre-catalyzed, post catalyzed, butyrate and acrylic lacquers. It is tolerant of a wide range of poor application conditions, and will maintain good dry, flow, and blush resistance. Standard Lacquer Thinner has a minimum tendency to raise the wood grain. This combination of properties minimizes the sanding required on lacquer sealer and between finish coats. Many finishing problems would not have occurred if a quality lacquer thinner had been used. No recycled solvents are used in the manufacturing of this product.

### Performance

- Aids in application
- Blush resistant
- Helps maintain product flow

Product #	Size
PL-C160-36-1	1 Gallon
PL-C160-36-5	5 Gallon
PL-C160-36-55	53 Gallon



## Economy Thinner

C189 36 Fast Lacquer Thinner is an economy blend of solvents specifically designed to be used as a clean up solvent for nitrocellulose, pre-catalyzed, post catalyzed, butyrate and acrylic lacquers. If used in M.L. Campbell® Products C189 36 may cause flow, leveling and bubbling issues; therefore, it is recommended that C189 36 be used as a gun cleaner.

### Performance

- Fast drying for easy clean up

Product #	Size
PL-C189-36-5	1 Gallon
PL-C189-36-55	53 Gallon



## Wash Thinner

C12036 Wash Thinner is an economy blend of lacquer thinner formulated with fast evaporation for quick and easy clean up of spray equipment.

### Performance

- Fast drying

Product #	Size
PL-C120-36-5	5 Gallon
PL-C120-36-55	53 Gallon



## Butyl Acetate

Butyl Acetate is a blend of special evaporating solvents which are intended to correct most leveling and flow problems. Butyl Acetate contains no aromatic or ketone solvents.

### Performance

- Aids in leveling and flow

Product #	Size
PL-C140-36-5	5 Gallon



## Belt Wash Solvent

MC133517 Belt Wash Solvent is a fast acting economy blend cleaning solvent formulated with fast evaporation for quick and easy cleaning of automated spray lines.

### Performance

- Fast acting for quick clean up

Product #	Size
PL-MC133517-55	53 Gallon



## Fast Reducer VOC Exempt

Fast VOC Exempt Reducer is a blend of special evaporating solvents. The addition of small amounts will correct most leveling and flow problems.

**Performance**

- VOC compliant
- Aids in flow and leveling

Product #	Size
PL-VC16936-1	1 Gallon
PL-VC16936-5	5 Gallon
PL-VC16936-55	53 Gallon



## Care Reducer

Care Lacquer Reducer is a blend of special evaporating solvents. The addition of small amounts will correct most leveling and flow problems. The recommended amounts is 10 to 12 ounces per gallon.

Care Lacquer Reducer contains no aromatic or ketone solvents.

**Performance**

- Aids in flow and leveling

Product #	Size
PL-C162-1-1	1 Gallon
PL-C162-1-5	5 Gallon



## Flow Enhancer Slow Reducer 1

Flow Enhancer 1 is a premium slow reducer specially formulated for conditions of high heat and humidity. It consists of a quality blend of Glycol Ethers and Ester Solvents. This product will effectively help to enhance the flow of our products and will help to reduce bubbling and blushing caused by the effects of high heat and humidity during application. Flow Enhancer 1 will reduce dry spray and lapping.

**Performance**

- Enhances product flow
- Reduces bubbling and blushing due to high heat and humid conditions

Product #	Size
PL-C162-1	1 Gallon
PL-C162-5	5 Gallon



## Flow Enhancer Slow Reducer 2

Flow Enhancer #2 is a premium slow reducer/retarder specially formulated for conditions of high heat and humidity. Flow Enhancer #2 consists of a quality blend of Glycol Ethers and Ester Solvents. This product will effectively help enhance the flow of ML Campbell products and will help reduce bubbling and blushing caused by the effects of high heat and humidity during application by keeping the top layer of film open longer. Flow Enhancer #2 will eliminate lapping.

**Performance**

- Enhances product flow
- Reduces bubbling and blushing due to high heat and humid conditions

Product #	Size
PL-C163-1	1 Gallon
PL-C163-5	5 Gallon



## Care Retarder

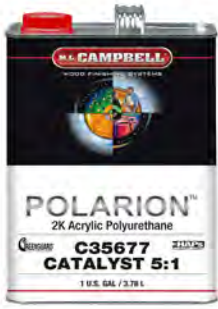
Care Lacquer Retarder is a blend of special slow evaporating solvents. The addition of small amounts will correct most leveling, flow and blushing problems. These problems are often the result of poor application conditions, extreme humidity or the use of inferior lacquer thinners. Lacquer Retarder is also used to maximize the full gloss of high gloss finishes. The recommended amount is 10 to 12 ounces per gallon. Care Lacquer Retarder contains no aromatic or ketone solvents.

**Performance**

- Aids in flow and leveling
- Reduces the risk of blushing in humid conditions

Product #	Size
PL-C161-1-1	1 Gallon
PL-C161-1-5	5 Gallon

# Catalyst



## POLARION™ Catalyst 5:1

POLARION™ Catalyst was specially developed for use with POLARION™ Interior Polyurethane finishing systems. These systems offer excellent chemical and moisture resistance, true nonyellowing performance, and fast dry times.

Product #	Size
PL-C35677-QT	1 Quart
PL-C35677-1	1 Gallon



## Care Catalyst

Care Catalyst was specially developed for use with M.L. Campbell® PostCatalyzed systems.

Product #	Size
PL-C149-1-1	1 Gallon
PL-C149-1-5	5 Gallon



## EnviroVar™ Catalyst

EnviroVar™ Catalyst specifically developed for use with M.L. Campbell® Clean Cure PostCatalyzed Pigmented systems.

Product #	Size
PL-C1052-1	1 Gallon

# Pre-Cat Waterborne



## MagnaMax® H2O

MagnaMax® H2O pre-catalyzed waterborne polyurethane was developed to offer solvent-like performance in a shop-friendly, water-based formula. It's the ideal choice for a shop that wants the appearance and durability of a solvent-borne finish along with the safety and clean-up benefits of a waterborne formula. MagnaMax® H2O is available in dull, satin, semi-gloss and gloss sheens.

### Performance

- Single component, pre-catalyzed polyurethane resin
- Durability and appearance of a solvent-borne finish
- Non-flammable, VOC compliant formula
- Excellent chemical resistance
- Great for cabinets, furniture, hardwood flooring and millwork

Product #	Size	Sheen
PL-C199152-1	1 Gallon	Dull
PL-C199152-5	5 Gallon	Dull
PL-C199154-1	1 Gallon	Satin
PL-C199154-5	5 Gallon	Satin
PL-C199156-1	1 Gallon	Semi Gloss
PL-C199156-5	5 Gallon	Semi Gloss
PL-C199158-1	1 Gallon	Gloss
PL-C199158-5	5 Gallon	Gloss



## Agualente® PLUS Clear

Agualente® PLUS Clear is a pre-catalyzed, low VOC, water borne clear coating for interior wood surfaces. This GREENGUARD Certified clear coating is based on advanced resin technology that mirrors its solvent-based counterpart – pre-catalyzed clear lacquer. This proprietary technology allows Agualente® PLUS Clear to dry quickly and produces no hazardous off-gassing during cure. Agualente® PLUS Clear is available in a full range of sheens which makes it ideal for kitchen and bath cabinets, household or office furniture, display fixtures, paneling or general interior wood surfaces. Agualente® PLUS Clear passes all KCMA tests, AWI System 2, Pre-catalyzed Lacquer and System 8, Water Base Acrylic Cross Linking chemical and moisture resistance tests.

### Performance

- Excellent stain resistance
- Sprays, applies and flows like a solvent base product
- Resists yellowing
- Easy to sand
- Fast drying to reduce sand and recoat times
- Formaldehyde free, low odor formulation

Product #	Size	Sheen
PL-C136352-1	1 Gallon	Dull
PL-C136352-5	5 Gallon	Dull
PL-C136354-1	1 Gallon	Satin
PL-C136354-5	5 Gallon	Satin
PL-C136358-1	1 Gallon	Gloss
PL-C136358-5	5 Gallon	Gloss



## Agualente® PLUS Sealer

Agualente® PLUS Sealer a technically advanced, GREENGUARD certified, VOC compliant, easy sanding, HAPs Free, water borne sealer for interior wood surfaces. Agualente® Plus WB Sealer is based on breakthrough resin technology that produces no hazardous offgassing during cure. Its new technology provides a fast dry trouble-free sealer application under Agualente Plus and Aguatana® topcoats that enhances the richness and clarity of the overall finishing system.

### Performance

- Excellent sanding properties
- Stain and moisture resistant

Product #	Size
PL-C136359-1	1 Gallon
PL-C136359-5	5 Gallon





## HP WB Production Lacquer Clear

HP Water Borne Production Lacquer is a GREENGUARD certified technically advanced single component clear designed for interior wood millwork surfaces. It is based on European acrylic copolymer resin technology that offers fast dry, low VOC, HAPS Free formula designed for air dry and forced dry production application. The HP WB Production Lacquer complete system is ideal for quick application and features an easy sanding sealer that is highly recommended to provide a flat sealed surface before topcoating.

**Performance**

- Fast drying
- VOC compliant

Product #	Size
PL-C127954-5	5 Gallon



## HP WB Production Lacquer Sealer

HP Water Borne Production Lacquer Sealer is a GREENGUARD certified technically advanced single component clear sealer designed for interior wood millwork surfaces. It is based on European acrylic copolymer resin technology that offers fast dry, low VOC, HAPS Free formula designed for air dry and forced dry production application. HP WB Production Lacquer Sealer is ideal for quick application and features an easy sanding formula that provides a flat sealed surface for HP WB Production Lacquer topcoats.

**Performance**

- Fast drying
- VOC compliant
- Sands easily

Product #	Size
PL-C127959-5	5 Gallon
PL-C127959-55	53 Gallon



## Agualente® PLUS Pre-Cat White/Opaque

Agualente® PLUS Pre-Cat White/Opaque technically advanced, GREENGUARD Certified, VOC compliant, easy sanding, HAPs Free, pre-catalyzed water borne coating for interior wood surfaces. Agualente® PLUS is based on breakthrough proprietary resin technology that produces no hazardous off-gassing during cure. Its new technology provides fast dry and troublefree application as well as a beautiful appearance, mirroring its solvent-based counterpart – pre-catalyzed lacquer. Agualente® PLUS passes all KCMA tests, AWI System 2, Pre-catalyzed Lacquer and System 8, Water Base Acrylic Cross Linking chemical and moisture resistance tests.

**Performance**

- VOC compliant
- Easy sanding
- Chemical and moisture resistant

Product #	Size	Sheen
PL-W136252-1	1 Gallon	Dull
PL-W136252-5	5 Gallon	Dull
PL-W136254-1	1 Gallon	Satin
PL-W136254-5	5 Gallon	Satin
PL-W136258-1	1 Gallon	Gloss
PL-W136258-5	5 Gallon	Gloss



## Agualente® PLUS Primer

Agualente® PLUS Stain-blocking WB White Primer is a GREENGUARD certified, fast drying, easy sanding water borne white primer made with a very unique all acrylic polymer that has built in functionality to help prevent tannin / stain migration. Special polymers lock in water-soluble tannins to help prevent them from bleed through while also creating an ideal smooth basecoat for water borne pigmented topcoats.

**Performance**

- Fast drying
- Easy sanding
- Prevents tinnin and stain migration

Product #	Size
PL-W136259-1	1 Gallon
PL-W136259-5	5 Gallon



## HP WB Production Lacquer White/Opaque

High Performance Water Borne Production Lacquer White/Opaque is a technically advanced pigmented water borne topcoat designed for interior commercial and residential wood millwork, furniture and display fixtures. HP Water Borne Production Lacquer White/Opaque is based on European acrylic copolymer resin technology that offers a fast dry, low VOC, HAPs Free formula which provides trouble free production application as well as a very smooth appearance and touch.

### Performance

- VOC compliant
- Fast drying

Product #	Size
PL-W129554-1	1 Gallon
PL-W129554-5	5 Gallon



## HP WB Production Lacquer Primer

High Performance Water Borne Production Primer is a fast drying and easy sanding pigmented primer made with European acrylic copolymer resin technology. HP Water Borne Production Primer is specially formulated to be used as the first coat under HP Water Borne Production Lacquer Pigmented, but it can also provide an ideal smooth base coat for other water borne pigmented topcoats. HP Water Borne Production Primer is an ideal primer for wood and MDF on commercial and residential millwork, furniture and display fixtures.

### Performance

- Fast drying
- Easy sanding

Product #	Size
PL-W129599-5	5 Gallon



## Water Borne Millwork Primer

Water Borne Millwork Primer is a very fast drying interior/exterior water borne pre-primed millwork primer with very good adhesion, holdout and sands easily between coats. Water Borne Millwork Primer is designed to be a production transport primer, which is only intended to seal the substrate from incidental exposure to the elements prior to applying the final finish coating system. M.L. Campbell® can not evaluate local available paint systems. Consult a paint professional or paint manufacturer for the coatings best suited for project. Failure to finish the substrate as instructed may result in performance problems.

### Performance

- Very fast drying
- Interior and exterior use
- Excellent top coat hold out
- Easy sanding

Product #	Size
PL-W134059-5	5 Gallon



# Waterborne Stain



## WoodSong® Water Borne Stain Base

WoodSong® II Water Borne Spray & Wipe Stain Base is an easy wiping, user friendly, GREENGUARD Certified, fast drying, low VOC Water Borne Stain with excellent wood grain penetration that provides outstanding color depth not normally found in water borne stain formulations. This stain achieves a solvent borne look in a unique high performance water borne formula. Water Borne Spray & Wipe Stain Base is recoatable with water borne and solvent borne finishes. This product is for interior use only.

### Performance

- VOC compliant
- Excellent wood penetration
- Fast drying

Product #	Size
PL-WS2WB29-1	1 Gallon
PL-WS2WB29-5	5 Gallon



## WoodSong® II Water Borne Spray Stain Base

WoodSong® II Water Borne Spray Stain Base is an easy to use, environmentally friendly, fast drying, low VOC Water Borne Stain. It provides excellent wood grain penetration and outstanding color depth not normally found in water borne stain formulations. This stain achieves a solvent borne look in a unique high performance water borne spray formula. Water Borne Spray Stain Base is recoatable with water borne and solvent borne finishes.

### Performance

- VOC compliant
- Excellent wood penetration
- Fast drying

Product #	Size
PL-WS2WB3-1	1 Gallon
PL-WS2WB3-5	5 Gallon



## Azoton™ Dye Stains

Azoton™ Dye Stains are compatible with all M.L. Campbell® water borne stains and clearcoats.

Formulated using the most light fast dyes, they enhance the grain appearance of wood. These dyes are GREENGUARD certified and considered low solids stains with less than 1 lb of solids per gallon for VOC compliance.

### Performance

- Enhance the grain appearance
- Low solids of wood

Product #	Color
PL-WS2WBD500-1	Walnut
PL-WS2WBD501-1	Cherry
PL-WS2WBD502-1	Dark Walnut
PL-WS2WBD503-1	Mahogany
PL-WS2WBD504-1	Oak
PL-WS2WBD505-1	Dark Oak
PL-WS2WBD506-1	Cordovan
PL-WS2WBD507-1	Red
PL-WS2WBD508-1	Yellow
PL-WS2WBD509-1	Orange
PL-WS2WBD512-1	Black



## Water Borne Glaze

Water Borne Glaze can be used with MLC waterborne or solventborne products. N22034 is a GREENGUARD certified HAPs free, low VOC tint base formulated to provide a longer working open time.

### Performance

- VOC compliant
- 1 hour workable time

Product #	Size
PL-N22034-QT	1 Quart



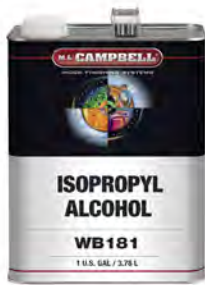
## Water Borne Flattening Paste

Water Borne Flattening Paste is an easy to use, highly efficient, non-yellowing flattening paste for use in most M.L. Campbell® water based topcoats to adjust sheen levels.

### Performance

- Non-yellowing

Product #	Size
PL-WR128-1	1 Gallon



## Isopropyl Alcohol

Isopropyl Alcohol is a specialty solvent that is generally used to speed up dry times in water borne products when necessary. M.L. Campbell® Water Borne products under certain atmospheric conditions or application methods may require some reduction. Isopropyl Alcohol mixed with water can be used to reduce viscosity. In addition, a mixture of Isopropyl Alcohol and water can be used to remove excess dried water borne glaze on certain sealed finishing systems.

### Performance

- Enhances dry time in Water Borne product

Product #	Size
PL-WB181-1	1 Gallon



## Aquastar Water Borne Flow Additive

Aquastar is specifically formulated water borne flow additive that can be added to M.L. Campbell® water borne products when necessary. M.L. Campbell® Water Borne products under certain atmospheric conditions or application methods may require some reduction. Aquastar, when used for reduction in the amounts specified under "Application" will improve flow, leveling and spreading rate. Unlike reduction using only water, it will not raise the grain or cause sagging.

Product #	Size
PL-WR5024-QT	1 Quart



## Water Borne Gun and Line Cleaner Concentrate

Water Borne Gun and Line Cleaner Concentrate is used for cleaning and flushing water borne coatings from guns, fluid lines, pumps and for general cleanup.

### Performance

- Fast drying

Product #	Size
PL-GLC10-1	1 Gallon

# Finish Accessories



## Cone Strainer Medium Mesh 250ct

FS-CONE-M-250

Cone Strainers are ideal for removing unwanted dust and other impurities from small quantities of paint. Now made with synthetic mesh instead of cotton, this means more accurate pore sizes, better filtration and purification of paint, and faster straining. Medium mesh strainers work on latex or oil based paints, and fine mesh cone strainers are especially suited for all lacquers and enamels. Super Fine Mesh are designed especially for base coat or clear coat finishes, but also provide superior painting for all paints, including water-based.



## Stain Applicator Pad 6"x4"x1"

FS-SAW-T641

Staining Pads are an excellent choice for applying all stains to any surface. Sponge with terry cloth cover. Great for staining, antiquing, polishing, waxing and washing.



## Stain Applicator Pad 4"x4"x1"

FS-SAW-T441

Staining Pads are an excellent choice for applying all stains to any surface. Sponge with terry cloth cover. Great for staining, antiquing, polishing, waxing and washing.



## Tack Rags 16"x36"

FS-TackRag

While working on virtually any surface, our Tack Cloth is excellent for cleaning between coats of paint or stain and is reusable. To use, simply open cloth fully, bunch together and wipe surface gently before each coat of finish. The highly tacky cloth will pick up any loose debris.



## Metal Gallon Can With Lid

FS-METAL-CAN-GL

A 1 gallon unlined metal paint can and lid is generally used for solvents and oil-based products. It can also be used to package and transport coatings, adhesives, mastics and other viscous products.



## Metal Quart Can With Lid

FS-METAL-CAN-QT

A 1 quart unlined metal paint can without ears. Generally used for solvents and oil-based products. It can also be used to package coatings, adhesives, mastics and other viscous products.



## 4" Foam Brush

FS-JEN-4FB

4" Foam Brush by Jen is ideal for the application of enamel, latex, oil paints, stain and varnish. It smooths out the paint and covers correctly with fewer strokes, eliminating brush marks or loose bristles so that even the inexperienced users can achieve reliable, professional results. We do not recommend that our products be used with shellac or lacquer.



## 2" Foam Brush

FS-JEN-2FB

2" Foam Brush by Jen is ideal for the application of enamel, latex, oil paints, stain and varnish. It smooths out the paint and covers correctly with fewer strokes, eliminating brush marks or loose bristles so that even the inexperienced users can achieve reliable, professional results. We do not recommend that our products be used with shellac or lacquer.



## 1" Foam Brush

FS-JEN-1FB

1" Foam Brush by Jen is ideal for the application of enamel, latex, oil paints, stain and varnish. It smooths out the paint and covers correctly with fewer strokes, eliminating brush marks or loose bristles so that even the inexperienced users can achieve reliable, professional results. We do not recommend that our products be used with shellac or lacquer.



## 3" White Chip Brush

FS-BRUSH-WC-3

These disposable brushes are constructed with 100% white china bristle and an unfinished wood handle with silver ferrule. Can be used with most paints, glues, and adhesives.



## 2" White Chip Brush

FS-BRUSH-WC-2

These disposable brushes are constructed with 100% white china bristle and an unfinished wood handle with silver ferrule. Can be used with most paints, glues, and adhesives.



## 1" White Chip Brush

FS-BRUSH-WC-1

These disposable brushes are constructed with 100% white china bristle and an unfinished wood handle with silver ferrule. Can be used with most paints, glues, and adhesives.



**Solid Surface Blade**

Produces the smoothest cutting on solid surface materials. Special clearances allow for smoothest cut on these materials. Gives a finish which requires virtually no sanding or polishing. Seam quality cut.

Part Number	DIA x Teeth
EV-DFL-C1080	10x80



**Double Face Melamine/Laminate Blade**

The perfect saw for the best possible cutting of Melamine laminated panels. These blades can perform equally as well on both radial or table saws.

Part Number	DIA x Teeth
EV-DFL1080	10x80



**Double Face Melamine / Veneer Blade**

Smoothest cutting saw for double sided materials such as Melamine, Kortron & Veneer. Can be used on radial or table saws.

Part Number	DIA x Teeth
EV-DFL108030	10x80



**Mitre Saws**

Especially designed for cutting wood moldings on all types of mitre machines and Rockwell type mitre box saws. Negative tooth design provides the least possible grabbing of material.

Part Number	DIA x Teeth
EV-MT1280D	12x80



**Standard Purpose Alternate Bevel Cut-Off Saws**

For fine finishing cuts in plywood, veneered panels, masonite coated or uncoated, crosscutting in hard or soft woods. Ideal for table

Part Number	DIA x Teeth
EV-1060A	10x60



**Standard Purpose Triple Chip Cut-Off Saws**

For fine finishing cuts in plywood, veneered panel, masonite coated or uncoated, crosscutting in hard or soft woods. Ideal for table saws. Please note triple chip grind recommended for cutting all types of abrasive materials such as chipboard or high pressure laminates.

Part Number	DIA x Teeth
EV-1060T	10x60

## Carbide Tipped Hinge Boring Bit



**Part Number:**  
AT-203261

**Size:**  
R/H 26mm Dia x 57mm Long x 10mm Shank



**Part Number:**  
AT-203351

**Size:**  
R/H 35mm Dia x 57mm Long x 10mm Shank



**Part Number:**  
AT-203301

**Size:**  
R/H 30mm Dia x 57mm Long x 10mm Shank



**Part Number:**  
AT-203401

**Size:**  
R/H 40mm Dia x 57mm Long x 10mm Shank

## Carbide Tipped Brad Point Boring Bit



**Part Number:**  
AT-301008

**Size:**  
L/H 8mm Dia x 57mm Long x 10mm Shank



**Part Number:**  
AT-201008

**Size:**  
R/H 8mm Dia x 57mm Long x 10mm Shank



**Part Number:**  
AT-301005

**Size:**  
L/H 5mm Dia x 57mm Long x 10mm Shank



**Part Number:**  
AT-201005

**Size:**  
R/H 5mm Dia x 57mm Long x 10mm Shank



**Part Number:**  
AT-301010

**Size:**  
R/H 10mm Dia x 57mm Long x 10mm Shank



**Part Number:**  
AT-201010

**Size:**  
R/H 10mm Dia x 57mm Long x 10mm Shank

## Solid Surface Sink Router Bits for Sinks & Under Mount Bowls



**Part Number:**  
AT-57159

**Size:**  
Bevel Trim 50 Deg Angle  
1-55/64 Dia x 3/8 Cut Depth x 1/4 Inch Shank  
for Wilsonart HD Laminate Sinks



**Part Number:**  
AT-57154

**Size:**  
3/4 Dia x 1 Inch x 1/2 Shank  
Carbide Tipped Sink and Trim with Ultra-Glide  
Ball Bearing Guide Solid Surface



**Part Number:**  
AT-57122

**Size:**  
1-1/4 Inch Dia x 15/16 x 10 Deg x 1/2 Shank  
Carbide Tipped Undermount Bowl Solid Surface



**Part Number:**  
AT-57155

**Size:**  
49/64 Dia x 1-1/2 x 12 Deg x 1/2 Inch Shank  
Carbide Tipped Sink and Trim with Ultra-Glide  
Ball Bearing Guide Solid Surface



**Part Number:**  
AT-57156

**Size:**  
1-25/32 Dia x 11/16 x 17 Deg x 1/2 Inch Shank  
Carbide Tipped Undermount Bowl Solid Surface



**Part Number:**  
AT-57147

**Size:**  
3/4 Dia x 3/8 x 1/4 Radius x 1/2 Inch Shank  
Carbide Tipped Corner Rounding with  
Ultra-Glide Ball Bearing Guide Solid Surface

## Trim Bits for Laminate



**Part Number:**  
AT-51202

**Size:**  
7 Degree x 1/4 Dia x 1/4 x 1/4 Inch Shank 1-Flute  
Solid Carbide Panel Pilot Bevel Trim



**Part Number:**  
AT-51200

**Size:**  
1/4 Dia x 1/4 x 1/4 Inch Shank 1-Flute  
Solid Carbide Panel Pilot Flush Trim



**Part Number:**  
AT-47150

**Size:**  
.059 Radius x 1/2 Dia x 3/8 x 1/4 Inch Shank  
Carbide Tipped No-File Trim



**Part Number:**  
AT-47090

**Size:**  
1/4 Dia x 1/2 x 1/4 Inch Shank  
Carbide Tipped Flush Trim



**Part Number:**  
AT-47104

**Size:**  
1/2 Dia x 1 Inch x 1/4 Shank  
Carbide Tipped Flush Trim



## Straight Bits



**Part Number:**  
AT-45200  
**Size:**  
1/8 Dia x 7/16 x 1/4 Inch Shank  
Straight Plunge High Production



**Part Number:**  
AT-45422  
**Size:**  
1/2 Dia x 1-1/2 x 1/2 Inch Shank  
Carbide Tipped Straight Plunge

## Roundover Bits



**Part Number:**  
AT-49496  
**Size:**  
1/8 Radius x 3/4 Dia x 3/8 x 1/4 Inch Shank  
Carbide Tipped Corner Round

## V Groove Bit



**Part Number:**  
AT-45718  
**Size:**  
90 Deg x 7/8 Dia x 5/8 x 1/4 Inch Shank  
Carbide Tipped V Groove

## Chamfer Bits



**Part Number:**  
AT-49407  
**Size:**  
11-1/4 Degree x 7/8 Dia x 1 x 1/2 Inch Shank  
Carbide Tipped Chamfer



**Part Number:**  
AT-49400  
**Size:**  
45 Degree x 1-1/4 Dia x 1/2 x 1/4 Inch Shank  
Carbide Tipped Chamfer

## Slot Cutter



**Part Number:**  
AT-53407  
**Size:**  
3 Wing x 1-7/8 Dia x 5/32 x 1/4 Inch Shank  
Slotting Cutter Assembly

## Collars



**Part Number:**  
AT-67422  
**Size:**  
7/8 Dia x 9/16 - 5/16 Rabbet Depth  
Superabbet Individual Collars



**Part Number:**  
AT-67414  
**Size:**  
1-1/4 Dia x 3/8 - 1/8 Rabbet Depth  
Superabbet Individual Collars



**PLASTI-CUT® FILES**

Designed and manufactured specifically for maximum performance on decorative laminates. Also excellent for edge finishing other plastics. PLASTI-CUT files save time, effort, and money by cutting faster and easier, and by lasting longer than ordinary files. Extra sharpness and hardness provide a long life of clean, fast filing. Select the MILL for smoothest finish, the FAST® for a more coarse file.

**PLASTI-CUT DUPLEX® FILES**

These combine the best features of all laminate files into one versatile tool. FAST® cut one side, MILL cut other side to meet any filing situation. Wide body with straight sides gives about 10% more filing area and is best for filing into corners. One edge has no teeth for safe corner filing. The rounded tang design is safer to use and it eliminates the need for a separate handle.

**PLASTI-CUT**

files are supplied in individual vinyl sleeves for protection in handling and to facilitate pegboard display. To prolong file life, keep the file in the sleeve when not in use.

Item Number	Type	Item Number	Type
PR-10M	10" MILL	PR-10F	10" FAST®
PR-12M	12" MILL	PR-12F	12" FAST®
PR-14M	14" MILL	PR-14F	14" FAST®
PR-10DX	10" DUPLEX®		



**SPLINES / BISCUITS Box of 1000 pcs**

Item Number	Size/Description
PR-SP-0	#0 Beechwood Splines
PR-SP-10	#10 Beechwood Splines
PR-SP-20	#20 Beechwood Splines



**J-ROLLER**

Handiest roller of all. The 3" rubber roller is soft enough to avoid marring but firm enough to smooth out all covering materials, and is conductive enough to prevent static build up. Up to 50 lb per square inch can be applied to assure thorough bonding of the adhesive layer. Since there are no axle protrusions on the open end, you can roll close to uprights without danger of marring. Light weight with Comfort Grip handle, it is easy to use and to carry.

Item Number  
PR-JR78



**EXTENSION ROLLER**

Three 2 1/4" resilient rollers let you cover a lot of territory in a hurry, be it decorative laminate, vinyl, or other adhesive-applied coverings. A favorite for decorative laminates, carpet, floor tile, and other resilient coverings. With the preferred loop handle grip at the roller section, heavy pressure can be applied right where it is needed - at the rollers. The twist-lock handle quickly adjusts from 18" to 27".

Item Number  
PR-ER333



## Premium Industrial X-Weight Aluminum Oxide Belts

For use on wood, metal, plastic, paint removal, substrates for laminates, heavy stock removal, evening of glued surfaces

Strong X-weight heavy duty tear resistant 65/35 polyester/cotton backing for longer cutting and heavy stock removal

Sungold's proprietary Thin-Joint Skivye Joint technology will not break or bump

P graded aluminum oxide grain provides fast smooth cut while fracturing to create new cutting services extending abrasive life

Full resin on resin bond to keep the grain on the cutting surface and waterproofing the sheet

### 3" x 21" Belts

Item Number	Grit	QTY
SU-3X21-100	100 GRIT	(10 EA/BX)
SU-3X21-120	120 GRIT	(10 EA/BX)
SU-3X21-36-NS	36 GRIT	(5 EA/BX)
SU-3X21-40	40 GRIT	(10 EA/BX)
SU-3X21-50	50 GRIT	(10 EA/BX)
SU-3X21-60	60 GRIT	(10 EA/BX)
SU-3X21-80	80 GRIT	(10 EA/BX)

### 3" x 24" Belts

Item Number	Grit	QTY
SU-3X24-100	100 GRIT	(10 EA/BX)
SU-3X24-120	120 GRIT	(10 EA/BX)
SU-3X24-150	150 GRIT	(10 EA/BX)
SU-3X24-40	40 GRIT	(10 EA/BX)
SU-3X24-50	50 GRIT	(10 EA/BX)
SU-3X24-60	60 GRIT	(10 EA/BX)
SU-3X24-80	80 GRIT	(10EA/BX)

### 4" x 24" Belts

Item Number	Grit	QTY
SU-4X24-100	100 GRIT	(10 EA/BX)
SU-4X24-120	120 GRIT	(10 EA/BX)
SU-4X24-150	150 GRIT	(10EA/BX)
SU-4X24-50	50 GRIT	(10 EA/BX)
SU-4X24-60	60 GRIT	(10 EA/BX)
SU-4X24-80	80 GRIT	(10 EA/BX)



**BULLDOG GOLD-23 Series**

Designed for finishing and heavy stock removal

Aluminum oxide grain delivers a fast, exceptionally long lasting cut

High strength resin bonding provides superior grain support

Special stearate coating is used to maximize resistance to clogging and loading

Semi-open coat produces an even, consistent scratch pattern

<b>4½" Disk PSA No-Hole</b>		
Part Number	Grit	Per Box
MI-23-573-120	120	1 Roll
MI-23-573-220	220	1 Roll

<b>5" Disk PSA No-Hole</b>		
Part Number	Grit	Per Box
MI-23-332-60	60	50 Discs
MI-23-332-80	80	100 Discs
MI-23-332-100	100	100 Discs
MI-23-332-120	120	100 Discs
MI-23-332-150	150	100 Discs
MI-23-332-180	180	100 Discs
MI-23-332-220	220	100 Discs
MI-23-332-320	320	100 Discs

<b>5" Disk PSA 5-Hole</b>		
Part Number	Grit	Per Box
MI-23-321-60	60	50 Discs
MI-23-321-80	80	100 Discs
MI-23-321-100	100	100 Discs
MI-23-321-120	120	100 Discs
MI-23-321-150	150	100 Discs
MI-23-321-180	180	100 Discs
MI-23-321-220	220	100 Discs
MI-23-321-320	320	100 Discs

<b>5" Disk VELCRO No-Hole</b>		
Part Number	Grit	Per Box
MI-23-612-80	80	50 Discs
MI-23-612-100	100	50 Discs
MI-23-612-120	120	50 Discs
MI-23-612-150	150	50 Discs
MI-23-612-180	180	50 Discs
MI-23-612-220	220	50 Discs
MI-23-612-320	320	50 Discs

<b>5" Disk VELCRO 5-Hole</b>		
Part Number	Grit	Per Box
MI-23-614-60	60	50 Discs
MI-23-614-80	80	50 Discs
MI-23-614-100	100	50 Discs
MI-23-614-120	120	50 Discs
MI-23-614-150	150	50 Discs
MI-23-614-180	180	50 Discs
MI-23-614-220	220	50 Discs
MI-23-614-320	320	50 Discs

<b>5" Disk VELCRO 8-Hole</b>		
Part Number	Grit	Per Box
MI-23-615-60	60	50 Discs
MI-23-615-80	80	50 Discs
MI-23-615-100	100	50 Discs
MI-23-615-120	120	50 Discs
MI-23-615-150	150	50 Discs
MI-23-615-180	180	50 Discs
MI-23-615-220	220	50 Discs
MI-23-615-320	320	50 Discs

<b>5" Disk VELCRO 17-Hole</b>		
Part Number	Grit	Per Box
MI-23-647-80	80	50 Discs
MI-23-647-100	100	50 Discs
MI-23-647-150	150	50 Discs

<b>6" Disk PSA No-Hole</b>		
Part Number	Grit	Per Box
MI-23-342-080	80	100 Discs
MI-23-342-100	100	100 Discs
MI-23-342-120	120	100 Discs
MI-23-342-150	150	100 Discs
MI-23-342-180	180	100 Discs
MI-23-342-220	220	100 Discs
MI-23-342-320	320	100 Discs

<b>6" Disk VELCRO No-Hole</b>		
Part Number	Grit	Per Box
MI-23-622-060	60	50 Discs
MI-23-622-080	80	50 Discs
MI-23-622-100	100	50 Discs
MI-23-622-120	120	50 Discs
MI-23-622-150	150	50 Discs
MI-23-622-180	180	50 Discs
MI-23-622-220	220	50 Discs
MI-23-622-320	320	50 Discs

<b>6" Disk VELCRO 19-Hole</b>		
Part Number	Grit	Per Box
MI-23-650-120	120	50 Discs
MI-23-650-180	180	50 Discs
MI-23-650-220	220	50 Discs



**AUTONET®-AE Series**

Excellent initial aggressivity

Long life-span compared to paper-backed discs

Eliminates clogging and pilling

Developed specifically for the automotive repair industry

Net abrasives are a key component for dust-free sanding



**ABRANET® Heavy Duty**

Developed for the toughest and most demanding sanding applications

Coarse grit range makes this ideal for aggressive stock removal

Features exceptional resistance to edge wear and clogging

Produces a consistent surface finish quickly

**5" Disk MESH GRIP**

Part Number	Grit	Per Box
MI-AE23205080	80	50 Discs
MI-AE23205012	120	50 Discs
MI-AE23205015	150	50 Discs
MI-AE23205018	180	50 Discs
MI-AE23205025	240	50 Discs
MI-AE23205032	320	50 Discs
MI-AE23205041	400	50 Discs
MI-AE23205061	600	50 Discs
MI-AE23205081	800	50 Discs

**6" Disk MESH GRIP**

Part Number	Grit	Per Box
MI-AE24105080	80	50 Discs
MI-AE24105012	120	50 Discs
MI-AE24105015	150	50 Discs
MI-AE24105018	180	50 Discs
MI-AE24105025	240	50 Discs
MI-AE24105032	320	50 Discs
MI-AE24105041	400	50 Discs
MI-AE24105061	600	50 Discs

**3" Disk MESH GRIP**

Part Number	Grit	Per Box
MI-9A-203-180	180	50 Discs

**5" Disk MESH GRIP**

Part Number	Grit	Per Box
MI-9A-232-120	120	50 Discs
MI-9A-232-180	180	50 Discs
MI-9A-232-220	220	50 Discs
MI-9A-232-240	240	50 Discs

**6" Disk MESH GRIP**

Part Number	Grit	Per Box
MI-9A-241-080	80	50 Discs
MI-9A-241-120	120	50 Discs
MI-9A-241-180	180	50 Discs
MI-9A-241-240	240	50 Discs
MI-9A-241-320	320	50 Discs
MI-9A-241-400	400	50 Discs
MI-9A-241-1000	1000	50 Discs

**8" Disk MESH GRIP**

Part Number	Grit	Per Box
MI-9A-252-120	120	50 Discs
MI-9A-252-180	180	50 Discs
MI-9A-252-240	240	50 Discs

**11" Disk MESH GRIP**

Part Number	Grit	Per Box
MI-9A-262-120	120	50 Discs
MI-9A-262-180	180	50 Discs
MI-9A-262-240	240	50 Discs
MI-9A-262-320	320	50 Discs



**ABRALON®-8A Series**

Combines benefits of abrasive cloth and non-woven products

Constructed of fabric face, foam center and a grip backing

Abrasive grains are bonded evenly to the fabric face

Can be used for dry or wet sanding

Open cell design holds large amounts of water or solvent for lubrication and cooling



**MIRLONTOTAL® -18 Series**

Open design is thinner and more flexible than traditional non-woven pads

Three dimensional structure made with cut fiber strands coated with resin and abrasive

Consistent coating of aluminum oxide (VF 360)

abrasive grains provide uniform, dense scratch pattern

Very flexible, ideal for use on contoured surfaces

**6" Disk VELCRO**

Part Number	Grit	Per Box
MI-8A-241-1000	1000	20 Discs
MI-8A-241-2000	2000	20 Discs
MI-8A-241-4000	4000	20 Discs

**6" Disk GRIP**

Part Number	Grit	Per Box
MI-8A-241-180	180	20 Discs
MI-8A-241-360	360	20 Discs
MI-8A-241-500	500	20 Discs

**9" Disk GRIP**

Part Number	Grit	Per Box
MI-8A-616-180	180	20 Discs

**12" Disk GRIP**

Part Number	Grit	Per Box
MI-8A-618-180	180	20 Discs
MI-8A-618-1000	1000	20 Discs

**6"x 9" MAROON PAD**

Part Number	Grit	Per Box
MI-18-111-447	360	20 Pads



**GOLD PROFLEX-23 Series**  
Designed for hand sanding applications

Aluminum oxide grain provides a good cut and an excellent scratch pattern

Flexible, latex-impregnated backing provides superior conformity in profile sanding

Anti-slip coating on the back side provides a solid grip and feel during sanding

**9"x 11" SHEETS**

Part Number	Grit	Per Box
MI-9X11-80-PRO	80	25 Discs
MI-9X11-100-PRO	100	50 Discs
MI-9X11-120-PRO	120	50 Discs
MI-9X11-150-PRO	150	50 Discs
MI-9X11-180-PRO	180	50 Discs
MI-9X11-220-PRO	220	50 Discs
MI-9X11-320-PRO	320	50 Discs



**HIOLIT XO-57 Series**  
Designed for sanding operations where large amounts of material need to be removed

Suitable for aggressive sanding

Produces high quality results on challenging materials

**3"x 21" BELTS**

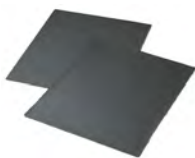
Part Number	Grit	Per Box
MI-3X21-40	40	5 Belts
MI-3X21-50	50	10 Belts
MI-3X21-60	60	10 Belts
MI-3X21-80	80	10 Belts
MI-3X21-100	100	10 Belts
MI-3X21-120	120	10 Belts

**4"x 24" BELTS**

Part Number	Grit	Per Box
MI-4X24-40	40	5 Belts
MI-4X24-50	50	10 Belts
MI-4X24-60	60	10 Belts
MI-4X24-80	80	10 Belts
MI-4X24-100	100	10 Belts
MI-4X24-120	120	10 Belts
MI-4X24-150	150	10 Belts

**3"x 24" BELTS**

Part Number	Grit	Per Box
MI-3X24-40	40	5 Belts
MI-3X24-50	50	10 Belts
MI-3X24-60	60	10 Belts
MI-3X24-80	80	10 Belts
MI-3X24-100	100	10 Belts
MI-3X24-120	120	10 Belts
MI-3X24-150	150	10 Belts



**WET DRY SANDING PAPER 9"x 11"**

Item Number	Grit
3M-51144-02002-7	400
3M-51144-02000-3	600

Used in wet sanding, fine feather-edging or last final sanding step before priming. Use wet or dry for sanding old finishes, fine feather-edging plus surface work. It is a silicon carbide, closed coat product bonded with a waterproof resin.



**SANDBLASTER SANDING SPONGE 20907 GOLD**

**3 3/4" x 2 1/2" x 1"**

Item Number	Grit
3M-51141-40135-5	320

Sanding sponges that are ideal for fine sanding between paint or varnish coats. Comprised of an electro-statically coated, self-sharpening aluminum oxide mineral for increased durability and work life.



**CONTOUR SURFACE SANDING SPONGE**

**4 1/2" x 5 1/2" x 3/8"**

Item Number	Grit
3M-51115-06964-2	220

Ideal for sanding wood, paint, metal, plastic and drywall. The contoured sponge can be used for either dry or wet sanding and can be rinsed and reused. Extremely flexible, soft-back.



### 1950 Siaspeed Hook & Loop No Hole 5" Discs

The SIASpeed product line is characterized by maximizing stock removal while an ingenious stearate coating greatly reduces jamming and clogging of the abrasive. All of this adds up to an abrasive that is an excellent choice for sanding finishes, wood, steel, aluminum, plastics, and body fillers. For wet or dry applications.

Item Number	SIZE/GRIT/QTY
SI-1950-5H&L-120	5" NO HOLE 120 GRIT 100/BOX
SI-1950-5H&L-150	5" NO HOLE 150 GRIT 100/BOX
SI-1950-5H&L-180	5" NO HOLE 180 GRIT 100/BOX
SI-1950-5H&L-80	5" NO HOLE 80 GRIT 100/BOX



### 1950 Siaspeed PSA No Hole 5" & 6" Discs

The SIASpeed product line is characterized by maximizing stock removal while an ingenious stearate coating greatly reduces jamming and clogging of the abrasive. All of this adds up to an abrasive that is an excellent choice for sanding finishes, wood, steel, aluminum, plastics, and body fillers. For wet or dry applications.

Item Number	SIZE/GRIT/QTY
SI-1950-5PSA-100	5" NO HOLE 100 GRIT 100/BOX
SI-1950-5PSA-120	5" NO HOLE 120 GRIT 100/BOX
SI-1950-5PSA-150	5" NO HOLE 150 GRIT 100/BOX
SI-1950-5PSA-180	5" NO HOLE 180 GRIT 100/BOX
SI-1950-5PSA-220	5" NO HOLE 220 GRIT 100/BOX
SI-1950-5PSA-320	5" NO HOLE 320 GRIT 100/BOX
SI-1950-5PSA-80	5" NO HOLE 80 GRIT 100/BOX
SI-1950-6PSA-150	6" NO HOLE 150 GRIT 100/BOX
SI-1950-6PSA-180	6" NO HOLE 180 GRIT 100/BOX
SI-1950-6PSA-220	6" NO HOLE 220 GRIT 100/BOX



### 1960 siarexx cut 9"x11" Sheets

the benchmark on wood, lacquers and paints 1960 siarexx cut is a universal all-round product for manual and portable machine sanding and delivers impressive results in wood and lacquer applications.

#### Advantages

- Universal all-around product for wood and lacquer
- High level of flexibility guarantees trouble-free sanding at corners and edges
- Low clogging
- Good finish properties

#### Applications

- Keying of solid wood
- Intermediate sanding of varnishes on surfaces and curves
- Keying of primers, primer fillers and bodyfillers
- Final sanding as preparation for painting

Item Number	SIZE/GRIT/QTY
SI-1960-9X11-080	9X11 "C" WT 80 GRIT 50/BOX
SI-1960-9X11-100	9X11 "C" WT 100 GRIT 50/BOX
SI-1960-9X11-120	9X11 "B" WT 120 GRIT 50/BOX
SI-1960-9X11-150	9X11 "B" WT 150 GRIT 50/BOX
SI-1960-9X11-220	9X11 "B" WT 220 GRIT 100/BOX
SI-1960-9X11-320	9X11 "B" WT 320 GRIT 100/BOX



### 1913 siawat 9" x 11" Sheets

The very well established product stands out due to its high performance and water resistance. Even if watered for a longer period, it preserves maximum stock removal and lifetime rates.

Item Number	SIZE/GRIT/QTY
SI-1913-9X11-400	9"x11" 400 GRIT 50/BOX
SI-1913-9X11-600	9"x11" 600 GRIT 50/BOX
SI-1913-9X11-800	9"x11" 800 GRIT 50/BOX



### 1919 siawood Belts F weight paper

the universal series for wood and varnish sanding

Item Number	SIZE/GRIT/QTY
SI1919-37X60-080	37X60 80 GRIT 5/BOX
SI1919-37X60-100	37X60 100 GRIT 5/BOX
SI1919-37X60-120	37X60 120 GRIT 5/BOX
SI1919-37X60-150	37X60 150 GRIT 5/BOX
SI1919-37X60-180	37X60 180 GRIT 5/BOX
SI1919-37X60-220	37X60 220 GRIT 5/BOX
SI1919-37X75-080	37X75 80 GRIT 5/BOX
SI1919-37X75-100	37X75 100 GRIT 5/BOX
SI1919-37X75-120	37X75 120 GRIT 5/BOX
SI1919-37X75-150	37X75 150 GRIT 5/BOX
SI1919-37X75-180	37X75 180 GRIT 5/BOX
SI1919-37X75-220	37X75 220 GRIT 5/BOX
SI1919-43X75-100	43X75 100 GRIT 5/BOX
SI1919-43X75-120	43X75 120 GRIT 5/BOX
SI1919-43X75-150	43X75 150 GRIT 5/BOX
SI1919-43X75-180	43X75 180 GRIT 5/BOX
SI1919-43X75-220	43X75 220 GRIT 5/BOX
SI1919-43X85-100	43X85 100 GRIT 5/BOX
SI1919-43X85-150	43X85 150 GRIT 5/BOX
SI1919-43X85-180	43X85 180 GRIT 5/BOX
SI1919-52X75-80	52X75 80 GRIT 5/BOX
SI1919-54X75-120	54X75 120 GRIT 5/BOX
SI1919-54X75-150	54X75 150 GRIT 5/BOX
SI1919-54X75-180	54X75 180 GRIT 5/BOX

### Advantages

- Very even sanding pattern
- Highly adaptable to contours and curves
- Highly water resistant
- May be used wet or dry
- High stock removal with good finish
- The leading wet sanding abrasive for years

### Applications

- Flattening of fillers
- Producing a matt finish on lacquers prior to final lacquering
- Removal of paint runs
- Removal of orange-peel effect and dust inclusions

### Applications

- Flush sanding of edges, edge bands and protrusions
- Calibration, medium and fine sanding of surfaces
- Keying and matting of primers
- Intermediate sanding of varnishes
- Final sanding to prepare for polishing

### Advantages

- Perfect surface thanks to TopTec
- Dust-free process; antistatic construction gives low dust formation on belt, workpiece and machinery
- Universal all-around product for wood and varnish
- Very versatile
- Outstanding performance and long life
- Backing keeps its shape and is unaffected by changes in temperature and humidity





### 2920 siawood x-wt cloth, cotton belts

for optimal performance on softwood 2920 siawood is ideal for belt sanding in plywood and softwood board production, and offers high stock removal rates, long life and excellent finish in coarse to fine sanding applications.

#### Advantages

- Perfect surface finishes thanks to TopTec
- Dust-free process: antistatic construction gives low dust formation on belt, workpiece and machinery
- Suitable for long periods of use thanks to very robust backing and optimised grit spreading technology
- High removal rate when working on softwood and hardwood with coarser grits

#### Applications

- Flush sanding of edges
- Coarse sanding in plywood manufacturing
- Intermediate sanding in plywood manufacturing
- Coarse sanding of laminated softwood panels
- Intermediate sanding of laminated softwood panels
- Fine sanding of laminated softwood panels
- Sanding and removal of paints and lacquers



### 2928 Sialal x-wt cloth, cotton belts

More aggressive than 2920. Flush sanding of edges and rabbets. Fine sanding of surfaces and edges. Coarse to fine sanding in plywood production. Coarse to fine sanding of glued soft/hardwood boards. Sanding off old varnish and paint. Aluminum oxide grain. X weight cotton cloth

#### Advantages

- Semi-friable
- AO X-wt cloth backing
- Sanding on hard and soft woods, steel and composites
- Very good performance and aggressive cut

#### Item Number

SI2920-37X60-080  
SI2920-37X60-100  
SI2920-37X60-120  
SI2920-37X60-150  
SI2920-37X60-180  
SI2920-37X60-220  
SI2920-37X75-080  
SI2920-37X75-100  
SI2920-37X75-120  
SI2920-37X75-150  
SI2920-37X75-180  
SI2920-37X75-220  
SI2920-43X75-100  
SI2920-43X75-120  
SI2920-43X75-150  
SI2920-43X75-180

#### SIZE/GRIT/QTY

37X60 80 GRIT 5/BOX  
37X60 100 GRIT 5/BOX  
37X60 120 GRIT 5/BOX  
37X60 150 GRIT 5/BOX  
37X60 180 GRIT 5/BOX  
37X60 220 GRIT 5/BOX  
37X75 80 GRIT 5/BOX  
37X75 100 GRIT 5/BOX  
37X75 120 GRIT 5/BOX  
37X75 150 GRIT 5/BOX  
37X75 180 GRIT 5/BOX  
37X75 220 GRIT 5/BOX  
43X75 100 GRIT 5/BOX  
43X75 120 GRIT 5/BOX  
43X75 150 GRIT 5/BOX  
43X75 180 GRIT 5/BOX

#### Item Number

SI-2928-3X21-40  
SI-2928-3X21-50  
SI-2928-3X21-60  
SI-2928-3X21-80  
SI-2928-3X24-40  
SI-2928-3X24-60  
SI-2928-3X24-80  
SI-2928-4X24-40  
SI-2928-4X24-60  
SI-2928-4X24-80

#### SIZE/GRIT/QTY

3X21 40 GRIT 10/BOX  
3X21 50 GRIT 10/BOX  
3X21 60 GRIT 10/BOX  
3X21 80GRIT 10/BOX  
3X24 40 GRIT 10/BOX  
3X24 60 GRIT 10/BOX  
3X24 80 GRIT 10/BOX  
4X24 40 GRIT 10/BOX  
4X24 60 GRIT 10/BOX  
4X24 80 GRIT 10/BOX



### Hook & Loop Film Disc

Item Number	Size	Grit
SP-SP1510-0080	3"	80



### Maroon Flocked Back Silicon Carbide Coated Disc

Extremely fast cutting, yet smooth. Great choice for a variety of metals, stainless steel being one of them. Easily removes rust and oxidation. Ideal for deburring, stripping, blending and cleaning.

Item Number	Size	Grit
SP-SPMFD3	3"	320
SP-SPMFD6	6"	320



### 5" SurfPrep Sandpaper Discs (Hook & Loop)

SurfPrep's premium abrasive grain in an open coat construction provides a true, consistent & uniform scratch. Innovative 'load-free' coating provides for a fast rate of cut and longer life.

Item Number	Size	Grit
SP-SPHLL5PB320	5"	320
SP-SPHLL5PB220	5"	220
SP-SPHLL5PB180	5"	180
SP-SPHLL5PB150	5"	150
SP-SPHLL5PB120	5"	120
SP-SPHLL5PB100	5"	100
SP-SPHLL5PB80	5"	80



### 5" SurfPrep Sandpaper Discs (PSA)

SurfPrep's premium abrasive grain in an open coat construction provides a true, consistent & uniform scratch. Innovative 'load-free' coating provides for a fast rate of cut and longer life.

Item Number	Size	Grit
SP-SP5PSALPB320	5"	320
SP-SP5PSALPB220	5"	220
SP-SP5PSALPB180	5"	180
SP-SP5PSALPB150	5"	150
SP-SP5PSALPB120	5"	120
SP-SP5PSALPB100	5"	100
SP-SP5PSALPB80	5"	80



### 6" SurfPrep Sandpaper Discs (Hook & Loop)

SurfPrep's premium abrasive grain in an open coat construction provides a true, consistent & uniform scratch. Innovative 'load-free' coating provides for a fast rate of cut and longer life.

Item Number	Size	Grit
SP-SPHLL6PB320	6"	320
SP-SPHLL6PB220	6"	220
SP-SPHLL6PB180	6"	180
SP-SPHLL6PB150	6"	150
SP-SPHLL6PB120	6"	120
SP-SPHLL6PB100	6"	100
SP-SPHLL6PB80	6"	80



### 6" SurfPrep Sandpaper Discs (PSA)

SurfPrep's premium abrasive grain in an open coat construction provides a true, consistent & uniform scratch. Innovative 'load-free' coating provides for a fast rate of cut and longer life.

Item Number	Size	Grit
SP-SP6PSALPB320	6"	320
SP-SP6PSALPB220	6"	220
SP-SP6PSALPB180	6"	180
SP-SP6PSALPB150	6"	150
SP-SP6PSALPB120	6"	120
SP-SP6PSALPB100	6"	100
SP-SP6PSALPB80	6"	80



### 5" Backup Pads Hook & Loop

Item Number	Size
SP-SPBP5HL	5"



### 5" Backup Pads PSA

Item Number	Size
SP-SPBP5PSA	5"

## Red Aluminum Oxide Foam Pads

are an excellent choice for preparing any surface that requires soft flexibility in order to ride over profiles so as not to cut or burn through lines or finishes. A great choice by cabinet makers who have challenges sanding or polishing the joint location of molding on a miter door. This pad will not load or pill.



### 3" x 4" 10mm Premium Red A/O Foam Pads

Item Number	Size	Scratch
SP-SPRF10R046	3" x 4" 10mm	Coarse + 80
SP-SPRF10R150	3" x 4" 10mm	Very Fine 320-380



### 3" x 4" 5mm Premium Red A/O Foam Pads

Item Number	Size	Scratch
SP-SPRF5R100	3" x 4" 5mm	Fine 220-240
SP-SPRF5R150	3" x 4" 5mm	Very Fine 320-380
SP-SPRF5R180	3" x 4" 5mm	Super Fine 450-500



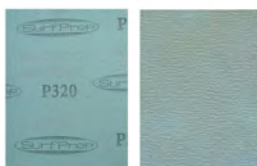
### 3 2/3" x 7" 5mm Premium Red A/O Foam Pads

Item Number	Size	Scratch
SP-SPRF75R060	3 2/3" x 4" 5mm	Medium 120-150
SP-SPRF75R100	3 2/3" x 4" 5mm	Fine 220-240
SP-SPRF75R150	3 2/3" x 4" 5mm	Super Fine 450-500
SP-SPRF75R220	3 2/3" x 4" 5mm	Super Fine + 600-700



### 3" x 4" x 1/2" Premium Red A/O Foam Pads

Item Number	Size	Scratch
SP-SPRFHR060	3" x 4" x 1/2"	Medium 120-150
SP-SPRFHR100	3" x 4" x 1/2"	Fine 220-240
SP-SPRFHR150	3" x 4" x 1/2"	Super Fine 320-380
SP-SPRFHR220	3" x 4" x 1/2"	Super Fine + 600-700



### 3" X 4" SurfPrep Film Sheets (Hook & Loop)

Item Number	Size	Grit
SP-SP8010-0320	3" x 4"	320
SP-SP8010-0220	3" x 4"	220
SP-SP8010-0180	3" x 4"	180
SP-SP8010-0150	3" x 4"	150
SP-SP8010-0120	3" x 4"	120
SP-SP8010-0100	3" x 4"	100
SP-SP8010-080	3" x 4"	80



### 3" X 4" Hook & Loop Backup Pads

Item Number	Size
SP-SPBP3X4	3" x 4"



## TRIMMET SCREWS



Part Number	Description	Size	Finish
AMS-1	Ams Trimmet Screw	1"	Nickel
AMS-1/2FAB	Ams Hinge Screw	½"	Burnished Brass
AMS-1/2-NS	Ams Trimmet Screw	½"	Nickel
AMS-11/2	Ams Trimmet Screw	1½"	Nickel
AMS-11/4	Ams Trimmet Screw	1¼"	Nickel
AMS-11/8	Ams Trimmet Screw	1⅞"	Nickel
AMS-13/4	Ams Trimmet Screw	1¾"	Nickel
AMS-13/4-BREAK	Break Off Screw	1¾"	Nickel
AMS-15/8	Ams Trimmet Screw	1⅝"	Nickel
AMS-2	Ams Trimmet Screw	2"	Nickel
AMS-3/4	Ams Trimmet Screw	¾"	Nickel
AMS-5/8FAB	Ams Hinge Screw	⅝"	Burnished Brass
AMS-7/8	Ams Trimmet Screw	⅞"	Nickel



## FLAT ASSEMBLY SCREWS TYPE 17 w/NIBS

Part Number	Drive Type	Size
SG-11/2PH-FHA	Phillips Drive	#8 x 1½"
SG-11/4PH-FHA	Phillips Drive	#8 x 1¼"
SG-11/4PH-FHA-Z	Phillips Drive	#8 x 1¼"
SG-13/4PH-FHA-Z	Phillips Drive	#8 x 1¾"
SG-15/8PH-FHA	Phillips Drive	#8 x 1⅝"
SG-1PH-FHA	Phillips Drive	#8 x 1"
SG-21/2PH-FHA	Phillips Drive	#8 x 2½"
SG-2PH-FHA	Phillips Drive	#8 x 2"
SG-3PH-FHA	Phillips Drive	#8 x 3"

Part Number	Drive Type	Size
SG-11/2SQ-FHA	Square Drive	#8 x 1½"
SG-21/2SQ-FHA-NS	Square Drive	#8 x 2½"

Part Number	Drive Type	Size
SG-11/2WM-FHA	Combo Drive	#8 x 1½"
SG-11/4WM-FHA	Combo Drive	#8 x 1¼"
SG-13/4-FHA	Combo Drive	#8 x 1¾"
SG-13/4WM-FHA	Combo Drive	#8 x 1¾"
SG-15/8-FHA	Combo Drive	#8 x 1⅝"
SG-1-FHA	Combo Drive	#8 x 1"
SG-1WM-FHA	Combo Drive	#8 x 1"
SG-21/2WM-FHA	Combo Drive	#8 x 2½"
SG-21/4WM-FHA	Combo Drive	#8 x 2¼"
SG-2WM-FHA	Combo Drive	#8 x 2"
SG-3-FHA	Combo Drive	#8 x 3"
SG-3WM-FHA	Combo Drive	#8 x 3"

## DRYWALL SCREWS



Part Number	Description	Size
DR-11/2-G	Grabber Drywall Screws	1½"
DR-11/4-G	#6 Grabber Drywall Screws	1¼"
DR-15/8-G	#6 Grabber Drywall Screws	1⅝"
DR-1-G	#6 Grabber Drywall Screws	1"
DR-2-1/2-DACRO-S	#8x2-½ Dacro Screw	2½"
DR-21/2-G	#8 Grabber Drywall Screws	2½"
DR-21/2-R*NS	#7 Regular Drywall Screws	2½"
DR-21/4-G	#6 Grabber Drywall Screws	2¼"
DR-2-G	#6 Grabber Drywall Screws	2"
DR-3-G	#8 Grabber Drywall Screws	3"



## HEX HEAD DRAW BOLTS

Part Number	Description	Size	Finish
DR_LOCK_UP	Draw Bolt	¼-20 x 3-½	Zinc



## LARGE ROUND WASHER SCREWS

Part Number	Size
SG-11/2-WSHR	#8 X 1½"
SG-11/4-WSHR	#8 X 1¼"
SG-1-WSHR	#8 X 1"



## FACE FRAME SQUARE DRIVE SCREWS

Part Number	Description	Size
SG-11/2C-FRAMEPN	Flat Pan Head Coarse Thread	#7 x 1½"
SG-11/2-FRAMEPN	Flat Pan Head HI-LO Thread	#7 x 1½"
SG-11/4C-FRAMEPN	Flat Pan Head Coarse Thread	#7 x 1¼"
SG-11/4-FRAMEPN	Flat Pan Head HI-LO Thread Type 17	#7 x 1¼"



## FACE FRAME WASHER HEAD SCREWS

Part Number	Description	Size
SG-11/2-FRAMERWH	Round Washer Head Coarse Thread	#8 x 1½"
SG-11/2R-FRAMERWH	Round Washer Head Fine Thread	#7 x 1½"
SG-11/4-FRAMERWH	Round Washer Head Coarse Thread	#8 x 1¼"
SG-11/4R-FRAMERWH	Round Washer Head Fine Thread	#7 x 1¼"



## CABINET INSTALATION SCREWS

Part Number	Discription	Size
SG-21/2-CI	Round Washer Head Combo Drive	#10 x 2 1/2"
SG-3-CI-NS	Round Washer Head Combo Drive	#10 x 3"



## PIANO HINGE SCREWS



Part Number	Finish	Size
HE-5-BR	Bright Brass	5 x 5/8"
HE-5-NI	Nickel	5 x 5/8"



## WOOD SCREWS

Part Number	Head DIA	Length	Head
BL-606	#6	16	#2 POZI
BL-6062	#6	13	#2 Phillips
BL-6064	#6	19	#2 Phillips
BL-707	#7	16	#2 Phillips
BL-7074	#7	19	#2 Phillips



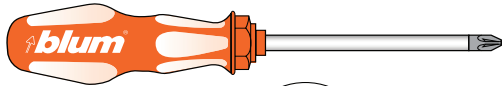
## PANHEAD SCREWS

Part Number	Head DIA	Length	Head
BL-834TH	#8	19	#2 Phillips
BL-1034	#10	19	#2 Phillips



## SYSTEM SCREWS

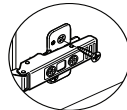
Part Number	Head DIA	Length	Head
BL-6611000	#5	10	#2 POZI
BL-6611150	#5	11.5	#2 POZI
BL-6611300	#5	13	#2 POZI
BL-6611450	#5	14.5	#2 POZI
BL-6612000	#5	20	#2 POZI
BL-661250	#5	25	#2 POZI



## POZI DRIVER

Part Number  
POZI-SCREWDRIVER

A POZI screwdriver is the most crucial tool you can use to assure that full torque is applied to all Blum adjustment screws.



Tick marks

## MAGNETIC BIT HOLDER

For 1" Inserts



Part Number	Description	Size
SG-MAGHOLD	Magnetic Bit Holder for 1" Inserts	3"

## DRIVERS & INSERT BITS

Part Number	Drive Type	Size
SG-PH1-1	Phillips Drive	#1 X 1
SG-PH2-1	Phillips Drive	#2 X 1
SG-SQ2-1	Square Drive	#2 X 1
SG-SQ2-6	Square Drive	#2 X 6



## DOWEL SCREWS

Part Number	Head DIA	Length	Head
BL-608120005	#6	12.7	#2 POZI



## DOWEL

Part Number	Head DIA	Length
BL-700532	#8	10



## TRUSS PHILLIPS DRIVE SCREW

Part Number	Discription	Size
FT-SCREW-ZINC	for Fulterer Ballbearing	#8 x 1/2"



## TRUSS SCREWS

Part Number	Head DIA	Length	Head
BL-612TH-100	#6	12.7	Phillips

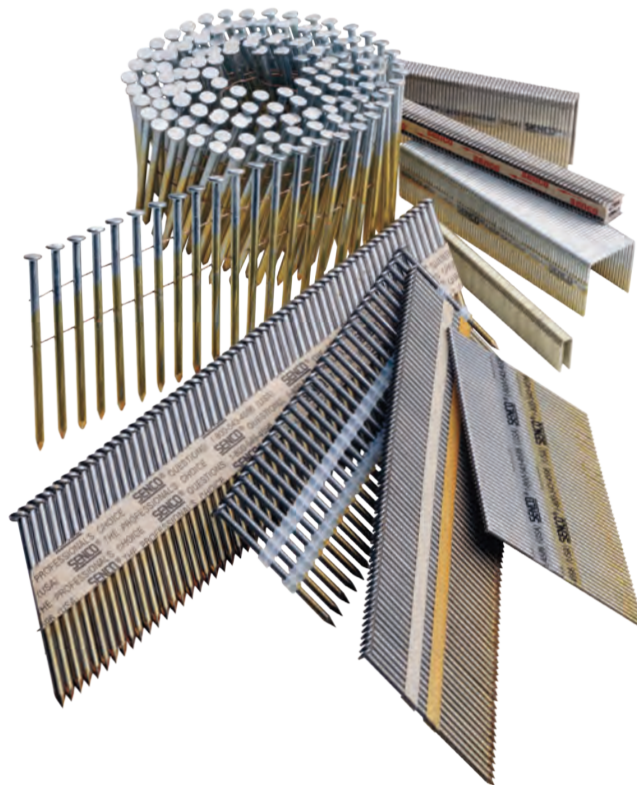


## TORX DRIVER

Part Number  
BL-SR-DREH-TORX

Torx T20 Screwdriver. Originally designed for LEGRABOX adjustments, the T20 TORX DRIVER has many uses on BLUM products.

<b>23GA Headless Straight Strip Pins</b> Pins fasten the smallest of trim securely leaving a nearly invisible hole		.0267"
<b>Part Number</b>	<b>Length</b>	
SEN-CZ10EAAN	5/8"	
SEN-A100509	1/2"	
SEN-A100629	5/8"	
SEN-A100759	3/4"	
SEN-A101009	1"	
SEN-A101509	1 1/2"	
<b>15<sup>3/4</sup>GA Angled Strip Finish Nails</b> Furniture and cabinets, molding and trim, baseboard, chair rails, doors and window casings		.072"
<b>Part Number</b>	<b>Length</b>	
SEN-DA15EPBN	1 1/4"	
SEN-DA19EPBN	1 3/4"	
SEN-DA21EPBN	2"	
<b>18GA Straight Strip Brad Nails</b> Cabinets, decorative trim, picture frames and molding		.0468"
<b>Part Number</b>	<b>Length</b>	
SEN-AX10EAA	5/8"	
SEN-AX11EAA	3/4"	
SEN-AX13EAA	1"	
SEN-AX15EAA	1 1/4"	
SEN-AX18EAA	1 5/8"	
SEN-AX21EAA	2"	
<b>18GA Headless Brad Nails</b> Cabinets, decorative trim, picture frames and molding		.0468"
<b>Part Number</b>	<b>Length</b>	
SEN-AZ08EAA	1/2"	
<b>18GA Slight Head Brad Nails</b> Cabinets, decorative trim, picture frames and molding		.0468"
<b>Part Number</b>	<b>Length</b>	
SEN-AY10EAA	5/8"	
SEN-AY13EAA	1"	
<b>18GA 3/8" Crown Medium Wire Staples</b> Cabinets, casebacks, drawers, upholstery, soffits, underlayment, lattice & insulation sheathing		3/8"
<b>Part Number</b>	<b>Length</b>	
SEN-M11BRBN	3/4"	
<b>20GA 1/2" Crown Fine Wire Staples</b> Upholstery, felt, insulation and casebacks		1/2"
<b>Part Number</b>	<b>Length</b>	
SEN-F08BAAP	1/2"	
<b>18GA 1/4" Crown Medium Wire Staples</b> Cabinets, casebacks, drawers, upholstery, soffits, underlayment, lattice & insulation sheathing		1/4"
<b>Part Number</b>	<b>Length</b>	
SEN-L13BRBN	1"	
SEN-L14BRB	1 1/8"	
SEN-L15BRB	1 1/4"	
SEN-L08BAB	1/2"	
SEN-L10BABN	5/8"	
SEN-L11BAB	3/4"	
SEN-L12BAB	7/8"	
SEN-L17BAB	1 1/2"	





**SP-CAT-TJR-GLZKI**

TJR, 1.2 NEEDLE / NOZZLE, ROUND & GLAZE NOZZLE SETUPS, STANDARD AIR CAP, 150ML ALUMINUM & 125ML PLASTIC CUP, TOOLS, CASE



**SP-CAT-CP-J100H**

J100H, 4 NEEDLE / NOZZLE SETUPS, 2 AIR CAPS, ALUMINUM CUP, TOOLS, CASE



**SP-CAT-X(COLOR)**

CAT-X-F, 3 NEEDLE / NOZZLE SETUPS, 2 AIR CAPS, MED PPS CUP, 3 LIDS / LINERS, TOOLS, CASE



**SP-CAT-CP-FELCFM**

CPR-FE, 3 NEEDLE / NOZZLE SETUPS, 2 AIR CAPS, TOOLS, CASE



**SP-CAT-CPR-G-W**

CPR-G, 4 NEEDLE / NOZZLE SETUPS, 2 AIR CAPS, ALUMINUM CUP, TOOLS, CASE

**Air Fitting**

Item Numbers	Description
SP-CAT-53-570	QUICK DISCONNECT BODY W/1/4 NPT FEMALE
SP-CAT-53-572	QUICK DISCONNECT
SP-CAT-53-573	QUICK DISCONNECT STEM W/1/4 MALE
SP-CAT-53-575	NEW Q/D BODY W 1/4 NPT FEMALE
SP-CAT-53-576	NEW Q/D STEM W/ 1/4 NPT MALE
SP-CAT-53-577	NEW Q/D STEM W/ 1/4 NPT FEMALE
SP-CAT-53-578	QUICK DISCONNECT SYS 1/4" NPT MALE
SP-CAT-53-591	1/4 NPT FEMALE TO #5 JIC MALE FITTING
SP-CAT-53-592	1/4 NPS FITTING TO #5 JIC FEMALE

**Air Hoses**

Item Numbers	Description
SP-CAT-53-113-15	3/8 X 15' AIR HOSE ASSEMBLY
SP-CAT-53-113-25	3/8 AIR HOSE ASSY - 25'
SP-CAT-53-112-10	5/16 X 10' AIR HOSE ASSEMBLY
SP-CAT-53-112-15	5/16 X 15' AIR HOSE ASSEMBLY
SP-CAT-53-112-25	5/16 AIR HOSE ASSY.
SP-CAT-53-112-5	5/16 AIR HOSE ASSY (5 FT)
SP-CAT-53-112-50	5/16 AIR HOSE ASSEMBLY (50')

**Pressure Tanks**



**Item Number**  
SP-CAT-51-202

**Description**  
2 1/2 Gallon Pressure Tank  
with Dual Regulators

The 2.5 gallon non-ASME tank from C.A.T. is constructed of heavy gage steel. The tank has wheels for maneuverability or optional stationary feet. All 2.5 gallon tanks come with a ridged liner.

**Bandit**



**Item Number**  
SP-CAT-51-600  
SP-CAT-51-602

**Description**  
Bandit 2 Quart Cup - 1 Regulator  
Bandit 2 Quart Cup with Dual Regulator

The 2 QT. BANDIT from CAT is by far the best 2 QT. in the industry today at the right price. The band clamp offers 360 degrees of sealing pressure with the turn of a knob. No threads to stick and no multiple lid clamps to turn. Comes with a ridged liner for quick color change and cleaning. The underside of the lid fittings and pickup tube are all 300 series stainless steel and comes with a splash guard so you don't have to worry about waterborne materials or corrosion. The wide opening makes filling a snap. The BANDIT offers all the features you need in a 2 quart. It's a great all around value.

**Filters & Dryers**

Item Number	Description
SP-CAT-55-522	FILTER/COELESCEER 1 REGULATOR/2 VALVES
SP-CAT-52-511	FILTER/ONE REGULATOR
SP-CAT-52-512	FILTER 1REG AND MAIN LINE BLOWOFF
SP-CAT-52-513	FILTER 2 REG AND MAIN LINE BLOWOFF
SP-CAT-52-515	FILTER W/EYE GAUGE AND AUTO DRAIN
SP-CAT-52-531	FILTER/DRYER 1REG.
SP-CAT-52-533	MINI DESICCANT DRYER
SP-CAT-52-551	REPLACEMENT CARTRIDGE
SP-CAT-52-553	REPLACEMENT CARTRIDGE FILTER/COALESCER
SP-CAT-52-554	REPLACE CARTRIDGE FILTER/DRYER (1ST STG)
SP-CAT-52-555	2ND STAGE REPLACMENT CARTRIDGE





## The Rotex RO 150 FEQ Sander

**Part Number FES-571810**

Dual-Mode Sanding with a gear-driven, aggressive mode for rapid stock removal or polishing and random orbital mode for fine sanding.

Jetstream dust extraction design delivers highly efficient dust removal, resulting in cleaner air, better finishes, and longer abrasive and pad life.

FastFix tool-free backing pad changing system allows the sander to adapt to different surfaces and tasks with appropriate pads.

Compact Size with a compact form and a 6" pad, the RO 150 delivers performance to even the tightest of places.



## TS 55 REQ Track Saw

**Part Number FES-561556**

When used with Festool guide rails, you can achieve perfectly straight and splinter-free cuts.

Spring-loaded riving knife (splitter) keeps the cut kerf open so that the material does not pinch the blade. This reduces the chance of kickback.

Blade changes are easier and safer using the FastFix system which locks switch and arbor simultaneously for easy arbor bolt removal



## FS 1400 Guide Rail

**Part Number FES-496939**

Multiple guide rails can be connected creating an endless length of track for cuts of any needed length.

Use your track saw, router or jig saw

Connect multiple rails for expanded capability (limitless)

Non skid strips underneath the rail prevent sliding during setup and cutting

Compatible with clamps

Guaranteed splinter free cuts



## OF 1010 EQ Router

**Part Number FES-574339**

Small in size, but big on performance. The ergonomics and precision features of the OF 1010 EQ deliver a host of benefits which add up to an unbeatable tool. One-handed operation allows you to switch it on and off, plunge, cut and release with ease. The compact design and the efficient center of gravity make this tool extremely maneuverable. Its micro-adjustable depth control is accurate to 1/256" (1/10 mm). The OF 1010 EQ is also the lightest router of its kind—a real plus on extended projects. This, on top of enough power for all 1/4" and 8mm bits.



**5" DEROS Orbital Sander**  
**Part Number MI-MID55020CAUS**

Mirka 5" DEROS 550X CV 125mm Vacuum Orbit 5,0 Case the first ever electric sanding machine with a brushless motor and no external power supply.



**3" x 4" Sander**  
**Part Number SP-SPE340001-1**

3" x 4" Electric Sander offers a compact footprint designed to sand into tight areas and corners effortlessly



**5" Electric Ray Sander**  
**Part Number SP-SPE5HL316**

5" Electric Surge 3/16" Sander (Hook & Loop Backup Pad) Central Vacuum



**3 2/3" X 7" Orbital Sander**  
**Item Number SP-SP470002**

3-2/3" X 7" 10,000 RPM Orbital Sander (Hook & Loop Backup Pad) large footprint is perfect for sanding large/flat surface areas where round sanders do not fit.



**12' Air Hose with Swivle**  
**Part Number SP-SP12H**

Air Hose is oil resistant. Lubricate with 2 drops of oil every 6-8 hours to maintain the tool.



**Sanding System Suitcase Kit**  
**Part Number SP-SPSS-3X4-KIT**

3" X 4" Electric Surge Sanding System Kit Each kit comes with a SurfPrep Sander, 12' Air Hose, Variety Packs of both Foam & Film as well as specialized accessories.



# YOU ARE AT RISK

**1 INJURY EVERY 9 MINUTES  
10 AMPUTATIONS EVERY DAY**

Table saw injuries have life-changing consequences:

- Extreme pain and trauma
- Loss of income-earning abilities
- Loss of ability to pursue hobbies
- Regret that lasts a lifetime



*Typical SawStop finger save.*

**THOUSANDS OF FINGERS SAVED.  
AND COUNTING...**

**PROTECT YOURSELF**

FROM THE MAKERS OF NORTH AMERICA'S #1 CABINET SAW



**STOPS  
ON CONTACT  
WITH SKIN**



10" JOBSITE SAW 1.5HP  
SS-JSS-MCA



The SawStop Jobsite Saw unites SawStop Safety and pioneering innovation with compact portability.

SawStop Technology: Over a Decade Proven  
Thousands of Fingers Saved



**ULTIMATE SAFETY. MAXIMUM PERFORMANCE. ULTRA-PORTABLE.**



**18GA SLS18Mg**

1/4" Crown, 1 5/8" Medium Wire Stapler  
**Part Number SEN-SLS18MG**

**Features**

- Ultra-lightweight.
- Metal cylinder for increased durability
- Reload indicator on magazine
- Includes case, swivel air plug and wrench



**18GA SLP20XP**

1 5/8" Brad Nailer  
**Part Number SEN-SLP20XP**

**Features**

- Never-Lube® design no oil required
- Drives both slight and medium headed brads
- Muffler ensures quieter operation
- Includes case



**18GA SLS25XP-L**

1/4", 1/2" Crowns, 1 1/2" Medium Wire Stapler  
**Part Number SEN-SLS25XP-L**

**Features**

- Never-Lube® design. No oil required.
- Ultra-lightweight.
- Metal cylinder for increased durability.
- Muffler ensures quieter operation.

# FROM **START** TO **FINISH**



We Have **YOU** Covered!





# COMPI DISTRIBUTORS, INC.

*“Your One Stop Shop”*

www.compidistributors.com  



**St. Louis, Missouri**  
2855 Haag Road  
Arnold, MO 63010

P: 636.296.1111  
1.800.333.4891  
F: 636.296.1411



**Springfield, Illinois**  
6387 Canadian Cross Drive  
Springfield, IL 62711

P: 217.529.5553  
1.800.554.5527  
F: 217.529.6955



**Kansas City, Missouri**  
5900 Equitable Road  
Kansas City, MO 64120

P: 816.228.9998  
1.888.857.9588  
F: 816.228.9989



**Ozark, Missouri**  
2160 Industrial Court  
Ozark, MO 65721

P: 417.986.1222  
F: 417.551.4880